



SG2 Smart PLC USER Manual



SG2 Programmable Logic Smart Relay

4KA72X024 Version: 05 2012.07.31

0086-0510-8522-7555

Apply to: SG2 firmware version 3.6,

www.taian-technology.com

PC client program software version 3.4

Contents

Contents.....	I
Summary of changes.....	V
Chapter 1: Getting Started.....	1
Examination before Installation	3
Environmental Precautions	3
SG2 Model Identification.....	3
Quick Start Setup	4
Install SG2 Client Software	4
Connect Power to SG2 smart relay	4
Connect Programming Cable	5
Establish Communication	5
Write simple program.....	6
Chapter 2: Installation.....	10
General Specifications	11
Product Specifications.....	14
Mounting.....	15
Wiring	17
K type Indicator Light.....	19
Chapter 3: Program Tools	20
PC Programming Software “SG2 Client”	21
Installing the Software	21
Connecting the Software	21
Start Screen	21
Ladder Logic Programming Environment	22
Menus, Icons and Status Bar	23
Programming.....	24
Simulation Mode.....	25
Establish Communication	25
Writing Program to smart relay.....	26
Online Monitoring/Editing	27
Operation menu	28
HMI/TEXT.....	29
Program Documentation	33
Analog Output Set.....	35
3-Row/5-Row.....	36
Data Register Set.....	37
View menu	39
FBD Programming Environment	40
Menu, Icons and Status Bar.....	40
Programming.....	41
Simulation Mode.....	42
Online Monitoring/Editing	42
Symbol and Parameters list.....	43
Memory Cartridge (sold separately)	45

LCD Display and Keypad	46
Keypad	46
Original Screen	47
LCD Display Main Menu.....	50
RTC Daylight saving setting	55
SG2 system error	59
Chapter 4: Parameter passing.....	60
SG2 inner data type.....	61
Passing parameter out of range	63
Chapter 5: Relay Ladder Logic Programming	65
Common Memory Types.....	66
Specialty Memory Types.....	69
Output Instructions.....	70
Analog memory type.....	71
Timer Instruction.....	72
Counter Instructions	80
Real Time Clock (RTC) Instructions	90
Comparator Instructions.....	98
HMI Display Instructions.....	100
PWM Output Instruction (DC Transistor Output Models Only).....	103
IO Link/Remote I/O Instruction (SG2-20Vxxx model only).....	106
MU (Modbus) (SG2-20Vxxx model only)	109
SHIFT (shift output).....	116
AQ (Analog Output)	117
AS (Add-Subtract)	119
MD (MUL-DIV)	120
PID (Proportion- Integral- Differential).....	121
MX (Multiplexer).....	125
AR (Analog-Ramp).....	126
DR (Data register).....	130
Chapter 6: Function Block Diagram Programming	132
FBD Instructions	133
FBD system memory space.....	134
Analog.....	136
Analog Input	136
Analog Output.....	137
Coil Block Instruction.....	138
HMI.....	139
PWM function block (only transistor output version).....	140
IO Link function block.....	142
SHIFT function block	144
Logic Block Instructions	145
AND Logic Diagram.....	145
AND (EDGE) Logic Diagram	145
NAND Logic Diagram.....	146
NAND (EDGE) Logic Diagram.....	146
OR Logic Diagram.....	146
NOR Logic Diagram.....	147

XOR Logic Diagram	147
SR Logic Diagram	147
NOT Logic Diagram	147
Pulse Logic Diagram.....	148
BOOLEAN Logic Diagram	148
Function Block.....	149
Timer Function Block	150
Common Counter function block.....	158
High Speed Counter Function Block (DC Version Only)	164
RTC Comparator Function Block	166
Analog Comparator Function Block	171
AS (ADD-SUB) function block.....	174
MD (MUL-DIV) function block	175
PID (Proportion- Integral- Differential) function block.....	176
MX (Multiplexer) function block.....	177
AR (Analog-Ramp) function block.....	178
Example:	181
DR (Data-Register) function block	182
MU (Modbus) function block	183
Chapter 7: Hardware Specification	189
Normal Specification	190
Product Specifications.....	191
Power Specifications.....	192
Normal model machine Specifications	192
12V DC model Specifications.....	193
24V AC model Specifications	193
Power circuitry diagram.....	194
Input Specifications.....	195
100~240V AC model	195
24V AC model	195
24V DC, 12 I/O model.....	196
24V DC, 20 I/O model.....	197
12V DC, 12 I/O model.....	198
12V DC, 20 I/O model.....	199
Output Specifications	200
Output Port wiring notice.....	200
Light Load.....	200
Inductance Load.....	201
Life of relay.....	201
Size diagram of SG2	202
Chapter 8: 20 Points RS485 type Models Instruction	203
Communication function.....	204
Detail instruction.....	206
Remote IO function.....	206
IO Link Function.....	207
MU instruction (Modbus RTU master).....	209
Modbus RTU slave function	211
SG2 Modbus protocol	211

Chapter 9: Expansion Module.....	213
Summarize	214
Digital IO Module.....	218
Analog Module	222
Analog Input Module 4AI.....	222
Temperature Input Module 4PT	223
Analog Output Module 2AO.....	224
Communication Module	226
MBUS Module	226
DNET Module.....	229
PBUS Module	232
EN01 (TCP/IP) Module	235
GSM Module.....	241
Appendix: Keypad Programming	246
Appendix A: Keypad programming in Ladder mode.....	247
Appendix B: Keypad programming in Ladder FUNCTION BLOCK.....	251

Summary of changes

This user manual is modified by firmware V3.0 and SG2 Client programming software V3.0. SG2 V3.0 adds some new functions with firmware version V3.0 to strong SG2 function. The upgrade content is shown as the 2 tables below simply. More information about idiographic function to see function instruction.

Edit and Display

	SG2 V3.0	SG2 V2.x
Ladder	300 lines	200 lines
FBD	260blocks	99blocks
LCD	4 lines * 16 characters	4 lines * 12 characters

Contact and function block

	input	output	SG2 V3.0	SG2 V2.x
Auxiliary relay M	M	M	63(M01~M3F)	15(M1~MF)
Auxiliary relay N	N	N	63(N01~N3F)	Ladder: NO FBD: 15(N1~NF)
temperature input	AT		4(AT01~AT04)	NO
analog output		AQ	4(AQ01~AQ04)	NO
PWM		P	2(P01~P02, P01 adds PLSY mode)	1(P1: PWM)
HMI			31(H01~H1F)	15(H1~HF)
Timer	T	T	Ladder: 31(T01~T1F) FBD: 250(T01~TFA)	15(T1~TF)
Counter	C	C	Ladder: 31(C01~C1F) FBD: 250(C01~CFA)	15(C1~CF)
RTC	R	R	Ladder: 31(R01~R1F) FBD: 250(R01~RFA)	15(R1~RF)
Analog Comparator	G	G	Ladder: 31(G01~G1F) FBD: 250(G01~GFA)	15(G1~GF)
AS(Add-Sub)			Ladder: 31(AS01~AS1F) FBD: 250(AS01~ASFA)	NO
MD(Mul-Div)			Ladder: 31(MD01~MD1F) FBD: 250(MD01~MDFA)	NO
PID			Ladder: 15(PI01~PI0F) FBD: 30(PI01~PI1E)	NO
MX(Multiplexer)	NO	NO	Ladder: 15(MX01~MX0F) FBD: 250(MX01~MXFA)	NO
AR(Analog Ramp)			Ladder: 15(AR01~AR0F) FBD: 30(AR01~AR1E)	NO
DR(Data Register)			240(DR01~DRF0)	NO
MU(MODBUS)			Ladder: 15(MU01~MU0F) FBD: 250(MU01~MUFA)	NO
Block	B	B	Logic function: BOOLEAN 260(B001~B260)The capability of each block is alterable, and the total capability of block is 6000bytes	99(B01~B99)The capability of each block is fixed
PM05(3rd)			PM05(3rd) can be used with all version of SG2	PM05 can not be used with SG2 V3.x

Chapter 1: Getting Started

Examination before Installation.....	3
Environmental Precautions.....	3
SG2 Model Identification	3
Quick Start Setup.....	4
Install SG2 Client Software	4
Connect Power to SG2 smart relay.....	4
Connect Programming Cable.....	5
Establish Communication.....	5
Write simple program	6

The SG2 tiny smart Relay is an electronic device. For safety reasons, please carefully read and follow the paragraphs with "WARNING" or "CAUTION" symbols. They are important safety precautions to be aware of while transporting, installing, operating, or examining the SG2 Controller.



WARNING: Personal injury may result from improper operation.



CAUTION: The SG2 smart relay may be damaged by improper operation.

Precaution for Installation



Compliance with the installation instructions and the user manual is absolutely necessary. Failure to comply could lead to improper operation, equipment damage or in extreme cases even death, serious bodily injury or considerable damage to property.



When installing the open-board models, insure that no wiring or foreign materials can fall into the exposed circuits and components. Damage to equipment, fire, or considerable damage to property could result.



Always switch off power before you wire, connect, install, or remove any module.



The wiring for the SG2 smart relay is open and exposed. For the open-board models, all electrical components are exposed. For this reason, it is recommended the SG2 smart relay be installed in an enclosure or cabinet to prevent accidental contact or exposure to the electrical circuits and components.



Never install the product in an environment beyond the limits specified in this user manual such as high temperature, humidity, dust, corrosive gas, vibration, etc.

Precaution for Wiring



Improper wiring and installation could lead to death, serious bodily injury or considerable damage to property.



The SG2 smart relay should only be installed and wired by properly experienced and certified personnel.



Make sure the wiring of the SG2 smart relay meets all applicable regulations and codes including local and national standards and codes.



Be sure to properly size cables for the required current rating.



Always separate AC wiring, DC wiring with high-frequency switching cycles, and low-voltage signal wiring.

Precaution for Operation



To insure safety with the application of the SG2 smart relay, complete functional and safety testing must be conducted. Only run the SG2 after all testing and confirming safe and proper operation is complete. Any potential faults in the application should be included in the testing. Failure to do so could lead to improper operation, equipment damage or in extreme cases even Death, serious bodily injury or considerable damage to property.



When the power is on, never contact the terminals, exposed conductors or electrical components. Failure to comply could lead to improper operation, equipment damage or in extreme cases even death, serious bodily injury or considerable damage to property.




It is strongly recommended to add safety protection such as an emergency stop and external interlock circuit in case the SG2 smart relay operation must be shut down immediately.

Examination before Installation

Every SG2 smart relay has been fully tested and examined before shipment. Please carry out the following examination procedures after unpacking your SG2 smart relay.

- Check to see if the model number of the SG2 matches the model number that you ordered.
- Check to see whether any damage occurred to the SG2 during shipment. Do not connect the SG2 smart relay to the power supply if there is any sign of damage.

Contact  if you find any abnormal conditions as mentioned above.

Environmental Precautions

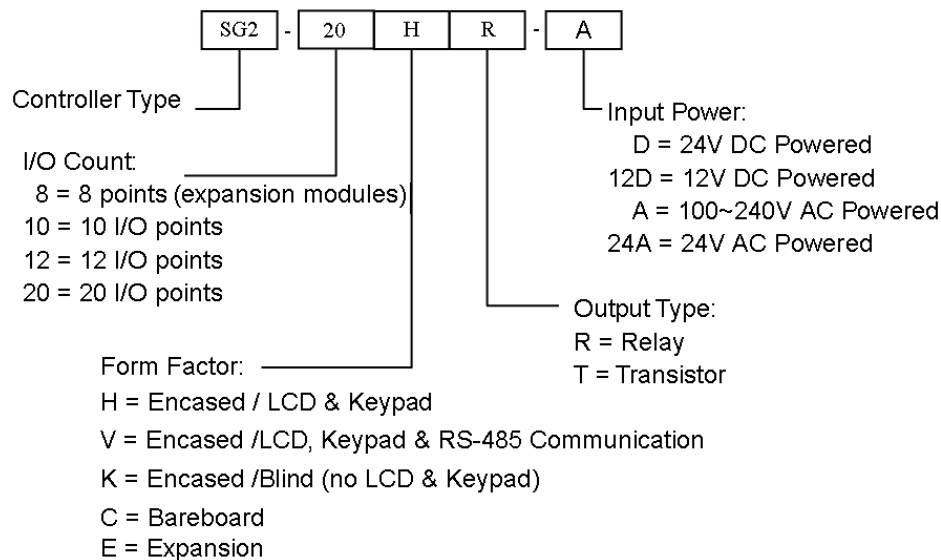
The installation site of the SG2 smart relay is very important. It relates directly to the functionality and the life span of your SG2. Please carefully choose an installation site that meets the following requirements:

- Mount the unit vertically
- Environment temperature: -4°F - 131°F (-20°C - 55°C)
- Avoid placing SG2 close to any heating equipment
- Avoid dripping water, condensation, or humid environment
- Avoid direct sunlight
- Avoid oil, grease, and gas
- Avoid contact with corrosive gases and liquids
- Prevent foreign dust, flecks, or metal scraps from contacting the SG2 smart relay
- Avoid electric-magnetic interference (soldering or power machinery)
- Avoid excessive vibration; if vibration cannot be avoided, an anti-rattle mounting device should be installed to reduce vibration.

Disclaim of Liability

We have reviewed the contents of this publication to ensure consistency with the hardware and software described. Since variance cannot be precluded entirely, we cannot guarantee full consistency. However, the information in this publication is reviewed regularly and any necessary corrections are included in subsequent editions.

SG2 Model Identification

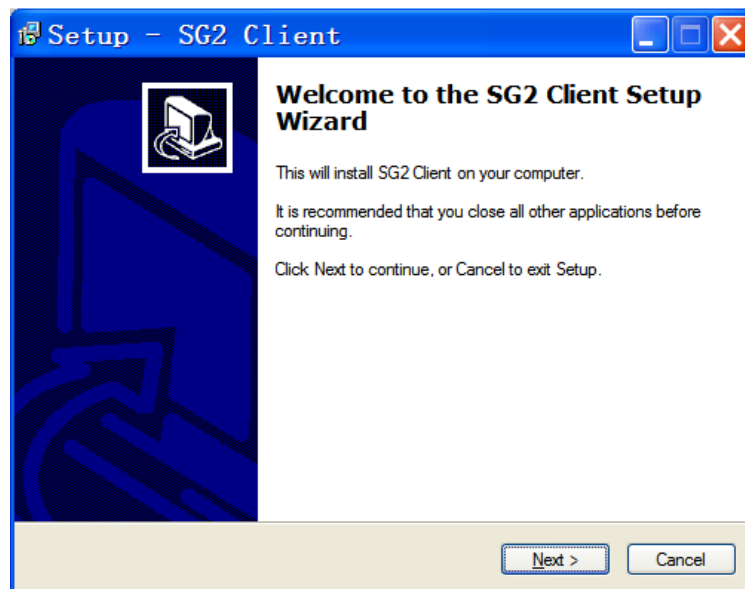


Quick Start Setup

This section is a simple guide for connecting, programming and operating your new SG2 smart relay. This is not intended to be the complete instructions for programming and installation of your system. Refer to other sections in the manual for more detailed information.

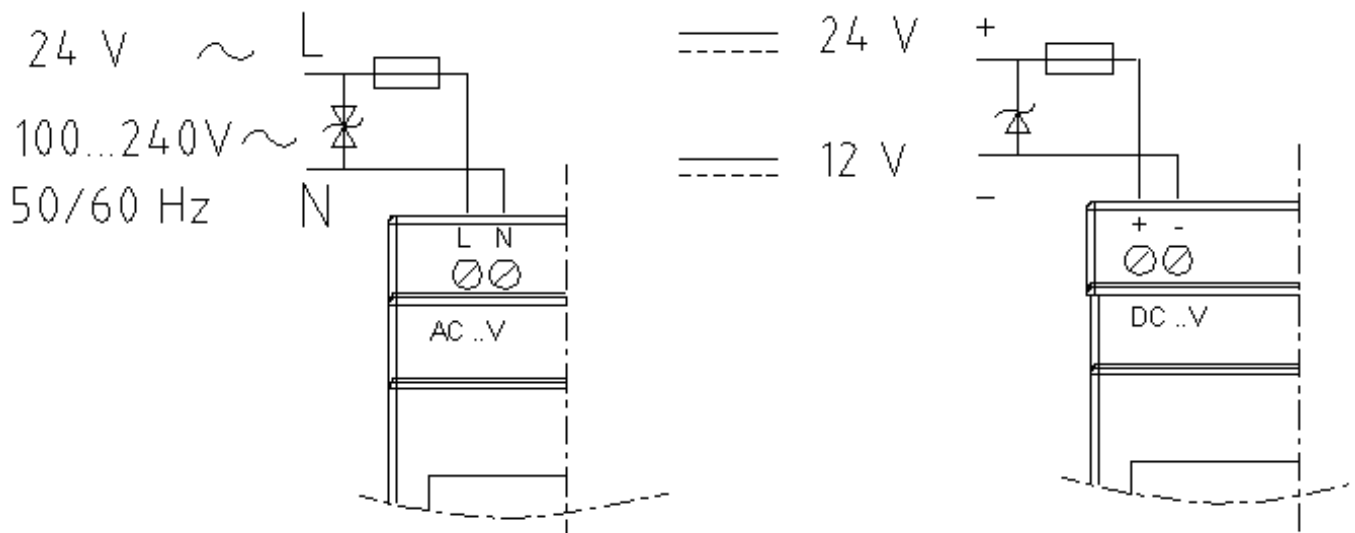
Install SG2 Client Software

Install the SG2 Client Software from CD or from the free internet download at www.taian-technology.com



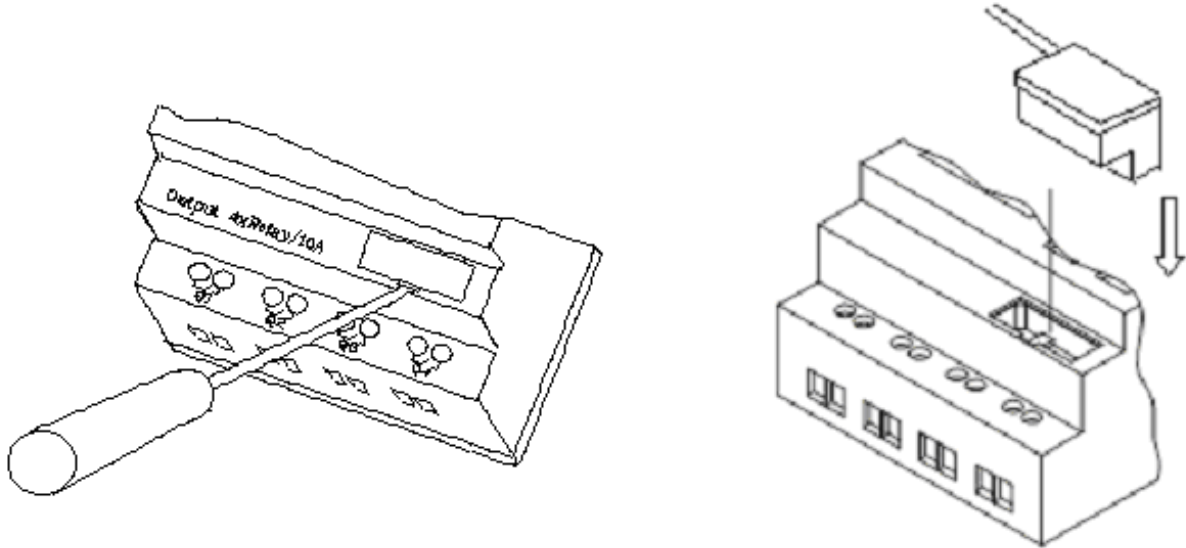
Connect Power to SG2 smart relay

Connect power to the Smart Relay using the below wiring diagrams for AC or DC supply for the applicable modules. See “[Chapter 2: Installation](#)” for complete wiring and installation instructions.



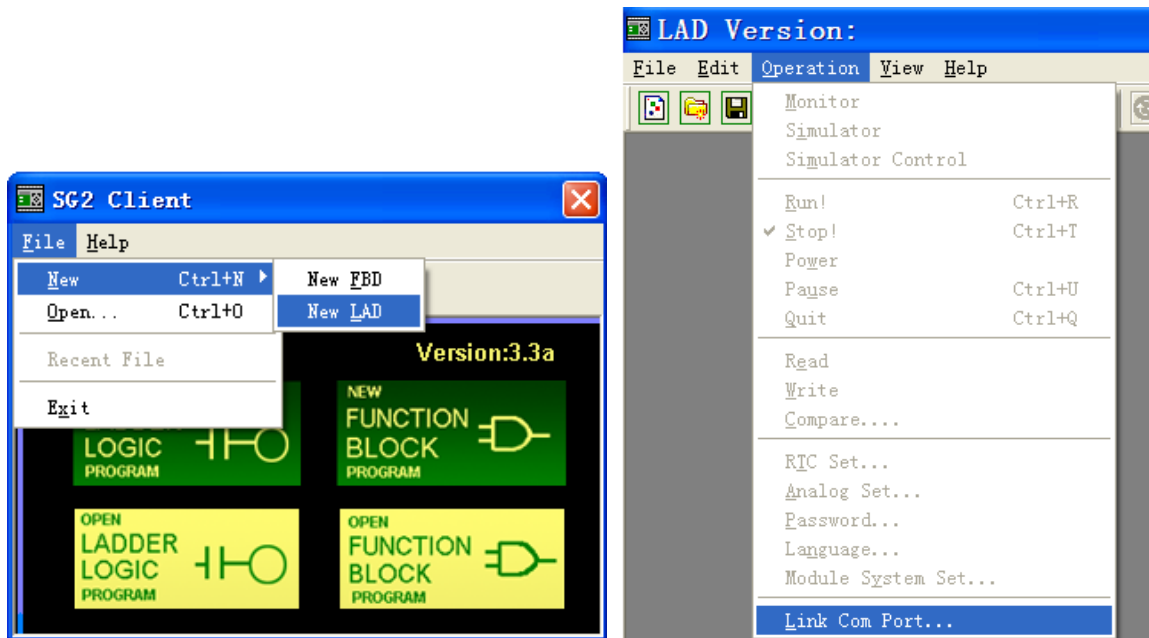
Connect Programming Cable

Remove the plastic connector cover from the SG2 using a flathead screwdriver as shown in the figure below. Plug in the plastic connector end of the programming cable into the SG2 smart relay as shown in the figure below. Connect the opposite end of the cable to an RS232 serial port or USB port on the computer.

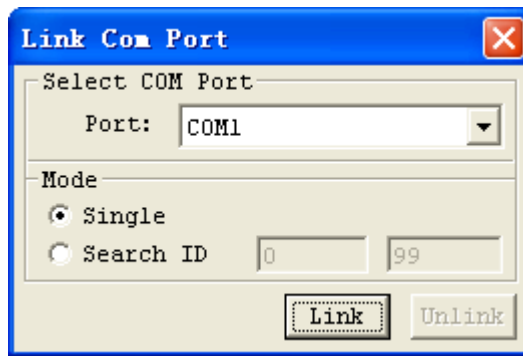


Establish Communication

- Open the SG2 Client software and select “New LAD” as shown below left.
- Select “Operation/Link Com Port...” as shown below right.



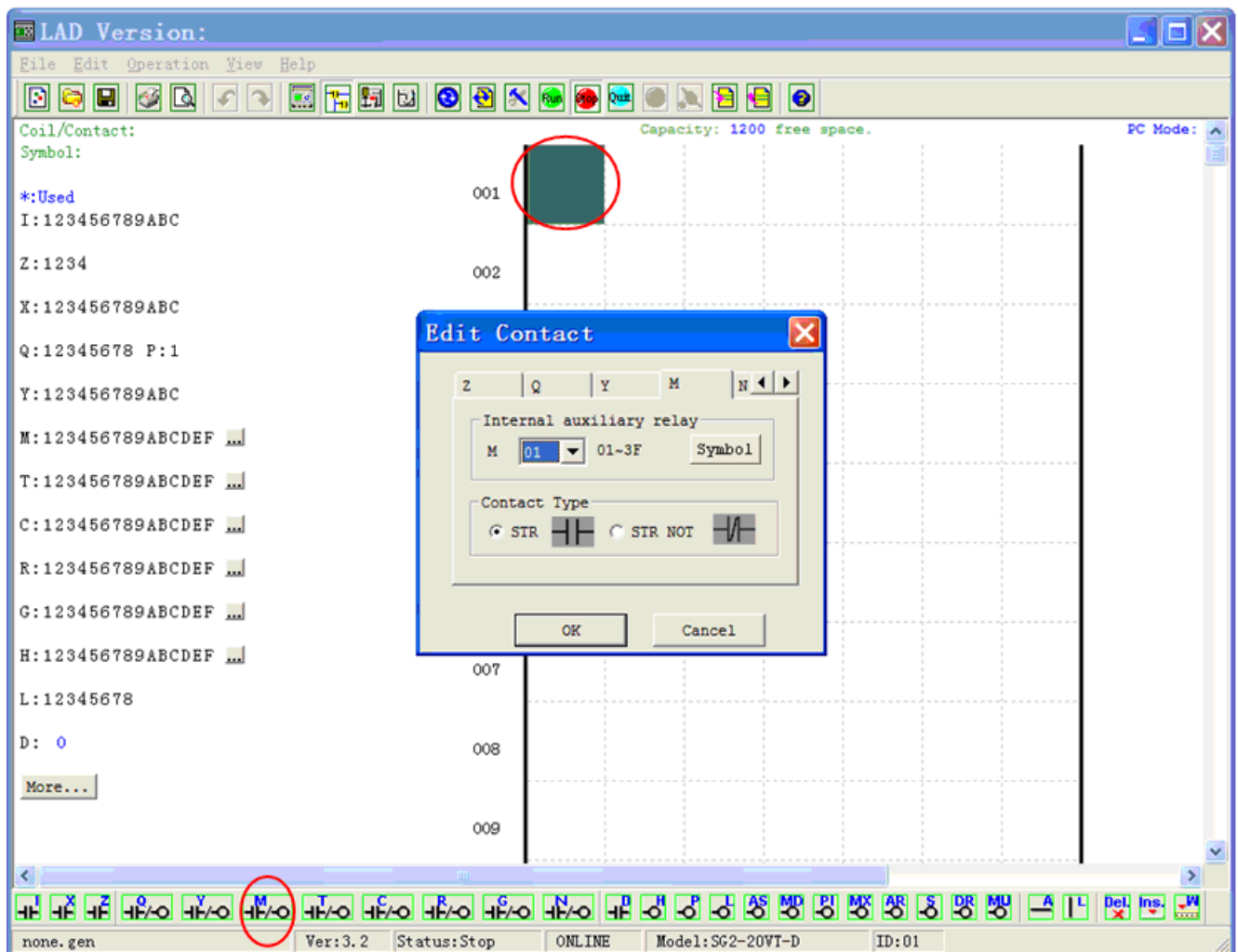
c. Select the correct Com Port number where the programming cable is connected to the computer then press the “link” button.



d. The SG2 Client will then begin to detect the connected smart relay to complete its connection.

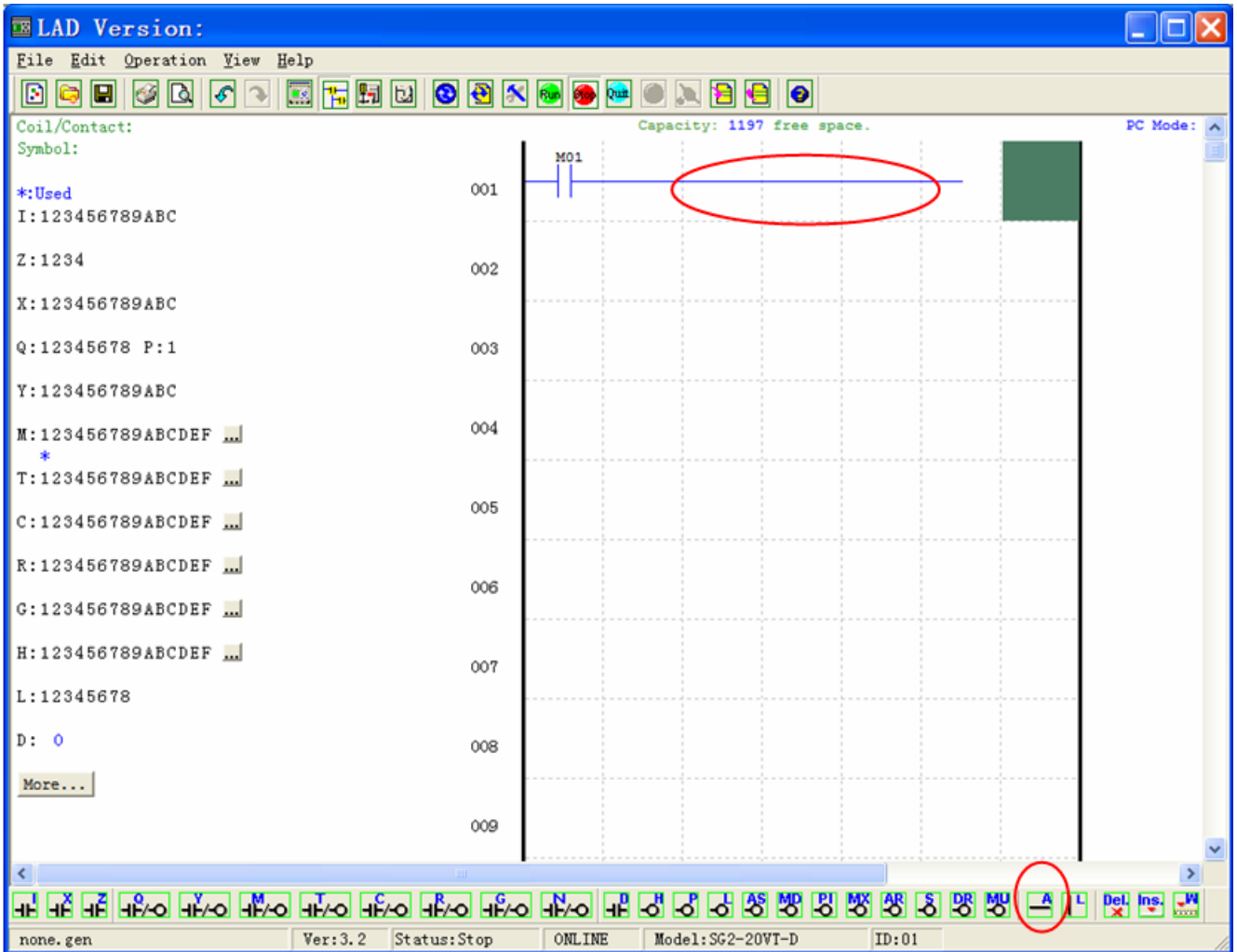
Write simple program

- a. Write a simple one rung program by clicking on the leftmost cell at line 001 of the programming grid, then click on the “M” contact icon on the ladder toolbar, as shown below. Select M01 and press the OK button. See “[Chapter 4: Ladder Programming instructions](#)” for complete instruction set definitions.

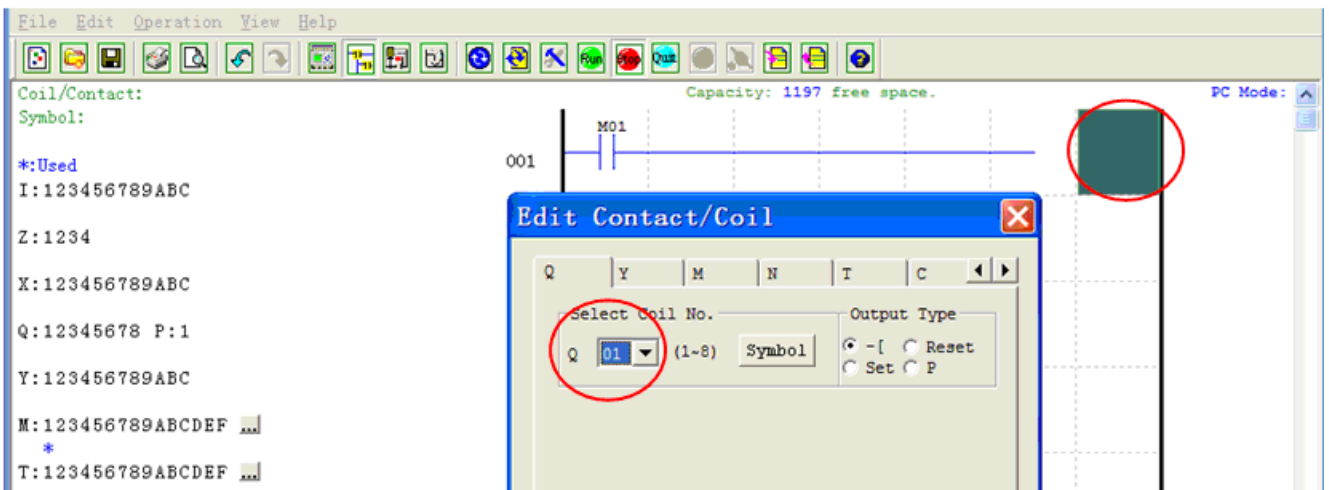


Note: If the ladder toolbar is not visible at the bottom of the screen, select **View/Ladder Toolbar** from the menu to enable.

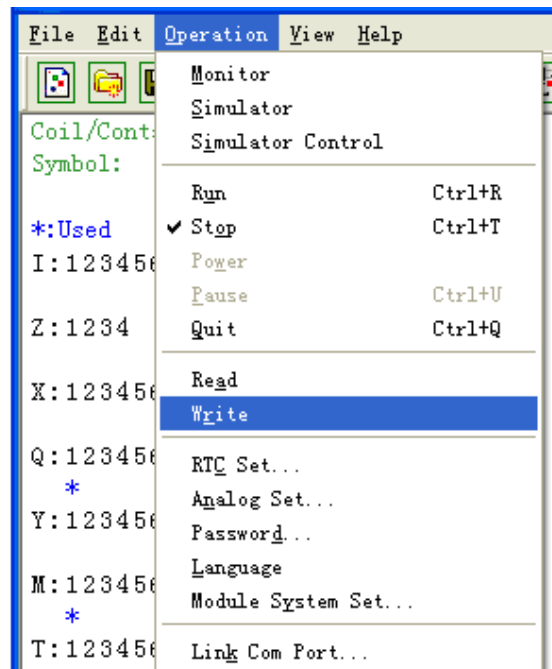
b. Use the “A” key on your keyboard (or the “A” icon on the ladder toolbar) to draw the horizontal circuit line from the M contact to the right most cell, as shown below.



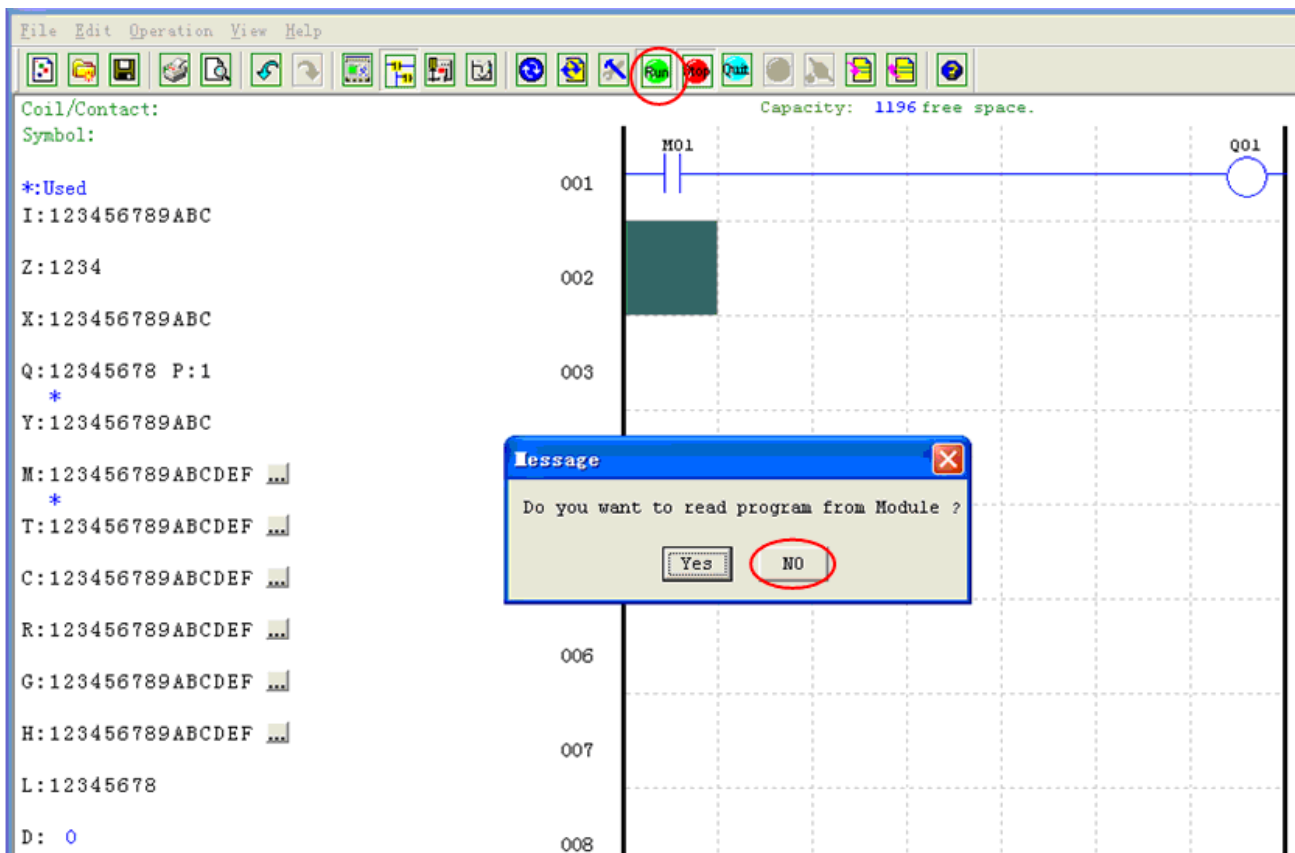
c. Select the “Q” coil icon from the ladder toolbar and drop it on the right most cells. Select Q01 from the dialog and press OK as shown below. See “Chapter 4: Ladder Programming instructions” for complete instruction set definitions.



d. Test the simple program. From the Operation menu, select the Write function and write the program to the connected smart relay as shown below.



e. Select the RUN icon from the toolbar, and select “No” when the pop-up message asks “Do you want to read program from module?”, as shown below.



f. On the Input Status dialog, click on M01 to activate the contact M01 which will turn ON the Output Q01 as shown below. The highlighted circuit shows the active part, and the first Output (Q01) on the connected smart relay will be ON. See “Chapter 3: Programming Tools” for more detailed software information.

The screenshot displays a software interface for a PLC programming tool. On the left, a list of variables is shown:

```

Coil/Contact:
Symbol:
*: Status ON
I:123456789ABC
Z:1234
X:123456789ABC
Q:12345678 P:1
*:
Y:123456789ABC
M:123456789ABCDEF ...
*:
T:123456789ABCDEF ...
C:123456789ABCDEF ...
R:123456789ABCDEF ...
G:123456789ABCDEF ...
H:123456789ABCDEF ...
L:12345678
D:
    
```

The main workspace shows a ladder logic diagram with a contact labeled M01 connected to an output coil labeled Q01. A green shaded area highlights the M01 contact. The top right corner of the workspace indicates "Capacity: 1196 free space."

An "Input Status Tool" dialog box is overlaid on the workspace. It features a grid for monitoring inputs:

- Inputs I, X, and Z are shown with columns 1 through 9.
- Inputs MOx and NOx are shown with columns 0 through F.
- Input 1 in the MOx row is highlighted with a red background, indicating it is active.

Chapter 2: Installation

General Specifications	11
Product Specifications.....	14
Mounting.....	16
Wiring	18
K type Indicator Light.....	20

General Specifications

SG2 is a miniature smart Relay with a maximum of 44 I/O points and can be programmed in Relay Ladder Logic or FBD (Function Block Diagram) program. The SG2 can expand to its maximum I/O count by adding 3 groups of 4-input and 4-output modules.

Power Supply	
Input Power Voltage Range	24V DC Models: 20.4-28.8V 12V DC Models: 10.4~14.4V AC Models: 85-265V 24V AC Models: 20.4-28.8V
Power Consumption	24VDC: 12-point :125mA 20-point: 185mA 12VDC: 12-point: 195mA 20-point: 265mA 100-240VAC: 100mA 24VAC: 290mA
Wire Size (all terminals)	26 to 14 AWG

Programming	
Programming languages	Ladder/Function Block Diagram
Program Memory	300 Lines or 260 Function Blocks
Programming storage media	Flash
Execution Speed	10ms/cycle
LCD Display	4 lines x 16 characters
Timers	
Maximum Number	Ladder: 31; FBD: 250
Timing ranges	0.01s-9999min
Counters	
Maximum Number	Ladder: 31; FBD: 250
Highest count	999999
Resolution	1
RTC (Real Time Clock)	
Maximum Number	Ladder: 31; FBD: 250
Resolution	1min
Time span available	week, year, month, day, hour, min
Analog compare	
Maximum Number	Ladder: 31; FBD: 250
Compare versus other inputs	Numeric values or function block current value, such as Analog input(A), Timer, Counter, Temperature Input (AT), Analog Output (AQ), Analog*gain + Offset, AS, MD, PI, MX, AR, DR ...

Environmental

Enclosure Type	IP20
Maximum Vibration	1G according to IEC60068-2-6
Operating Temperature Range	-4° to 131°F (-20° to 55°C)
Storage Temperature Range	-40° to 158°F (-40° to 70°C)
Maximum Humidity	90% (Relative, non-condensing)
Vibration	0.075mm amplitude, 1.0g acceleration
Weight	8-point: 190g 10,12-point: 230g (C type: 160g) 20-point: 345g (C type: 250g)
Agency Approvals	CUL, CE, UL

Digital Inputs	
Current consumption	3.2mA @24VDC; 4mA @12VDC 1.3mA @100-240VAC 3.3mA @24VAC
Input Signal "OFF" Threshold	24VDC: < 5VDC; 12VDC: < 2.5VDC 100-240VAC : < 40VAC 24VAC: <6VAC
Input Signal "ON" Threshold	24VDC: > 15VDC 12VDC: > 7.5VDC 100-240VAC : > 79VAC 24VAC: >14VAC
Input On delay	24, 12VDC: 5ms 240VAC: 25ms 120VAC: 50ms 24VAC: 5ms
Input Off Delay	24, 12VDC: 3ms 240VAC: 90/85ms 50/60Hz 120VAC: 50/45ms 50/60Hz 24VAC: 3ms
Transistor device compatibility	PNP, 3-wire device only
High Speed Input frequency	1kHz
Standard Input frequency	< 40 Hz
Required protection	Inverse voltage protection required

Analog Inputs	
Resolution	Basic unit: 12 bit Expansion unit: 12bit
Voltage Range acceptable	Basic unit: Analog input: 0-10VDC voltage, 24VDC when used as discrete input; Expansion unit: Analog input: 0-10VDC voltage or 0-20mA current
Input Signal "OFF" Threshold	< 5VDC (as 24VDC discreet input)
Input Signal "ON" Threshold	> 9.8VDC (as 24VDC discreet input)
Isolation	None
Short circuit protection	Yes
Total number available	Basic unit: A01-A04 Expansion unit: A05-A08

Relay Outputs	
Contact material	Ag Alloy
Current rating	8A
HP rating	1/3HP@120V 1/2HP@250V
Maximum Load	Resistive: 8A /point Inductive: 4A /point
Maximum operating time	15ms (normal condition)
Life expectancy (rated load)	100k operations
Minimum load	16.7mA

Transistor Outputs	
PWM max. output frequency	1.0kHz (0.5ms on,0.5ms off)
Standard max. output frequency	100Hz
Voltage specification	10-28.8VDC
Current capacity	1A
Maximum Load	Resistive: 0.5A/point Inductive: 0.3A/point
Minimum Load	0.2mA

Product Specifications

Part #	Input Power	Inputs	Outputs	Display & Keypad	RS-485 Communications	Max I/O
SG2-12HR-D	24 VDC	6 DC, 2 Analog	4 Relay	√, Z01-Z04	N/A	36 + 4 *1
SG2-12HT-D		6 DC, 2 Analog	4 Trans.	√, Z01-Z04	N/A	36 + 4 *1
SG2-20HR-D		8 DC, 4 Analog	8 Relay	√, Z01-Z04	N/A	44 + 4 *1
SG2-20HT-D		8 DC, 4 Analog	8 Trans.	√, Z01-Z04	N/A	44 + 4 *1
SG2-20VR-D		8 DC, 4 Analog	8 Relay	√, Z01-Z04	Built-in MODBUS	44 + 4 *1
SG2-20VT-D		8 DC, 4 Analog	8 Trans.	√, Z01-Z04	Built-in MODBUS	44 + 4 *1
SG2-12HR-12D	12 VDC	6 DC, 2 Analog	4 Relay	√, Z01-Z04	N/A	36 + 4 *1
SG2-20HR-12D		8 DC, 4 Analog	8 Relay	√, Z01-Z04	N/A	44 + 4 *1
SG2-20VR-12D		8 DC, 4 Analog	8 Relay	√, Z01-Z04	Built-in MODBUS	44 + 4 *1
SG2-10HR-A	100-240 VAC	6 AC	4 Relay	√, Z01-Z04	N/A	34 + 4 *1
SG2-20HR-A		12 AC	8 Relay	√, Z01-Z04	N/A	44 + 4 *1
SG2-12HR-24A	24VDC	8 AC	4 Relay	√, Z01-Z04	N/A	36 + 4 *1
SG2-20HR-24A		12 AC	8 Relay	√, Z01-Z04	N/A	44 + 4 *1
Expansion Modules and Accessories						
SG2-8ER-D	24VDC	4 DC	4 Relay	N/A	N/A	N/A
SG2-8ET-D		4 DC	4 Trans.	N/A	N/A	N/A
SG2-8ER-A	100-240VAC	4 AC	4 Relay	N/A	N/A	N/A
SG2-8ER-24A	24VAC	4 AC	4 Relay	N/A	N/A	N/A
SG2-4AI	24 VDC	4 Analog	N/A	N/A	N/A	N/A
SG2-4PT		4 Analog	N/A	N/A	N/A	N/A
SG2-2AO		N/A	2 Analog	N/A	N/A	N/A
SG2-MBUS		Communications Module, RS-485 ModBus RTU slaver				
SG2-DNET		Communications Module, DeviceNet Group2 slaver				
SG2-PBUS		Communications Module, Profibus-DP slaver				
EN01		Communications Module, TCP/IP				
GSM		Communications Module, EGSM 900MHz, DCS1800MHz				
SG2-PL01		SG2 Programming Cable, SG2 Programming software				
SG2-PM05(3rd)	SG2 Memory cartridge					
OEM "Blind" Models, No Keypad, No Display						
SG2-12KR-D	24VDC	6 DC, 2 Analog	4 Relay	X	N/A	36
SG2-12KT-D		6 DC, 2 Analog	4 Trans.	X	N/A	36
SG2-20KR-D		8 DC, 4 Analog	8 Relay	X	N/A	44
SG2-20KT-D		8 DC, 4 Analog	8 Trans.	X	N/A	44
SG2-12KR-12D	12VDC	6 DC, 2 Analog	4 Relay	X	N/A	36
SG2-10KR-A	100-240VAC	6 AC	4 Relay	X	N/A	34
SG2-20KR-A		12 AC	8 Relay	X	N/A	44
OEM "Baseboard" Models, No Keypad, No Display, No Expansion						
SG2-12CR-D	24VDC	6 DC, 2 Analog	4 Relay	X	N/A	12
SG2-12CT-D		6 DC, 2 Analog	4 Trans.	X	N/A	12
SG2-20CR-D		8 DC, 4 Analog	8 Relay	X	N/A	20
SG2-20CT-D		8 DC, 4 Analog	8 Trans.	X	N/A	20

SG2-10CR-A	100-240VAC	6 AC	4 Relay	X	N/A	10
SG2-20CR-A		12 AC	8 Relay	X	N/A	20

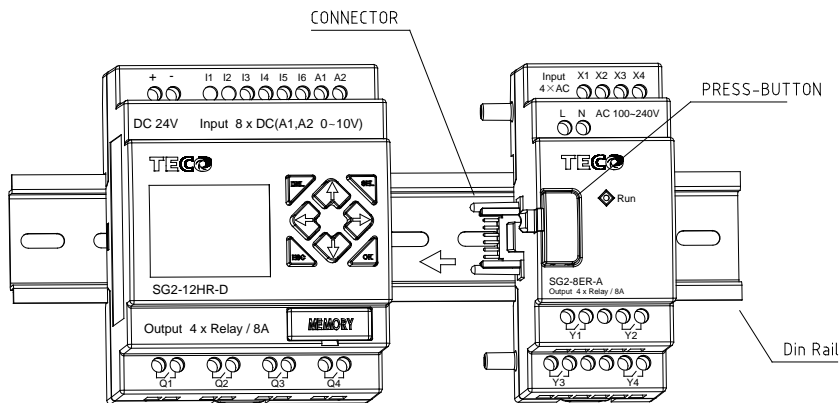
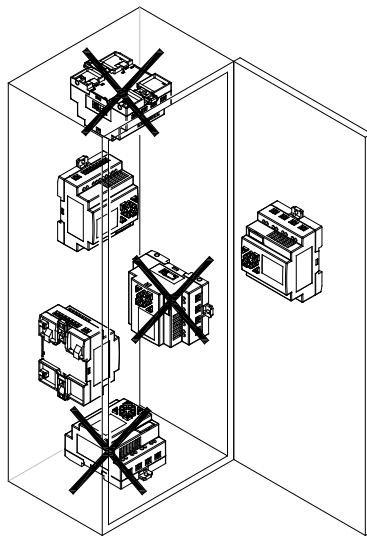
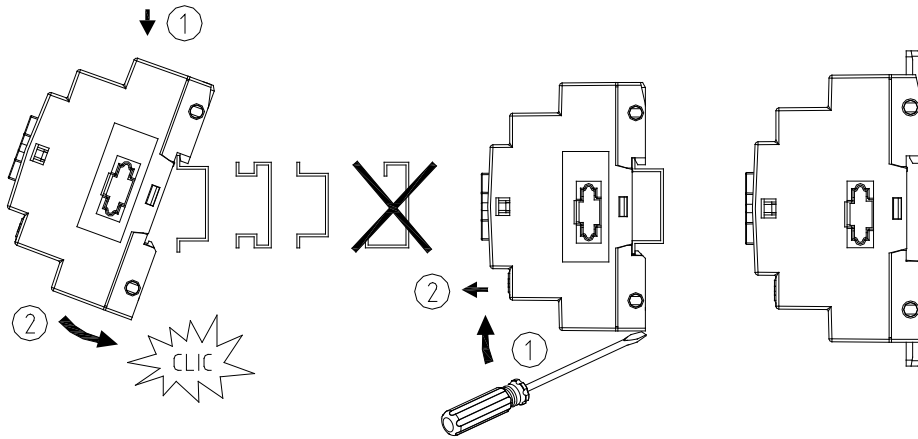
※ If module with keypad and display, Max IO can be added keypad input Z01-Z04.

※ More information about Product Specifications to see “[chapter 6: Hardware Specification](#)”.

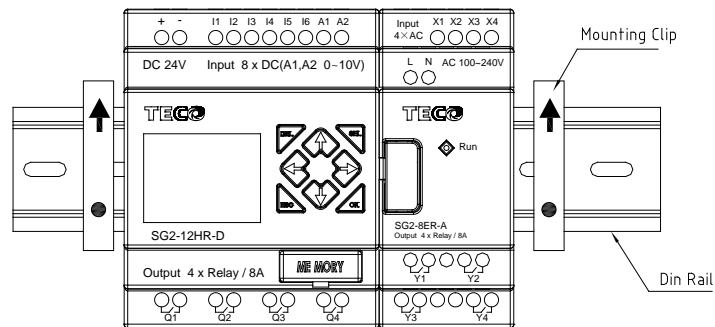
Mounting

DIN-rail Mounting

The SG2 smart relay should always be mounted vertically. Press the slots on the back of the SG2 and expansion module plug CONNECTOR onto the rail until the plastic clamps hold the rails in place. Then connect the expansion module and CONNECTOR with the Master (press the PRESS-BUTTON simultaneously)

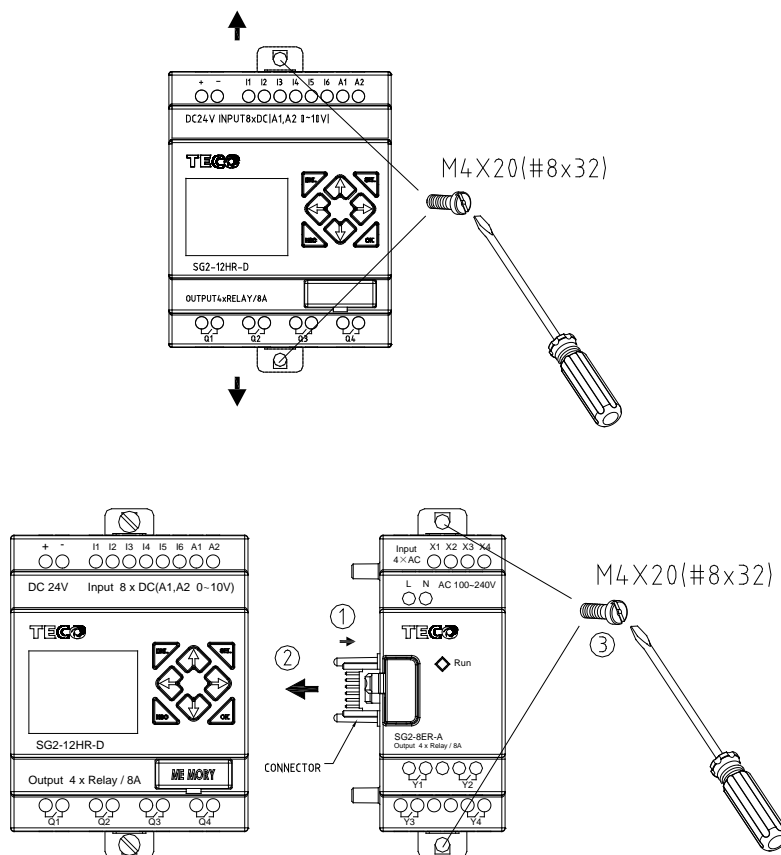


It is recommended to apply a DIN-rail end clamp to hold the SG2 in place.



Direct Mounting

Use M4 screws to direct mount the SG2 as shown. For direct installation of the expansion module, slide the expansion module and connect with the Master after the Master is fixed.



Wiring

! **WARNING:** The I/O signal cables should not be routed parallel to the power cable, or in the same cable trays to avoid the signal interference.

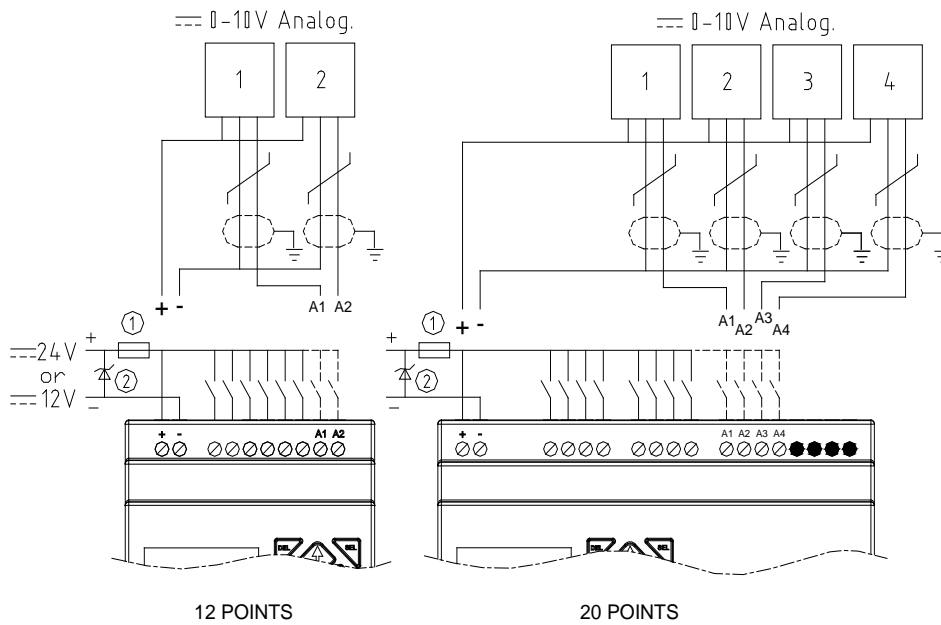
! To avoid a short circuit on the load side, it is recommended to connect a fuse between each output terminals and loads.

Wire size and Terminal Torque

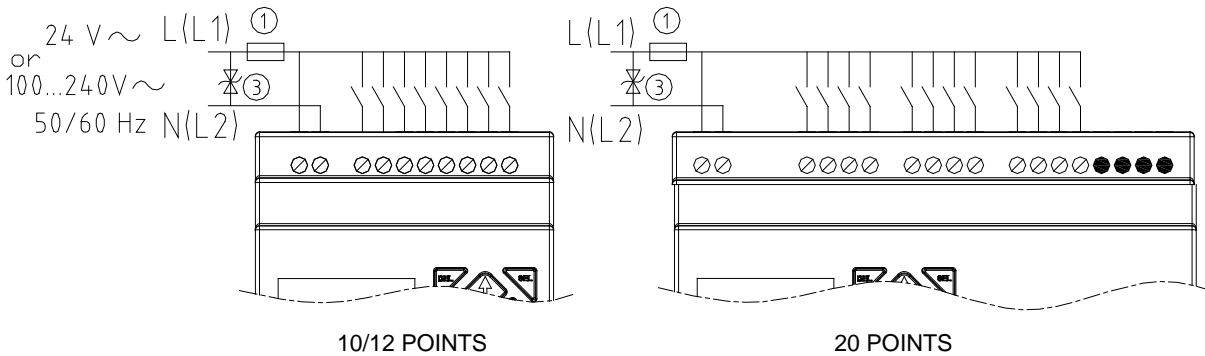
mm ²	0.14...1.5	0.14...0.75	0.14...2.5	0.14...2.5	0.14...1.5
AWG	26...16	26...18	26...14	26...14	26...16

 ∅ 3.5 (0.14in)	 C	 Nm	0.6
		lb-in	5.4

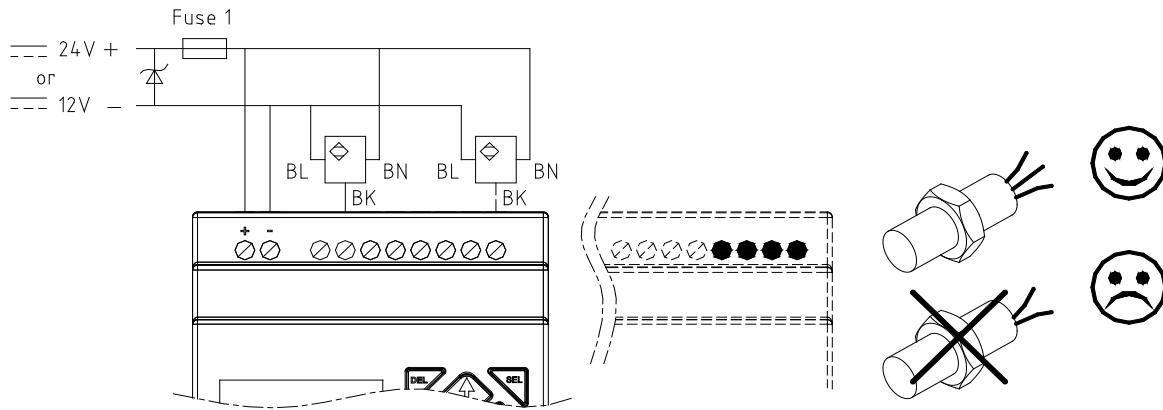
Input 12/24V DC



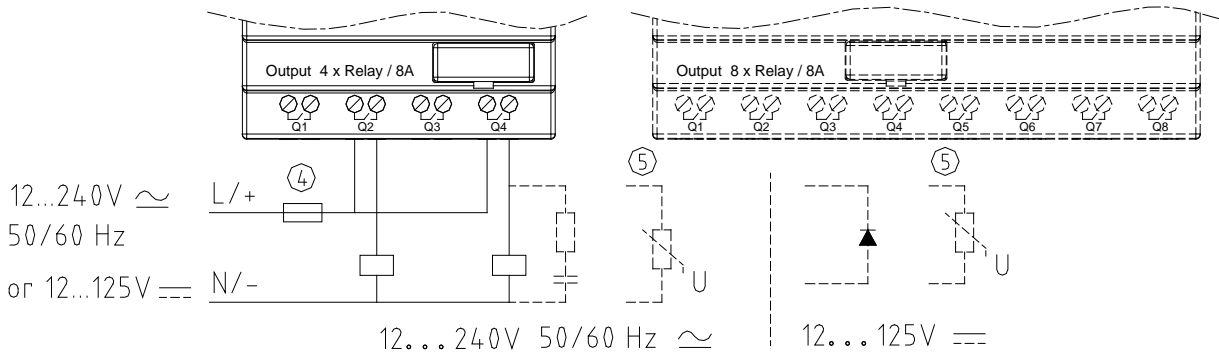
Input 100~240V /24V AC



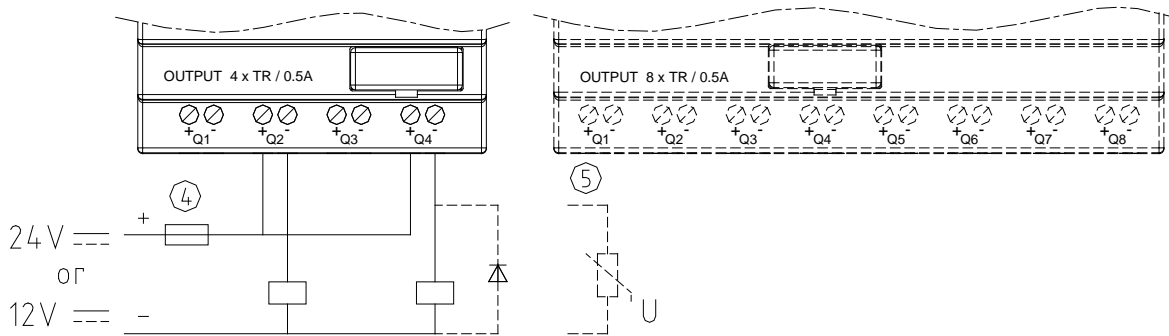
Sensor Connection



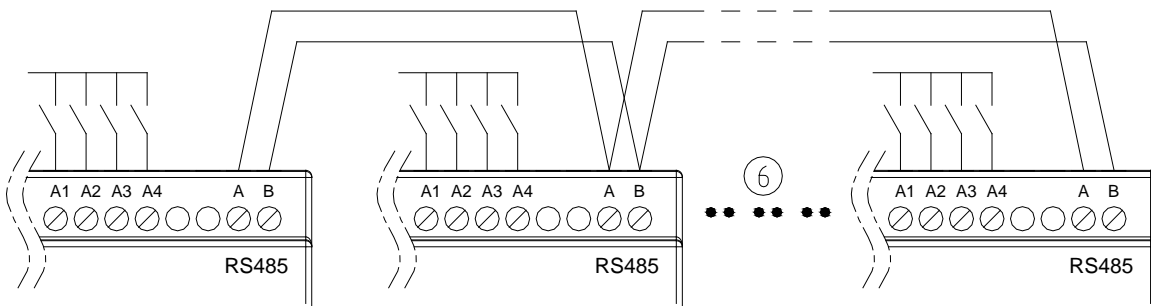
Output (Relay)



Output (Transistor)



IO Link OR Remote I/O Link



The power supply and the I/O supply should share the same power source. Only short circuit the first and the last module.

When I/O link, the net can connect 8 products in max. (ID: 0-7).




When Remote I/O is available, it only can connect 2 products max (Master & Slaver).

※ More information about RS485 Model communication to see “[Chapter 7 20 Points RS485 type Models Instruction](#)”.

- ①-1A quick-blowing fuse, circuit-breaker or circuit protector
- ②-Surge absorber (43V DC)
- ③-Surge absorber (Input 24VAC:43V; Input 100~240VAC:430V AC)
- ④-Fuse, circuit-breaker or circuit protector
- ⑤-Inductive load
- ⑥-Comply with standard: EIA RS-485.

K type Indicator Light

There is an indicator light to indicate the status of SG2 (K type) smart, and the below table shows the relationship between the light and the SG2 status.

State of light	Description
	Power up, SG2 is stopping
	Flicker slow(1Hz), SG2 is running
	Flicker quick(5Hz), SG2 is under failure status <ul style="list-style-type: none"> —Flash error —Illogicality in user program —Expansion model error —RTC error

Chapter 3: Program Tools

PC Programming Software “SG2 Client”	21
Installing the Software	21
Connecting the Software	21
Start Screen	21
Ladder Logic Programming Environment	22
Menus, Icons and Status Bar	23
Programming.....	24
Simulation Mode.....	25
Establish Communication	25
Writing Program to smart relay	26
Online Monitoring/Editing	27
Operation menu	28
HMI/TEXT.....	29
Program Documentation	33
Analog Output Set.....	35
3-Row/5-Row	36
Data Register Set.....	37
View menu	39
FBD Programming Environment	40
Menu, Icons and Status Bar.....	40
Programming.....	41
Simulation Mode.....	42
Online Monitoring/Editing	42
Symbol and Parameters list.....	43
Memory Cartridge (sold separately)	45
LCD Display and Keypad	46
Keypad	46
Original Screen	47
LCD Display Main Menu.....	50
RTC Daylight saving setting	55
SG2 system error	59

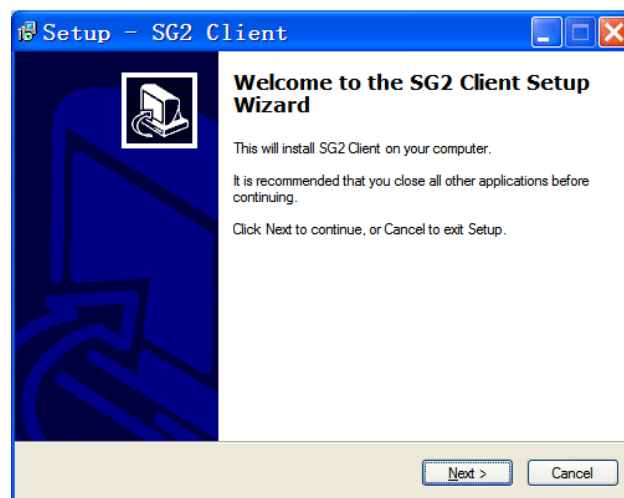
PC Programming Software “SG2 Client”

The SG2 Client programming software provides two edit modes, Ladder Logic and Function Block Diagram (FBD). The SG2 Client software includes the following features:

1. Easy and convenient program creation and editing.
2. Programs can be saved on a computer for archiving and reuse. Programs can also be uploaded directly from a SG2 and saved or edited.
3. Enables users to print programs for reference and review.
4. The Simulation Mode allows users to run and test their program before it is loaded to the controller.
5. Real-time communication allows the user to monitor and force I/O on the SG2 smart relay operation during RUN mode.

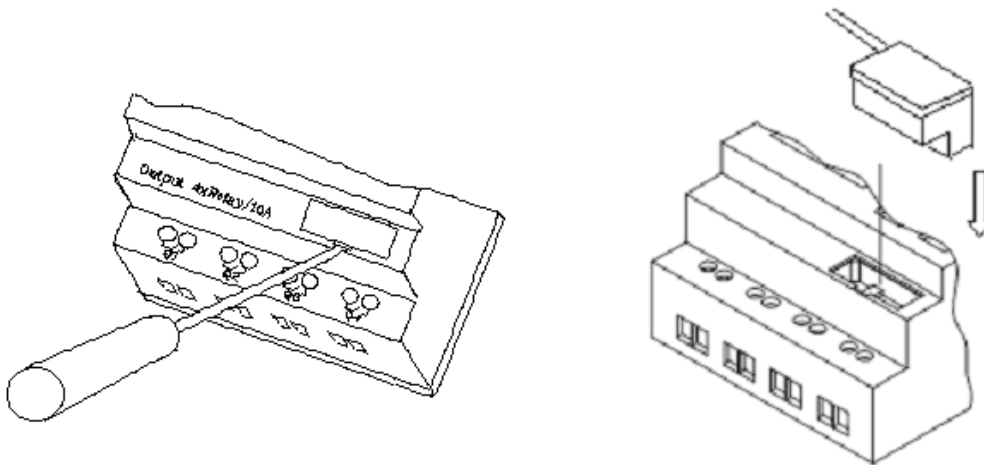
Installing the Software

Install the SG2 Client Software from CD or from the free internet download at www.taian-technology.com.



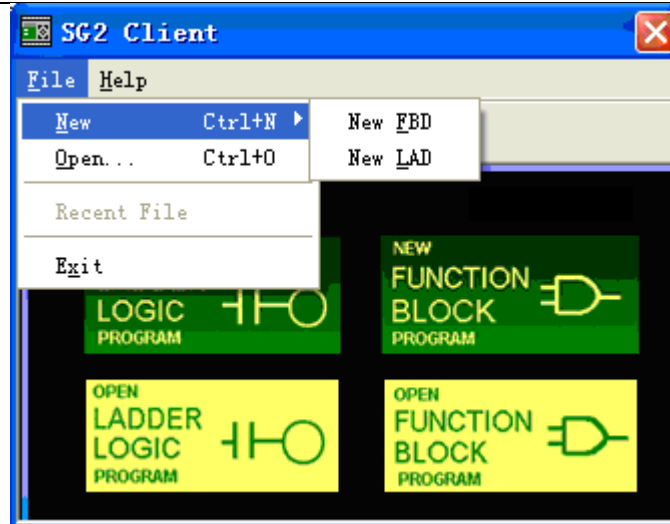
Connecting the Software

Remove the plastic connector cover from SG2 using a flathead screwdriver as shown in the figure below. Insert the plastic connector end of the programming cable into the SG2 smart relay as shown in the figure below. Connect the opposite end of the cable to an RS232C serial port on the computer.



Start Screen

Run the SG2 Client software and the below Start screen will be displayed. From this screen, you can perform the following functions



New Ladder Program

Select **File -->New -->New LAD** to enter the development environment for a new Ladder program

New FBD Program

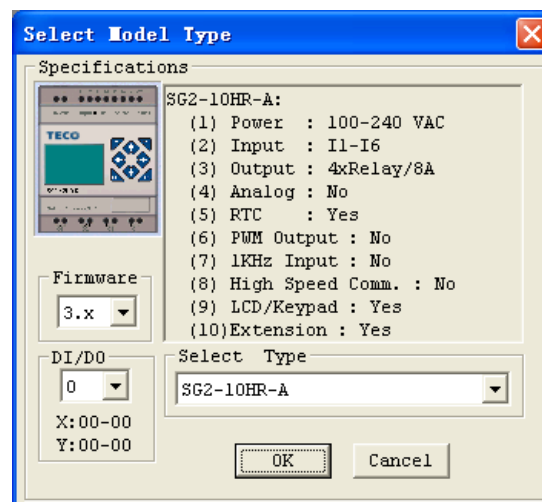
Select **File -->New -->New FBD** to enter the development environment for a new FBD (Function Block Diagram) program.

Open Existing File

Select **File -->Open** to choose the type of file to open (Ladder or FBD), and choose the desired program file, and then click Open.

Ladder Logic Programming Environment

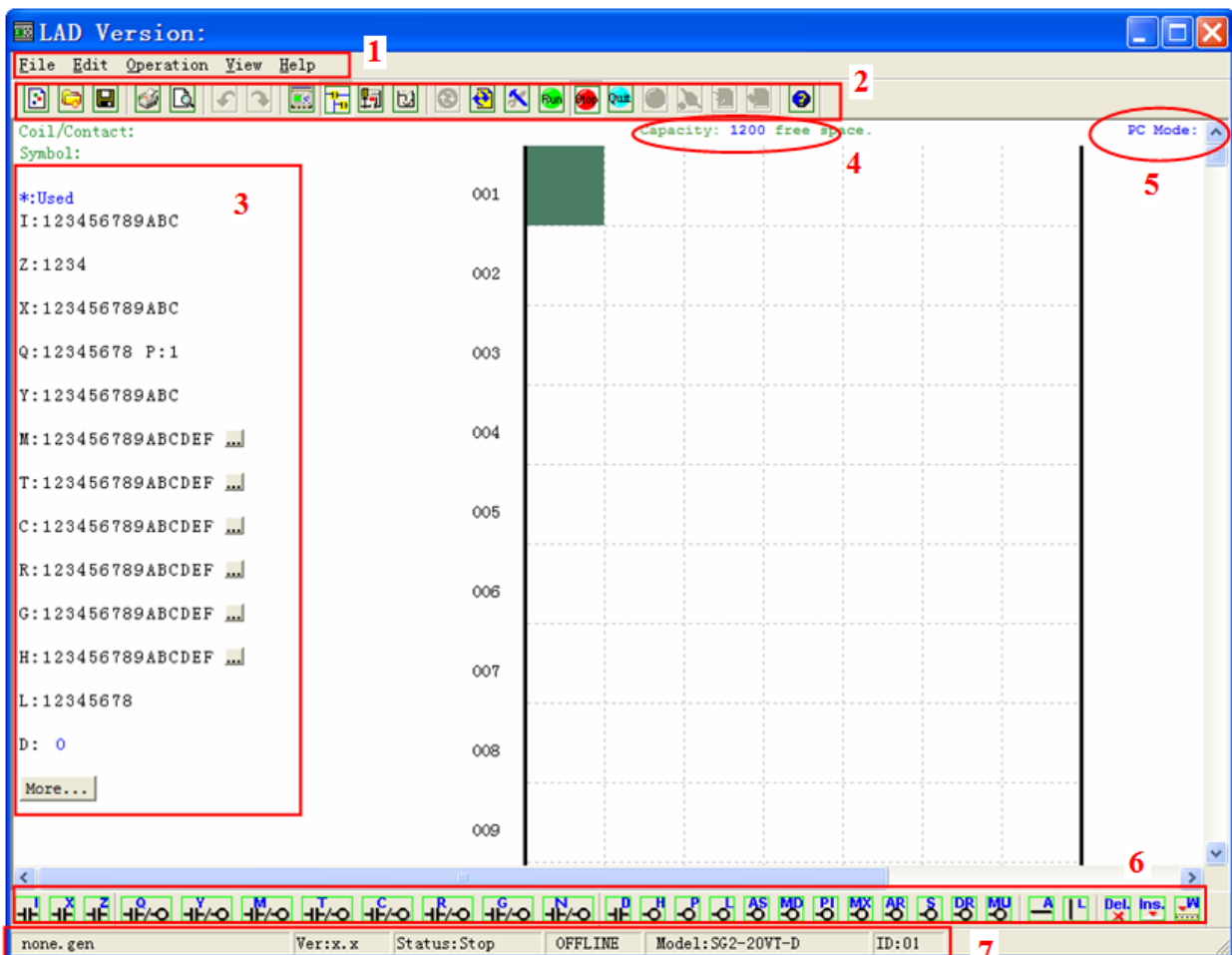
The Ladder Logic Programming Environment includes all the functions for programming and testing the SG2 using the Ladder Logic programming language. To begin a new program select **File-->New**, and select the desired model of SG2, and the number of connected expansion units if applicable, as shown below.



Menus, Icons and Status Bar

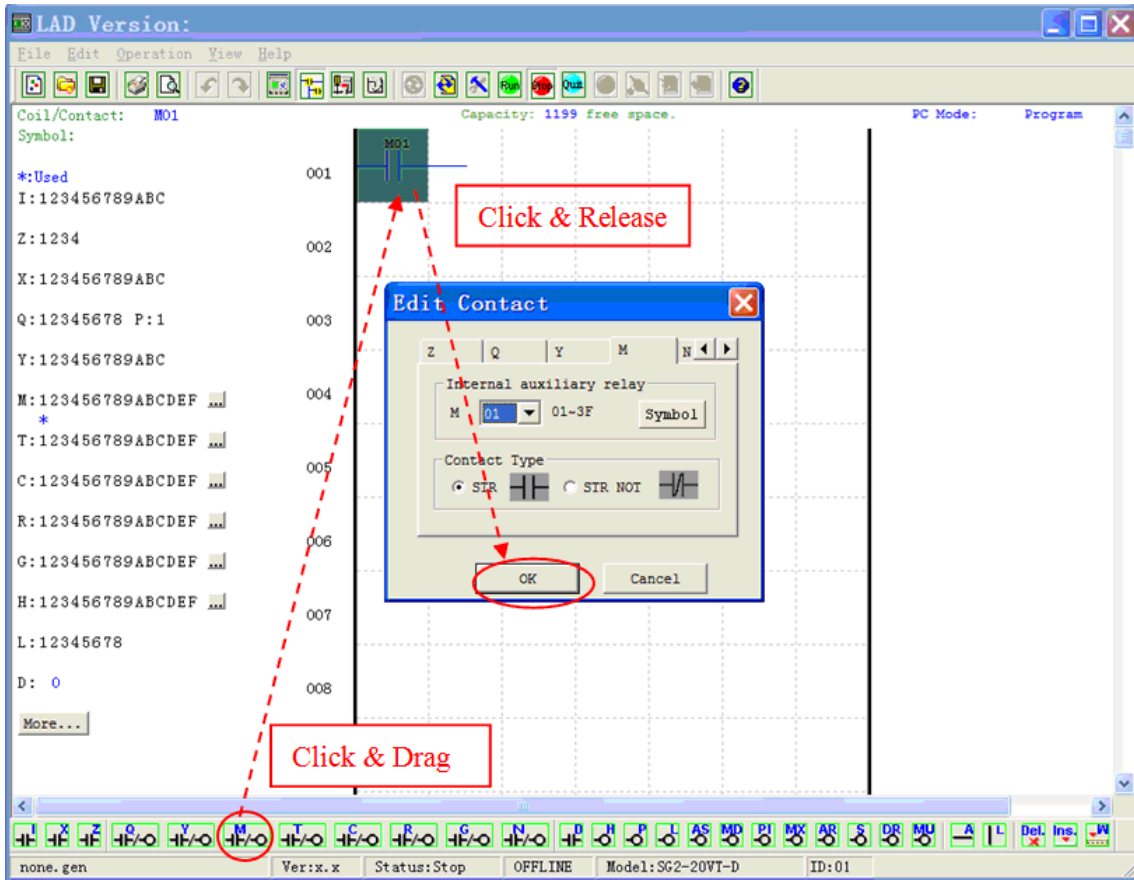
The Ladder programming environment includes the following Menus, Icons and Status Displays

1. Menu bar – Five menu selections for program development and retrieval, editing, communication to connected controllers, configuration of special functions and viewing preference selections.
2. Main Toolbar – (From Left to Right)
Icons for create a new program, open a program, save a program and print a program.
Icons for Keypad, Ladder view, HMI/Text edit and Symbol (comments) edit.
Icons for Monitor, Simulator, Simulator Controller, Controller Mode changes (Run, Stop, and Quit), and Read/Write programs from/to the SG2 smart relay.
3. Usage List – List for all memory types and addresses used with the current open program. Used addresses are designated by a "*" symbol below each address.
4. Amount of free programming memory available.
5. Current Mode – Program mode, Simulator mode, Monitor mode.
6. Ladder Toolbar – Icons for selecting and entering all available Ladder Logic instructions.
7. Status Bar – Status of current open project and connect SG2 smart relay.

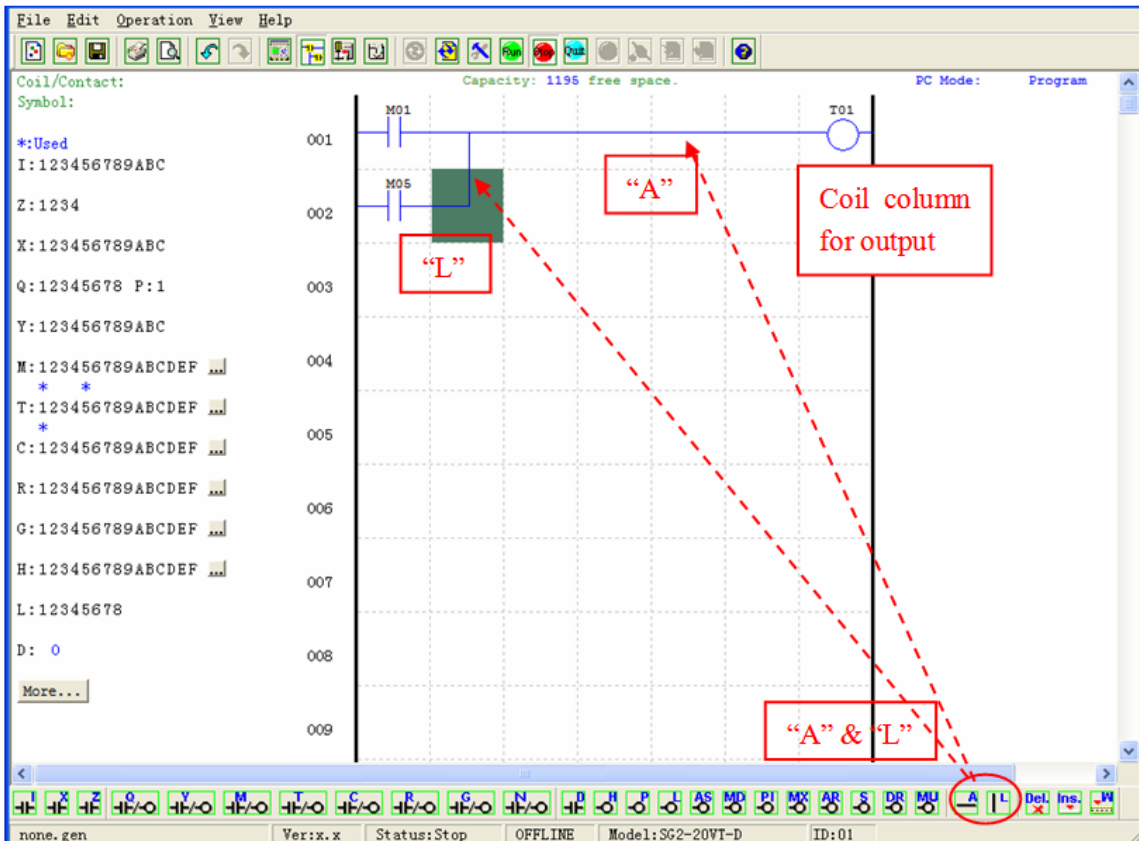


Programming

The SG2 Client software can be programmed by either drag-and-drop of instructions or by using keyboard entry commands. Below is an example of some common methods of entering programming instructions.

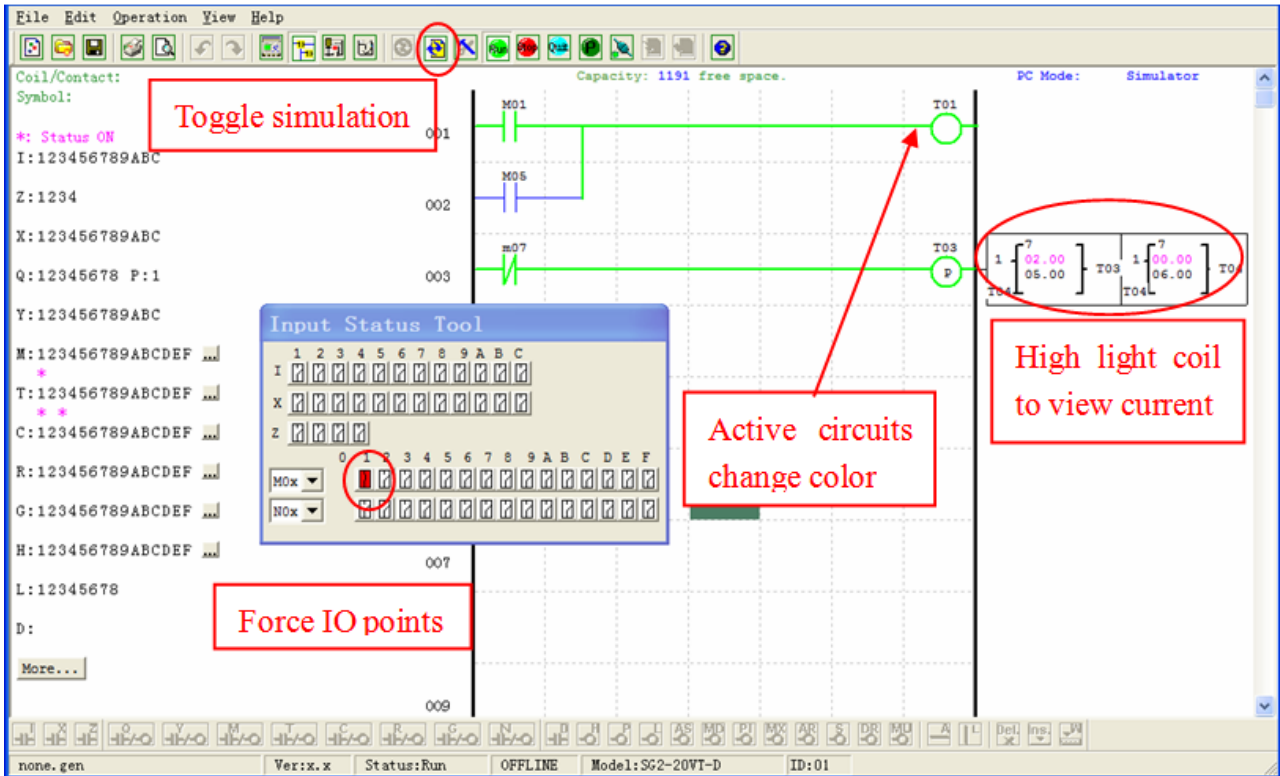


The “A” and “L” keys or icons are used to complete parallel and serial circuits. The right column is for output coils.



Simulation Mode

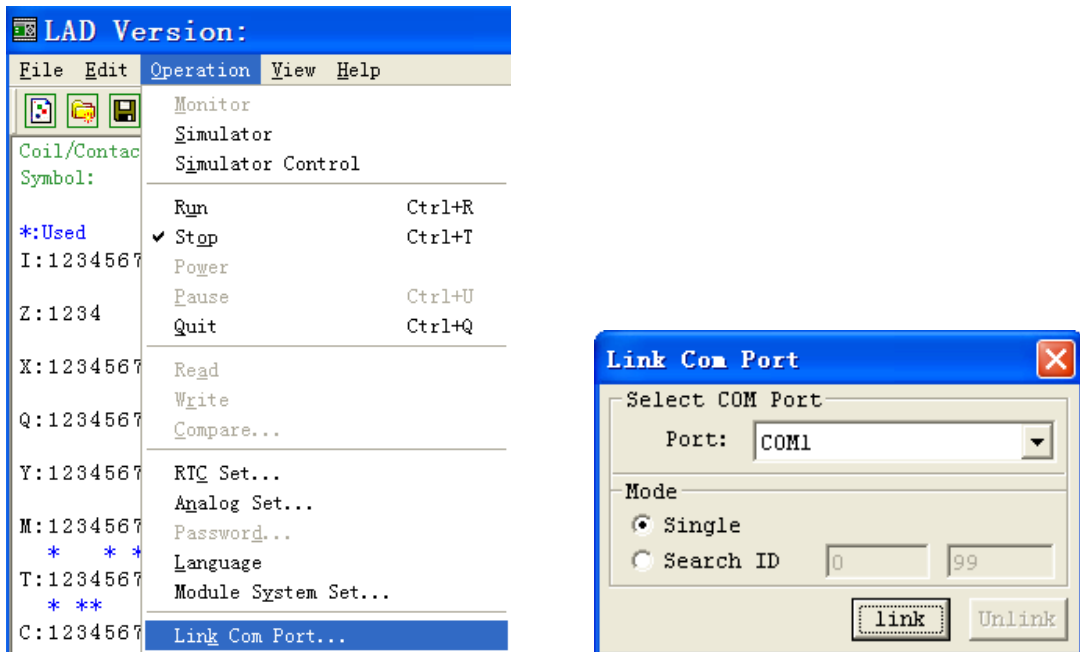
The SG2 Client software includes a built-in simulator to test and debug programs easily without the need for downloading to a controller. To activate simulation mode, simply press the RUN icon. The program below is shown in simulation mode, identifying the significant available features.



Establish Communication

The following is the simple procedure for establishing communication between PC and the SG2 smart relay.

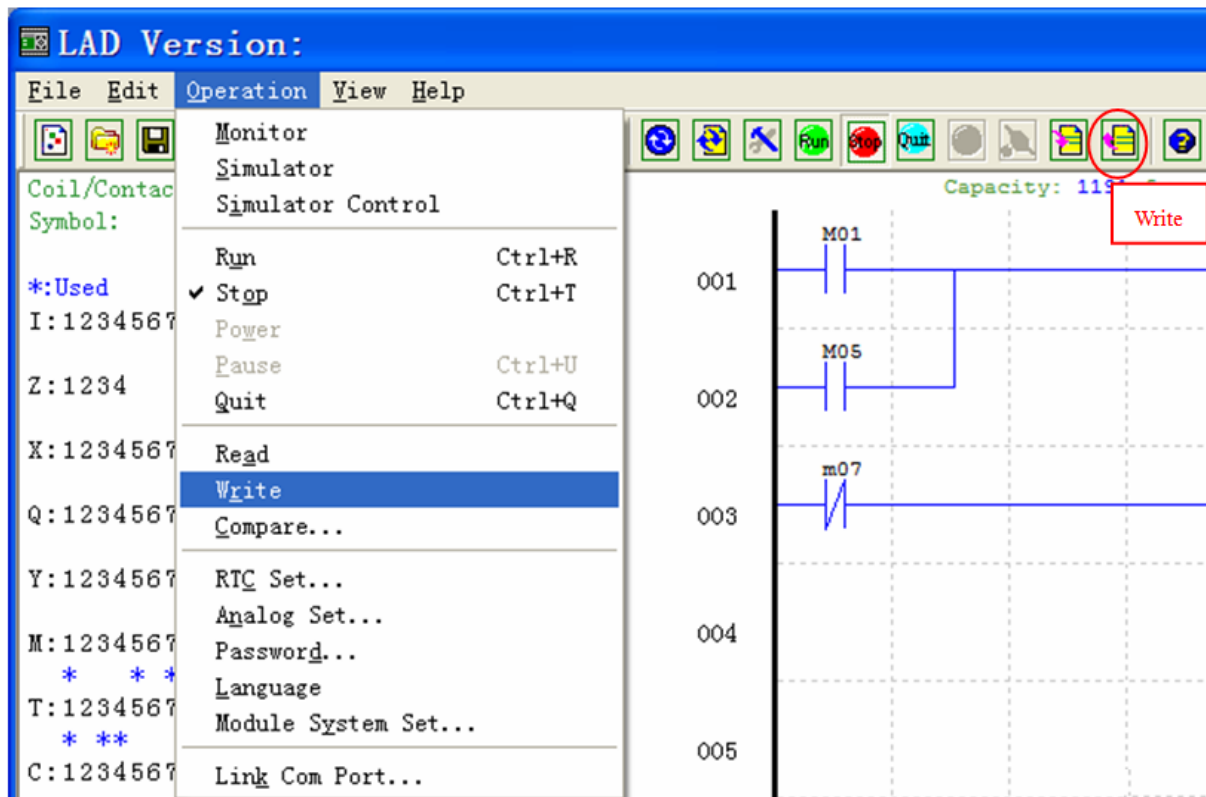
- a. Select “Operation/Link Com Port...” as shown below.



- b. Select the correct Com Port number where the programming cable is connected to the computer then press the “link” button.
- c. The SG2 Client software will then begin to detect the connected smart relay to complete its connection.

Writing Program to smart relay

From the Operation menu, select the Write function and write the program to the connected smart relay as shown below, or press Write button to write program to connected smart relay as shown below.



Online Monitoring/Editing

The SG2 Client software allows for online monitoring of the currently running program during runtime. Additional online functions include, I/O forcing, and Mode changes (Run/Stop/Quit).

The screenshot displays the SG2 Client software interface. The main window shows a ladder logic diagram with several rungs. Annotations in red boxes highlight key features:

- Toggle Run/Stop:** A red box points to the Run/Stop button in the top toolbar.
- Active circuits change color:** A red box points to a coil (T01) that is highlighted in pink, indicating it is active.
- High light coil to view current:** A red box points to a coil (T04) that is highlighted in pink, indicating it is active.
- Force IO points:** A red box points to the 'MOx' and 'NOx' buttons in the 'Input Status Tool' window.
- Status bar: filename, version, mode, online/offline, SG2 mode and ID#:** A red box points to the status bar at the bottom of the window, which displays: 'none.gen Ver:x.x Status:Run ONLINE Model:SG2-20VT-D ID:01'.

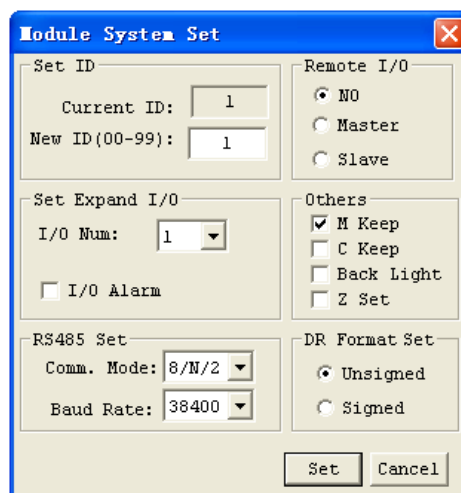
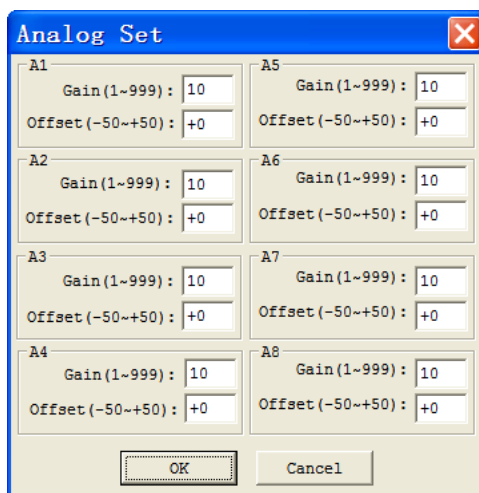
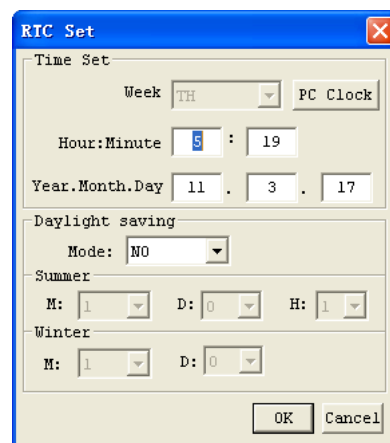
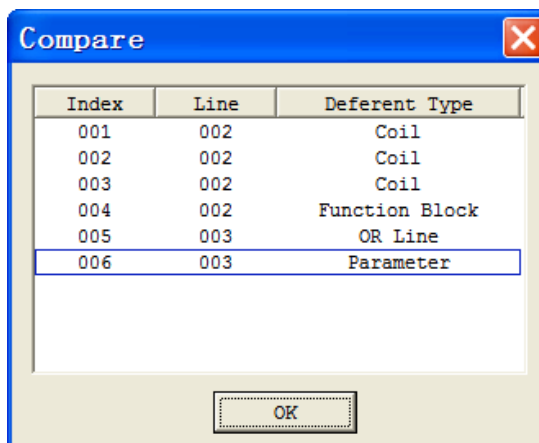
The interface also includes a menu bar (File, Edit, Operation, View, Help), a toolbar, and a status bar. The main window displays a ladder logic diagram with rungs 001 through 009. The diagram shows contacts (M01, M05, M07) and coils (T01, T03, T04). The 'Input Status Tool' window is open, showing a grid of input points (I, X, Z) and output points (MOx, NOx). The status bar at the bottom indicates the current mode is 'Run' and the device is 'ONLINE'.

✘ The SG2 Client software does not support runtime logic editing changes. All logic edits to contacts, coils, Timers/Counters, and circuit connecting lines must be written to the connected smart relay while in Stop mode.

Operation menu

The Operation menu, includes several system configuration functions for both online and offline setup. The following explains the details of each function.

Operation	Functional Description
<u>M</u> onitor	Online function for runtime monitor when connected to a smart relay
<u>S</u> imulator	Offline function for testing and debugging a program
<u>S</u> imulator Control	Self-motion simulator control
<u>R</u> un	Control running or simulator if not connect a smart relay
✓ <u>S</u> top	Stop running or stop simulator
<u>P</u> ower	Simulator control power down
<u>P</u> ause	Pause simulator
<u>Q</u> uit	Quit monitor or simulator mode
<u>R</u> ead	Read program form smart relay
<u>W</u> rite	Write program to smart relay
<u>C</u> ompare...	Read program form smart relay and compare difference with PC program
<u>R</u> TC Set...	Online function for setup of the Real-time clock/calendar
<u>A</u> nalog Set...	Setup analog input A01-A08 gain and offset
<u>P</u> assword...	Set a password for accessing the current program after upload to the smart relay
<u>L</u> anguage	Change SG2 smart relay menu language
<u>M</u> odule System Set...	Dialog for changing important system setup functions including Module ID...
<u>L</u> ink Com Port...	Select the port communication with smart relay

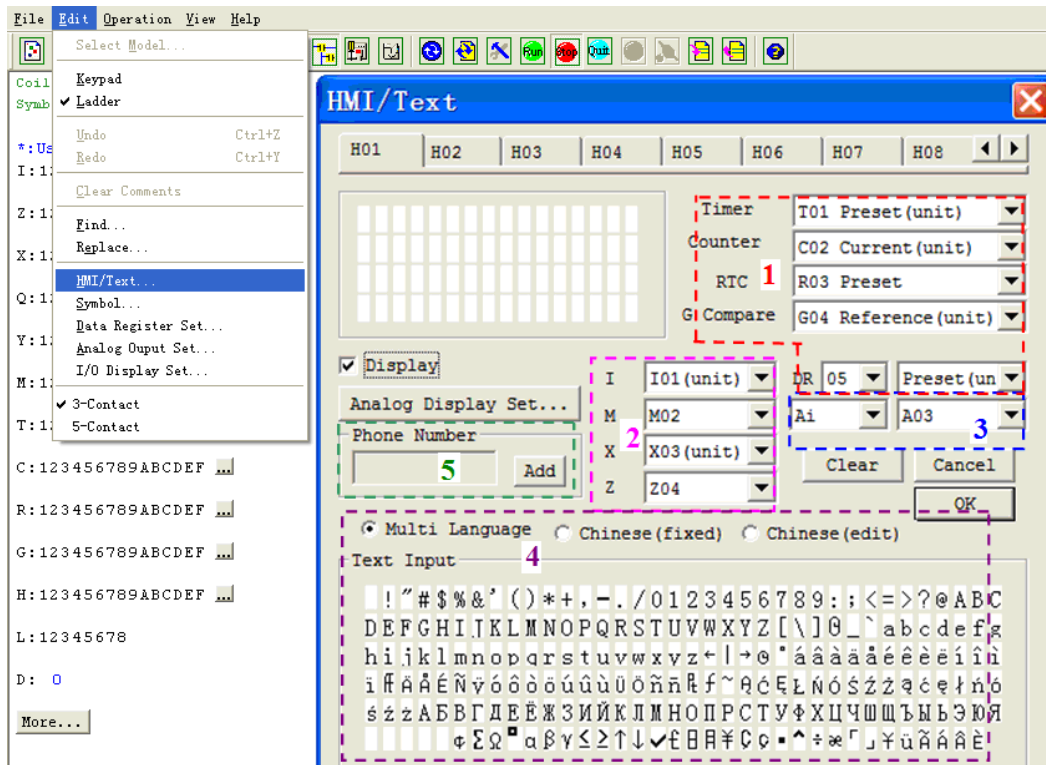


HMI/TEXT

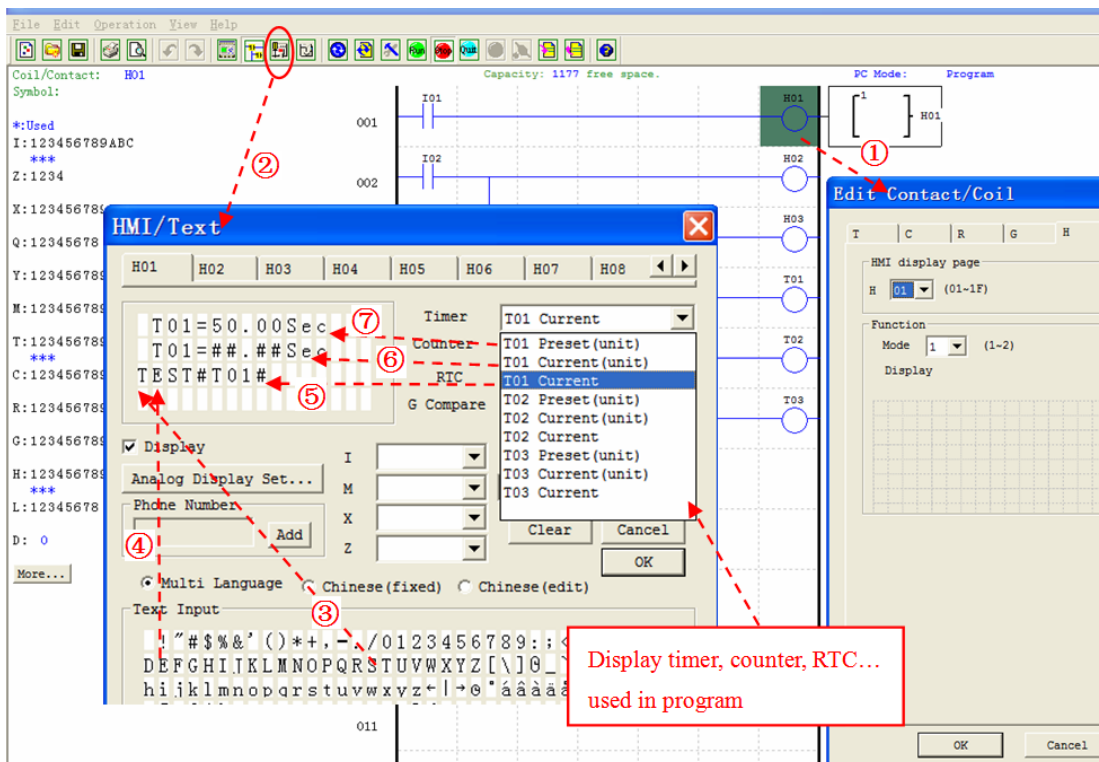
This function block can display information on 16×4 LCD screen:

1. Preset value or current value of function blocks, such as Counter, Timer, RTC, Analog comparator and DR register etc. Under running mode, to modify the preset value via HMI is available.
2. Coils status, such as input coils I, Z, X and auxiliary coils M.
3. Analog input value (A, AT) and analog output value (AQ);
4. Build-in ASCII code and multi-language characters; Build-in Chinese characters; User-defined Chinese characters;
5. Telephone number used by GSM module (SMS Alarm function).

HMI/TEXT editing and parameter setting interface, as shown below.

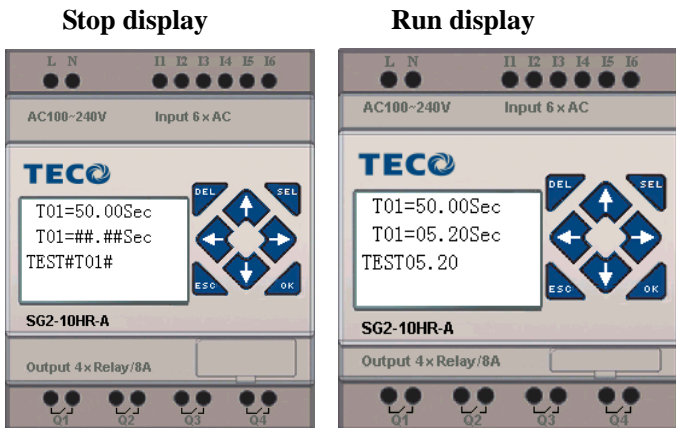


HMI/TEXT setting (step 1~7):



- ① Enter H01 coil
- ② Into HMI/TEXT edit frame
- ③ Choice the “T”
- ④ Choice the “E”
- ⑤ Choice T01 current
- ⑥ Choice T01 current (unit)
- ⑦ Choice T01 present (unit), user can modify T01 preset value when H coil enable and display on LCD.

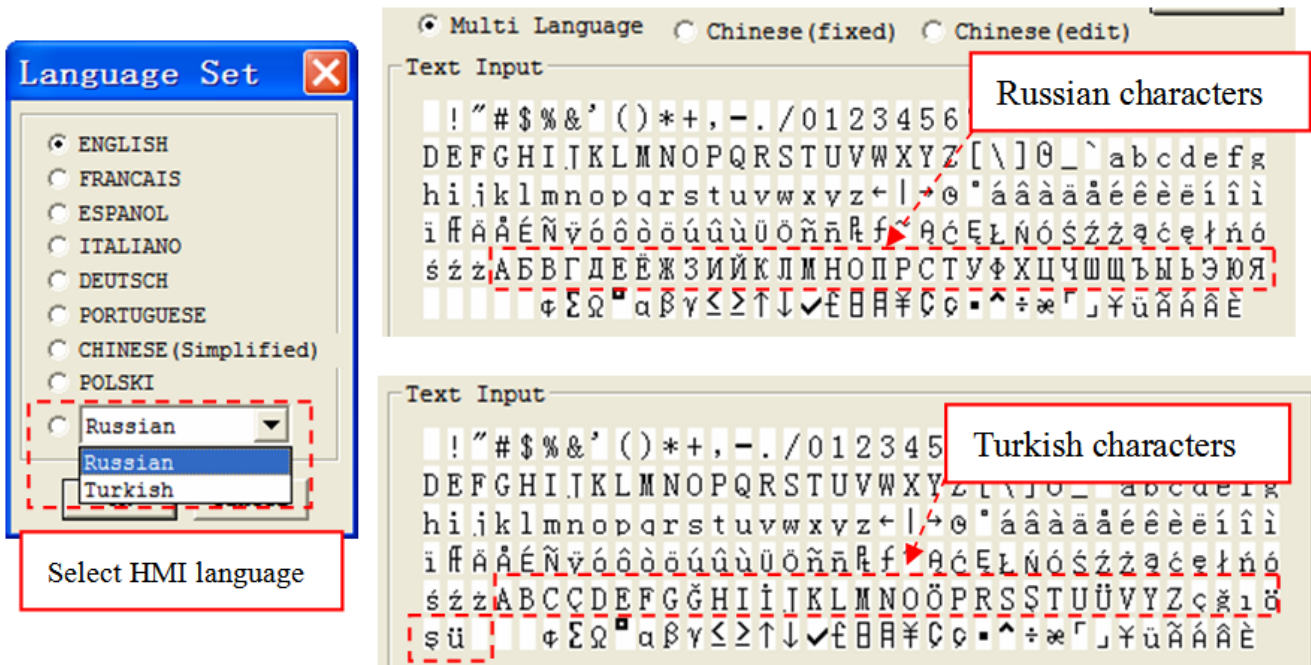
Download to SG2, and I01 turn ON, or press “SEL” if the H coils is set to mode 1, then the SG2 LCD will display the first H text as shown below.



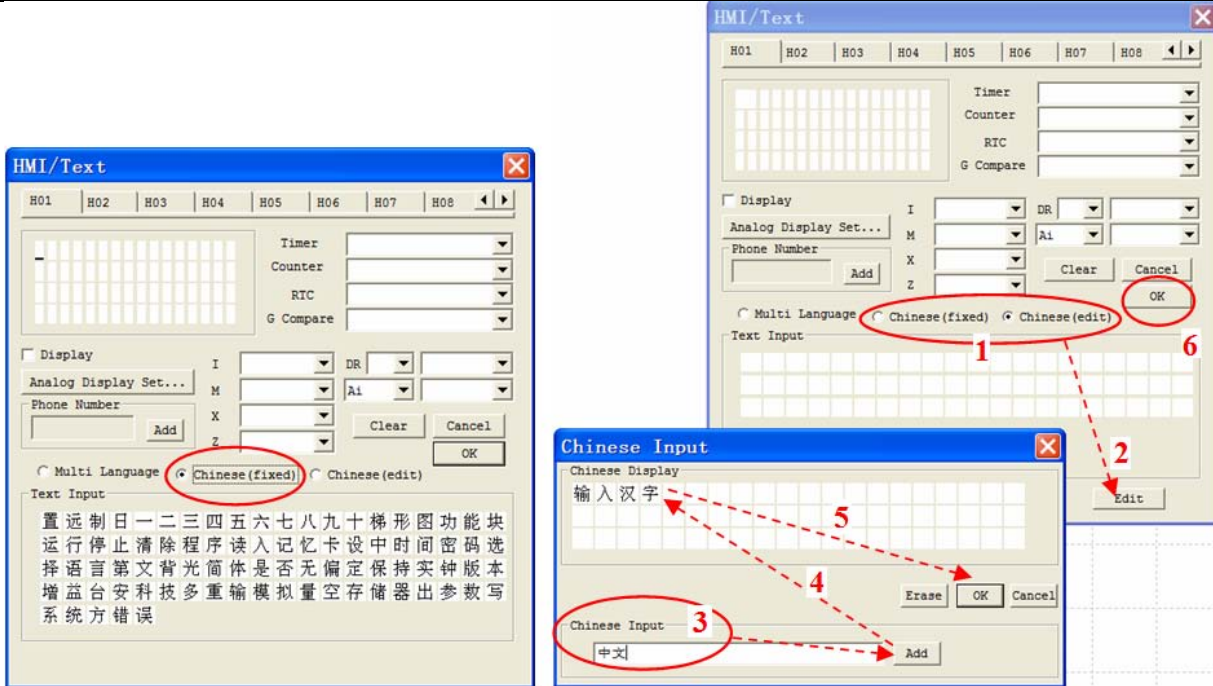
I, Press “↑” or “↓” to choice the nearest H coil
 II, Press “SEL”+“↑” or “↓”and “OK” update T01 preset value (In this example, 050.0 can update, T01 preset value depends on HMI/TEXT edit frame setting.)

Build-in ASCII code and multi-language characters:

Multi-language characters including English, French, Spanish, Italian, German, Portuguese, Polish;
 Also, according to the different settings, you can display Russian or Turkish characters.

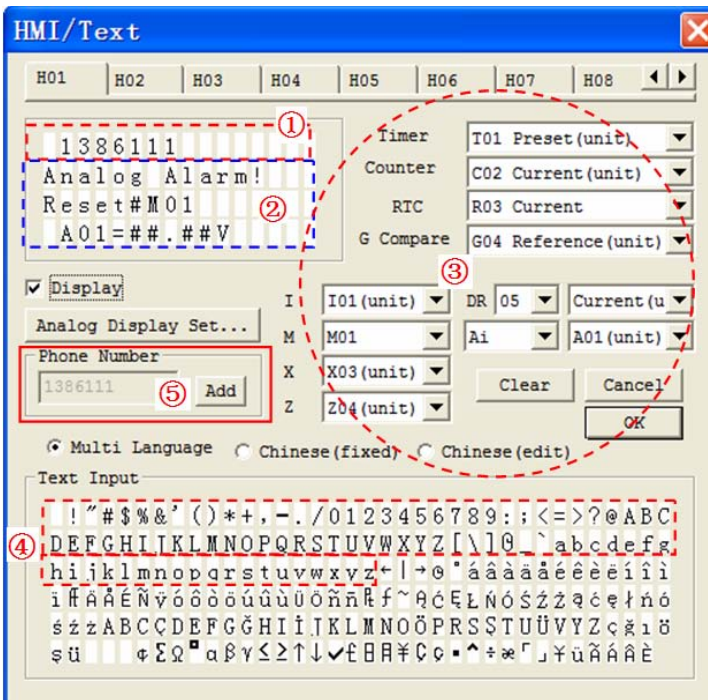


85 Built-in Chinese characters, which read as following left of the HMI/TEXT editor window;
60 characters which user define, edit step 1~6 as follows right of the HMI/TEXT editor window.



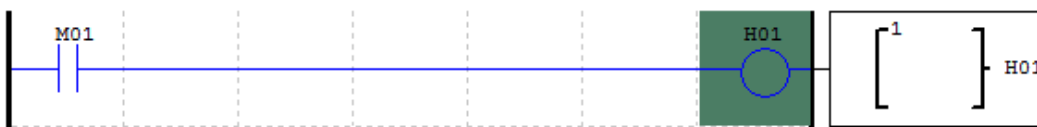
Setting telephone number (GSM module SMS function):

Build-in 20 HMI (H01~H14) can be set telephone number for SMS alarm. When HMI which set telephone is enabled, SG2 save text information. Extension GSM module send this HMI text to telephone after reading this HMI text.

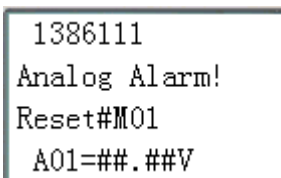


Line1 set telephone number (shown as ①). Only set by dialog⑤ and max 15 number characters.

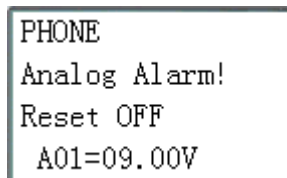
Line2~line4 set text information (show as ②), include preset value and current value of function block, coil status (shown as ③) and ASCII characters (shown as ④).



Stop display



Run display

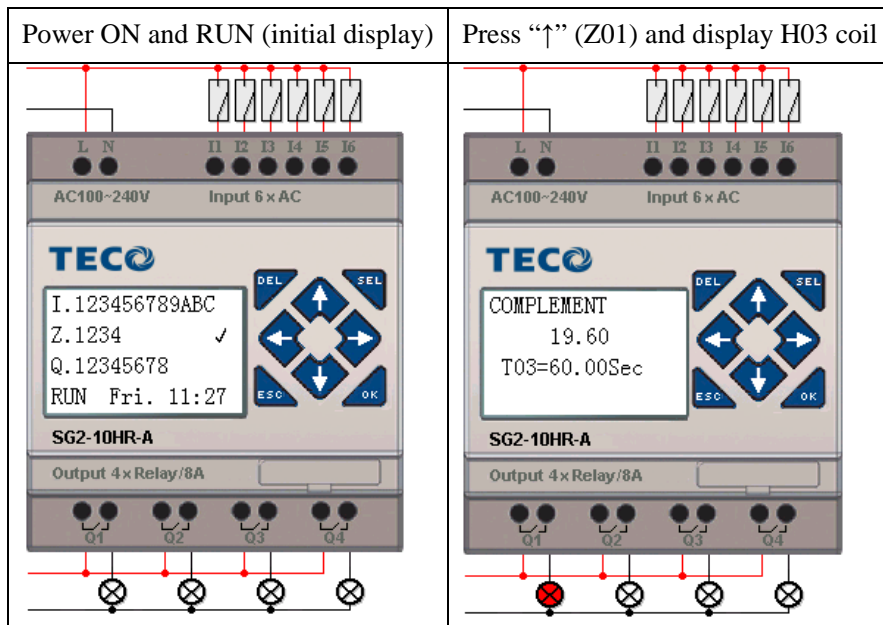
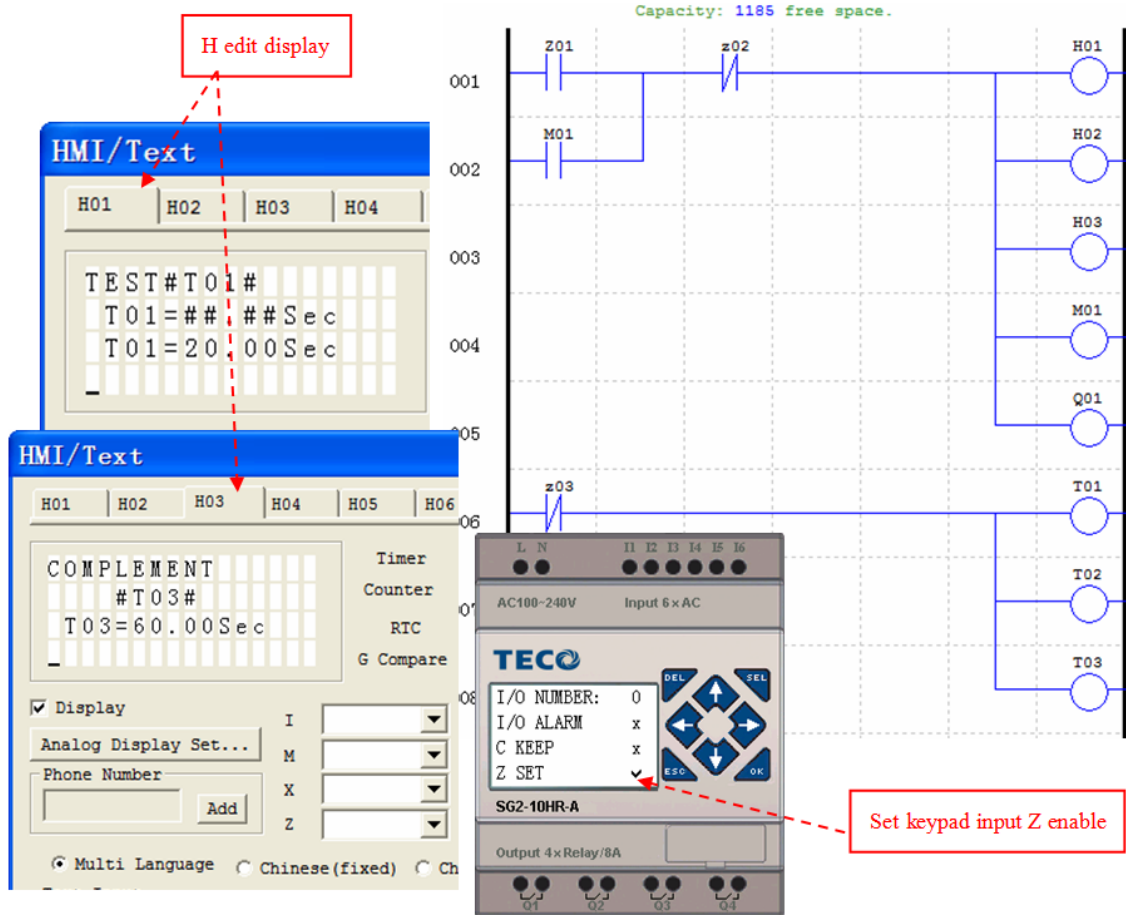


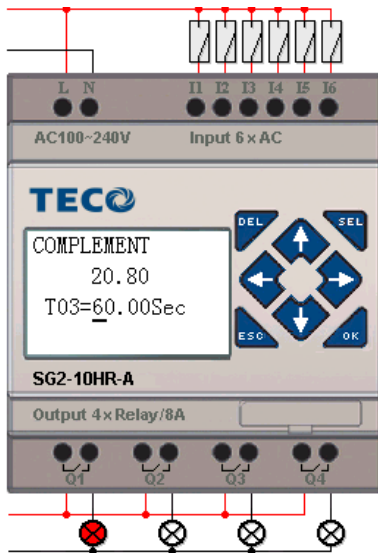
Example:

1, SG2 saved H01 display information (M01 status and A01 value) when M01 is enabled rising edge.

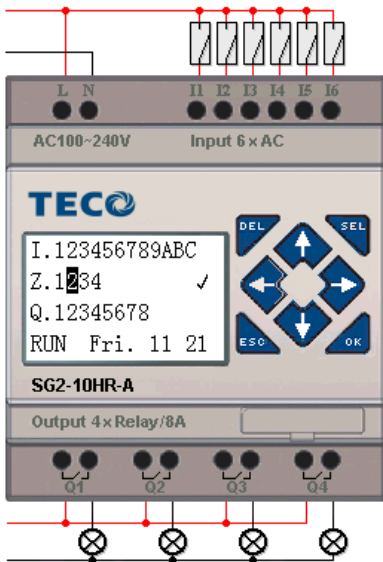
2, Extension GSM module send SMS to telephone (H01 line1 number) after reading message (H01 line2~line4 text information).

Example: HMI/TEXT and Z keypad input function





- ① Press “SEL” to display cursor
- ② Press “↑”, “↓”, “←”, “→” to move cursor
- ③ Press “SEL” again to choice modified position
- ④ Press “↑”, “↓” to change number and press “←”, “→” to move cursor
- ⑤ Press “OK” to make sure the modify value



Press “←” (Z02) to disable H03 coil, and the LCD display changes to initial frame.

Press “↓”(Z03) to reset Timer (T01、 T02、 T03) as program designed.

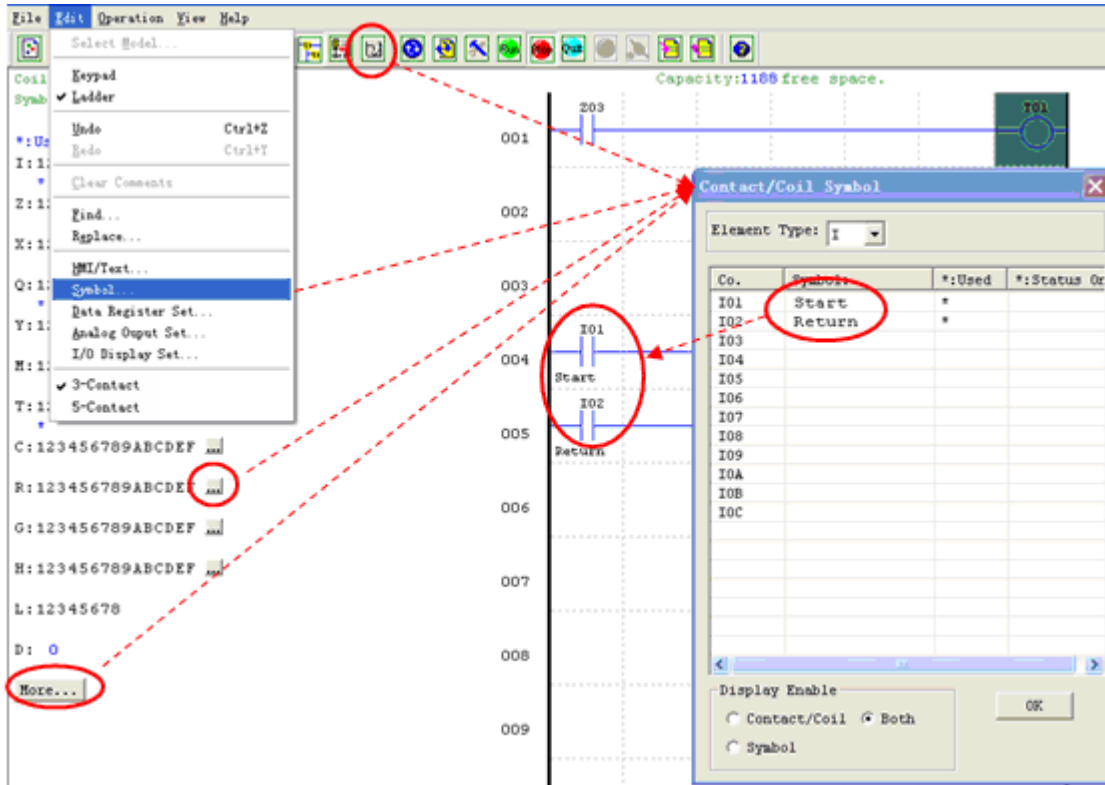
Program Documentation

The SG2 Client software includes the ability to document a program using Symbols and Line Comments. Symbols are used to label each I/O address up to a length of 12 characters. Line Comments are used to document sections of a program. Each Line Comment can have up to 4 lines with each line containing up to 50 characters in length. Below are examples of entering Symbols and Line Comments.

Symbol...

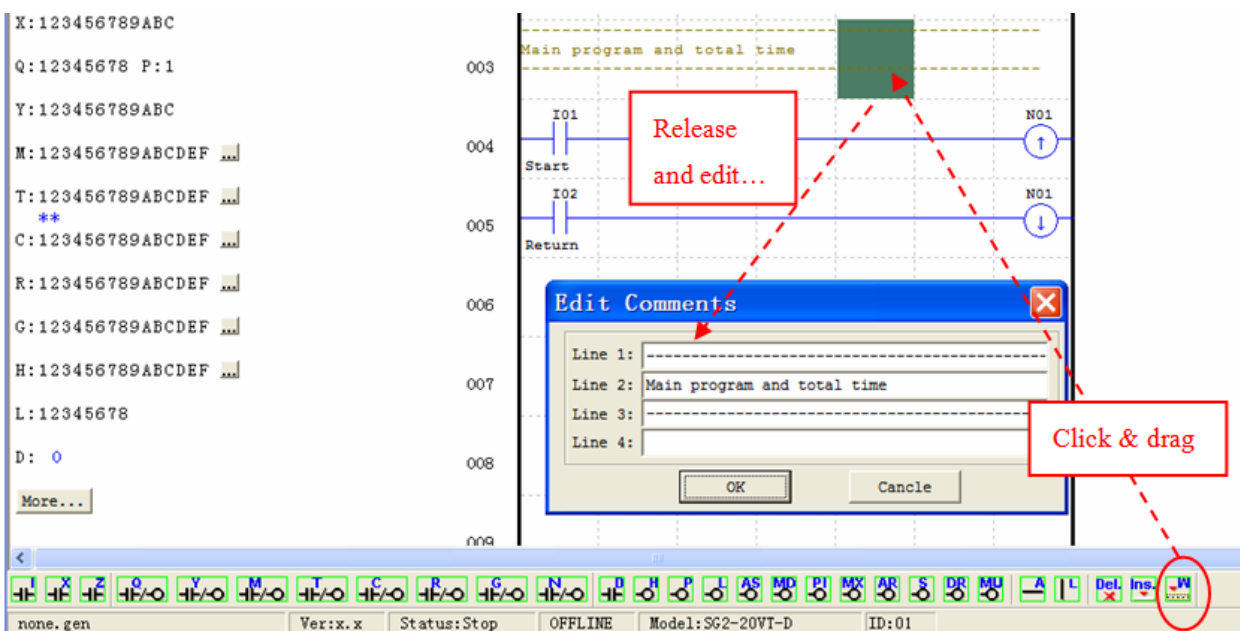
The Symbol editing environment can be accessed through the menu using the **Edit>>Symbol...** selection or using the symbol icon on the main toolbar shown below.

The Symbol editing environment allows for documenting all the contact and coil memory types, and selecting display modes as shown below.



Line Comments

The Line Comment editor is accessed by clicking the "W" icon on the Ladder Toolbar. After clicking on the "W" icon, to drag the line number you want to comment and release, and then type the desired comments and press OK.



Analog Output Set...

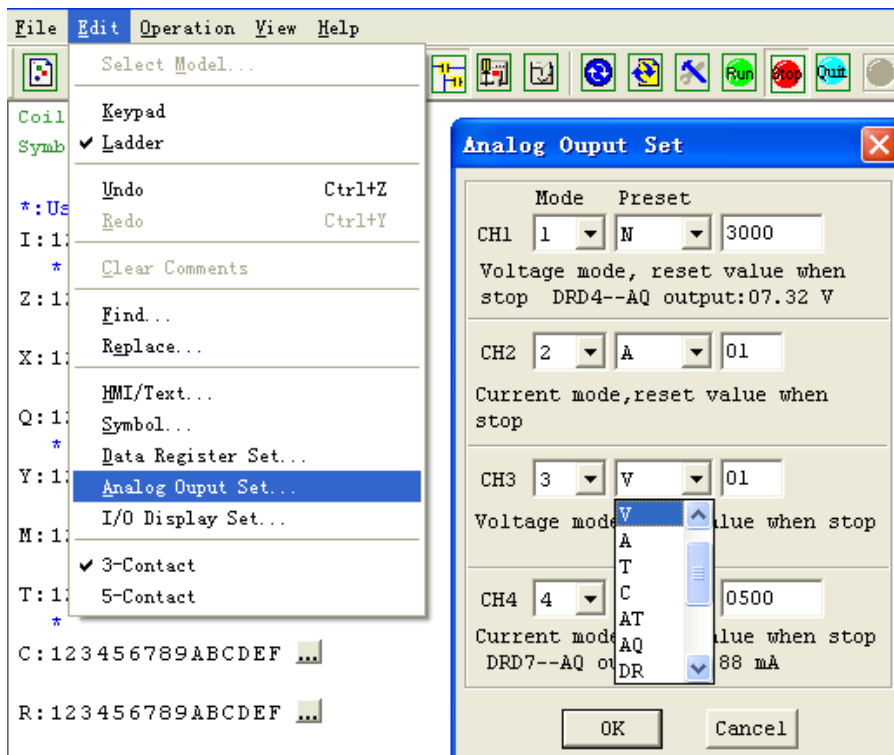
The AQ editing environment can be accessed through the menu using the **Edit>> Analog Output Set...** selection shown below. CH1~CH4 correspond to analog output AQ01~AQ04.

The range is 0~4095 if the output mode is voltage mode.

The range is 0~2047 if the output mode is current mode.

The preset value of AQ can be set as either a constant or a code of other data. The output mode of AQ and preset value are set as below. More information about output mode and displaying to see: [Chapter 4: Relay Ladder Logic Programming-AQ \(Analog Output\)](#).

AQ output mode (current or voltage) depends on the current value of DRD0~DRD3 register. The current value of DRD4~DRD7 decides the AQ output value!



The below table shows an example for the setting value and output results.

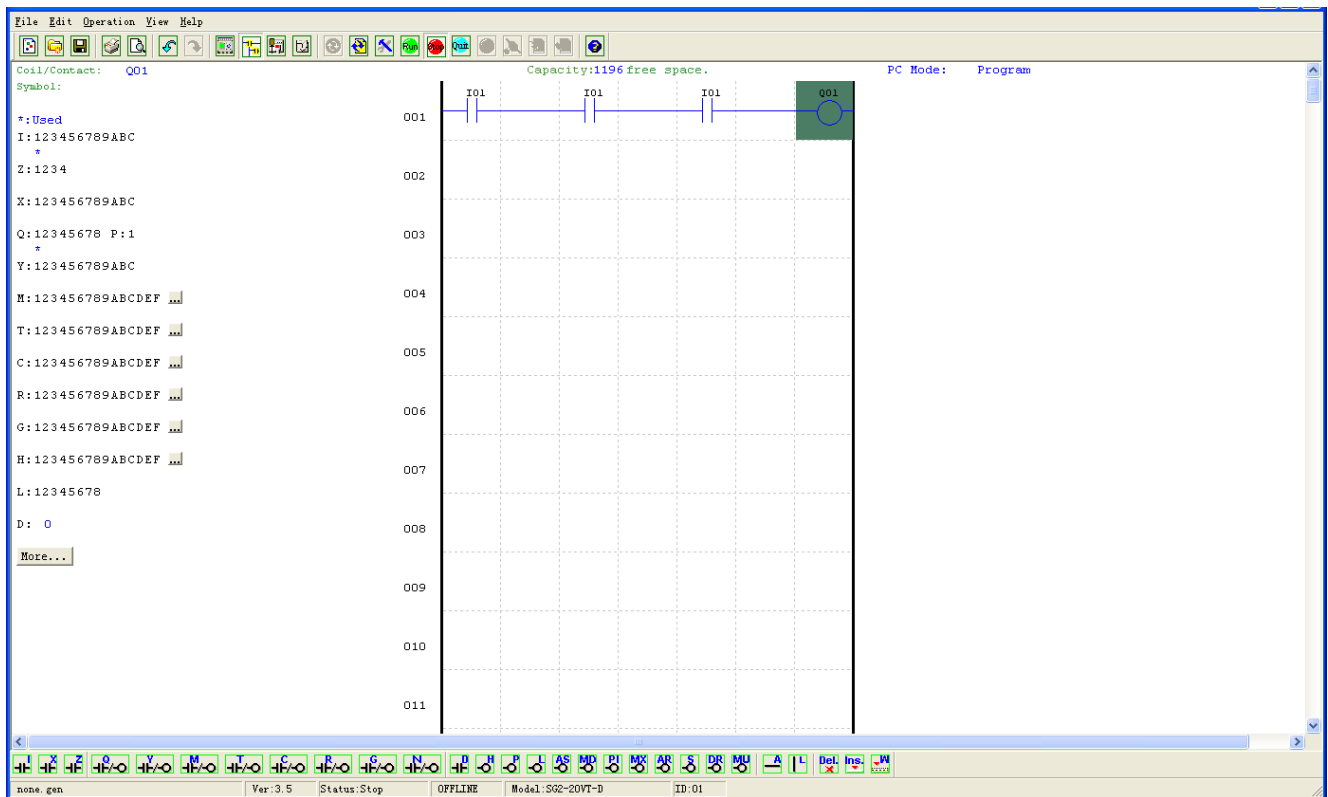
	Mode Register	Output Value Register	AQ output value
Channel1	DRD0=0 AQ output mode 1: voltage mode and reset value when stop;	DRD4=3000	AQ01=732 (DRD4/4.095) AQ output 7.32V
Channel2	DRD1=1 AQ output mode 2: Current mode and reset value when stop;	DRD5=A01*4.095 Current mode 0~2047	AQ02=A01 Current mode 0~500
Channel3	DRD2=2 AQ output mode 3: voltage mode and keep value when stop;	DRD6= V01*4.095 Voltage mode 0~4095	AQ03=V01 Voltage mode 0~1000
Channel4	DRD3=3 AQ output mode 4: Current mode and keep value when stop;	DRD7=2047	AQ04=500 (DRD7/4.095) AQ output 20.00mA

- ※ When output value type of AQ is set to constant, AQ output value changed by DR value ($AQ_x = DR_x / 4.095$);
- ※ When output value type of AQ is set to other parameters variables, DR value changed by AQ output value ($DR_x = AQ_x * 4.095$).

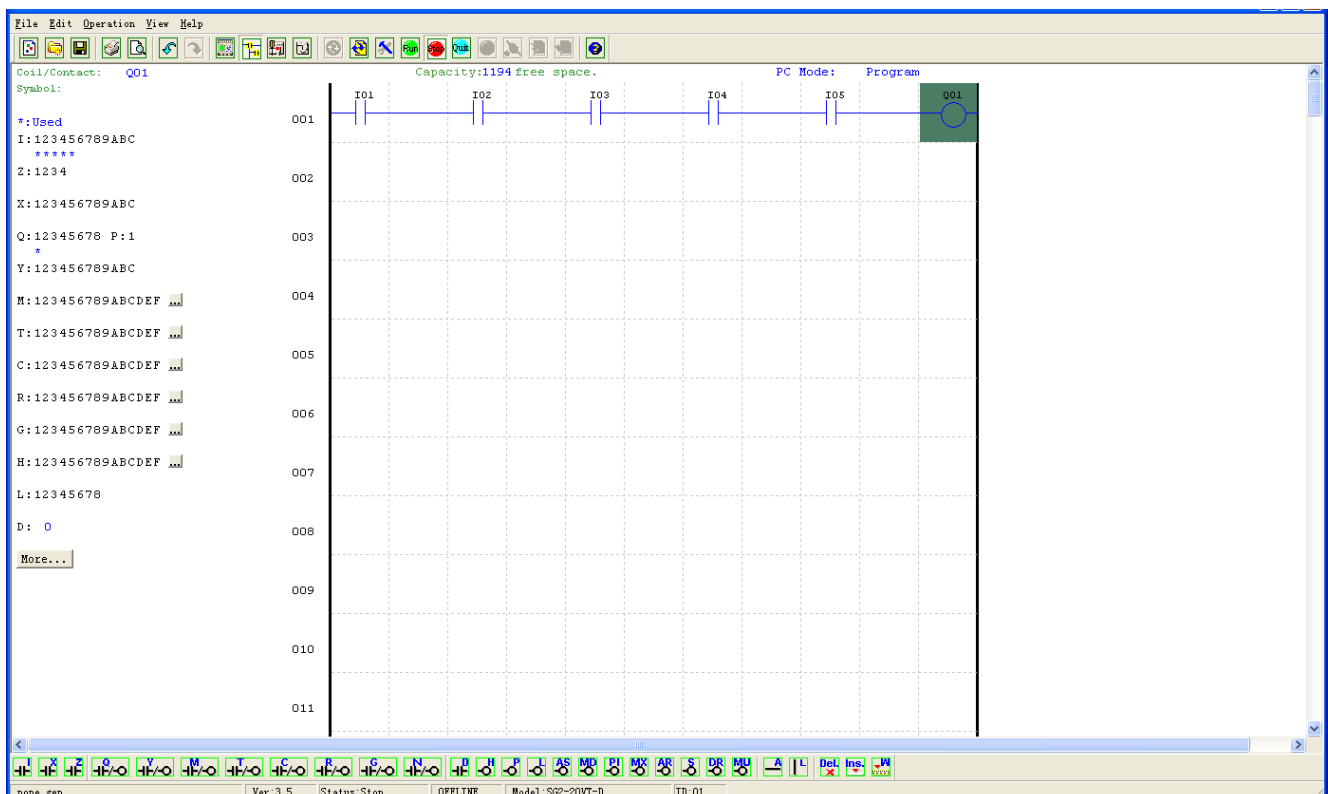
3-Contact/5-Contact

There are 3-contact and 5-contact edit modes available in SG2 LADDER mode.

In 3-Contact mode, there are three inputs and one output available in one ladder line. And the maximum line number is 300.



In 5-Contact mode, there are five inputs and one output available in one ladder line. And the maximum line number is 200.

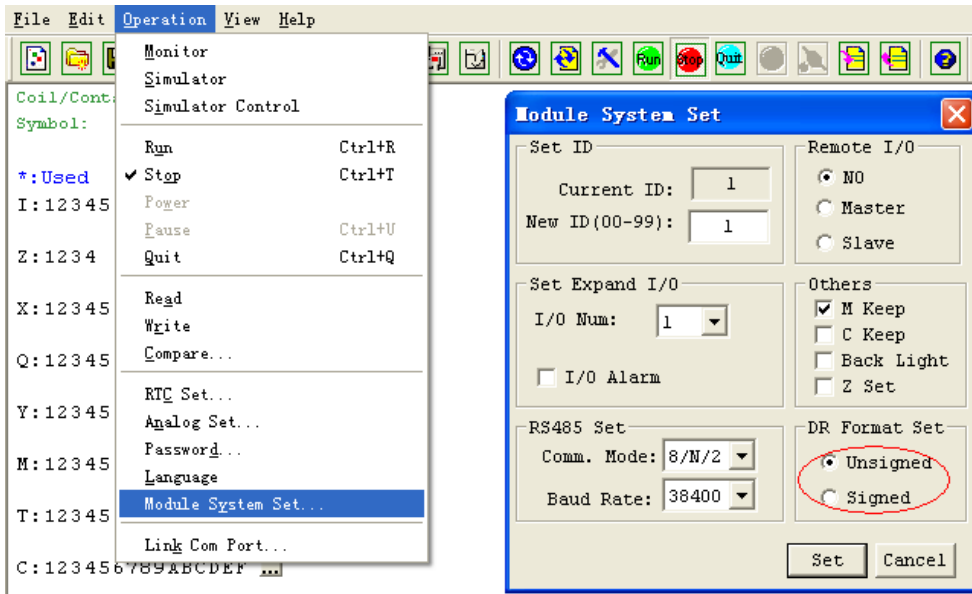


In 3-Contact mode, if the ladder line is more than 200, the mode can't change to 5-Row.

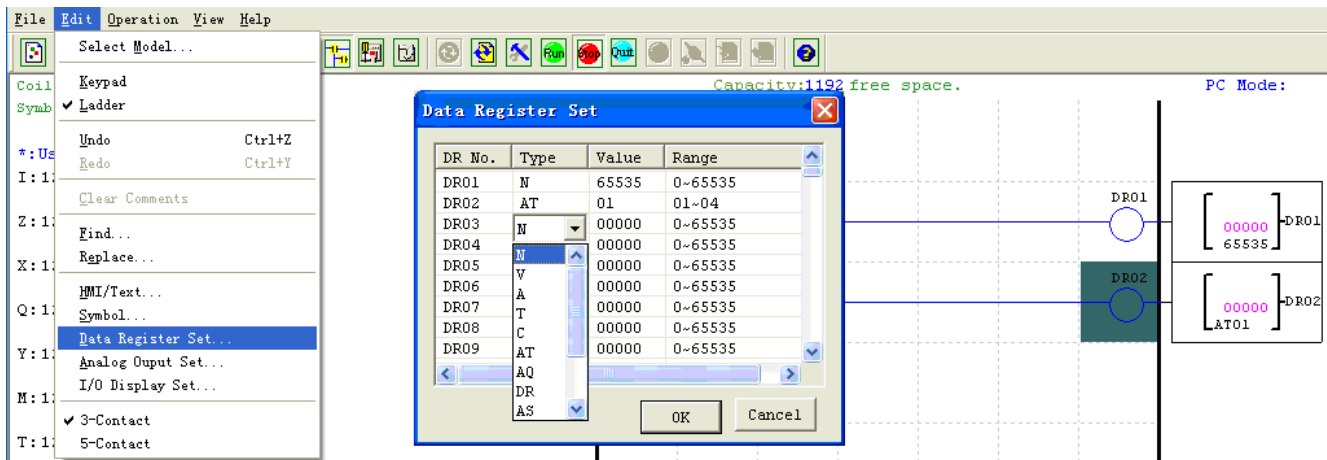
In 5-Contact mode, if the input coil number is more than three, the mode can't change to 3-Ros.

Data Register Set...

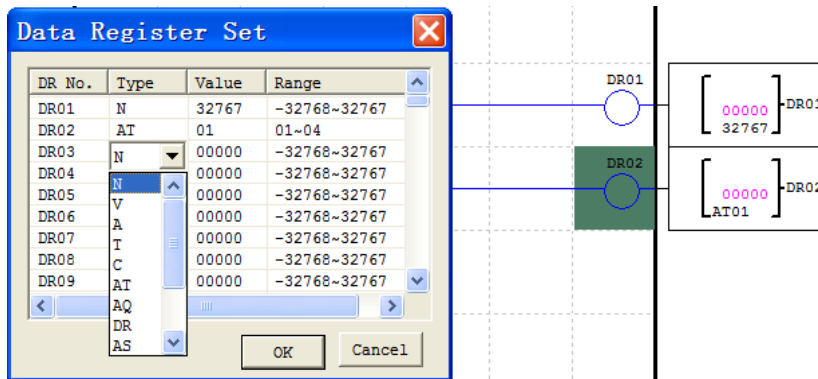
The content of Data Register is either unsigned or signed, it can be set as shown below. Selecting Unsigned, the range of DR is 0~65535; and selecting Signed, the range of DR is -32768~32767.



After the operating above, the Data Register editing environment can be access through the menu using the **Edit>> Data Register Set...** selection shown below. The preset value of DR can be set as either a constant or a code of other data type. For more information about DR to see: [Chapter 5: Relay Ladder Logic Programming-DR \(Data Register\)](#).



DR is set as signed shown below.



Special DR Register Function

If the special DR coil, DR65~DRF0, is used as a special register, it dose not need to be enabled; it works as common register (it current value will equal to the preset value) once it is enabled.

The DR65~DRF0 can retain the current value when stop or power down.

DRD0 ~ DRE3 as special registers used to set parameters, the output value function is as follows:

No.	Function description	
DRD0	AQ01 output mode	0, voltage mode and reset value when stop; 1, current mode and reset value when stop; 2, voltage mode and keep value when stop; 3, current mode and keep value when stop;
DRD1	AQ02 output mode	
DRD2	AQ03 output mode	
DRD3	AQ04 output mode	
DRD4	AQ01 output value	Analog output value 0~4095;
DRD5	AQ02 output value	
DRD6	AQ03 output value	
DRD7	AQ04 output value	
DRD8	I/O interface hidden	Refer to " Chapter3:LCD Display and Keypad > Original screen "
DRD9~DRE3	Reserved;	

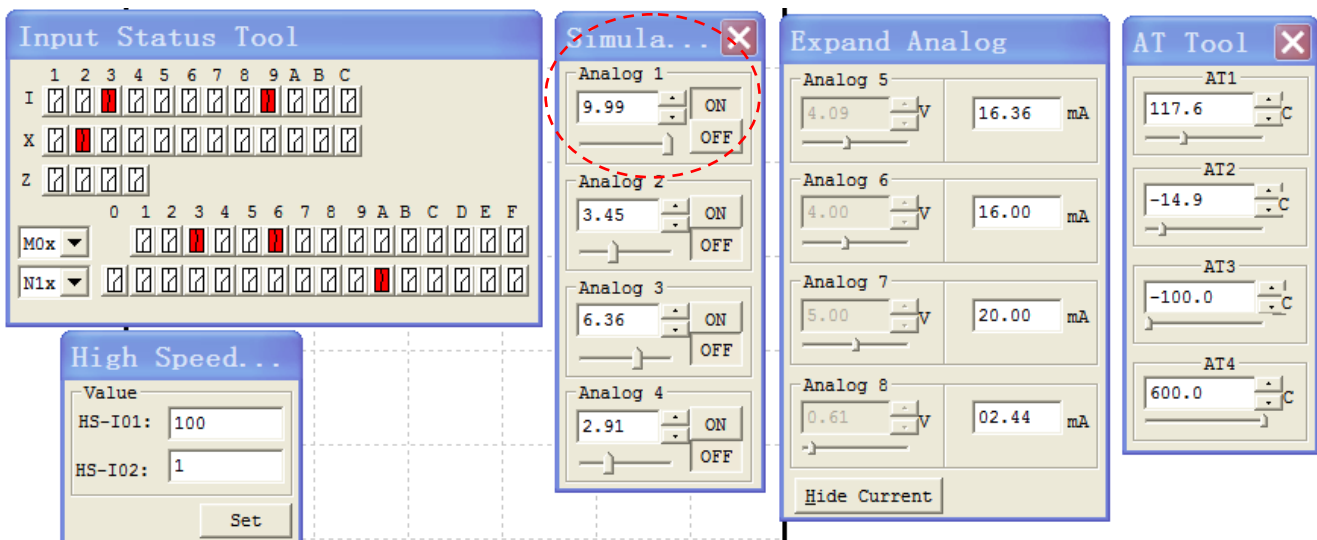
DRC9~DRCF and DRE4~DRF0 as special registers used to store status, the output current value function is as follows:

No.	Function description	
DRC9	Output pulse number of instruction PLSY	
DRCA	AT01 current degree Fahrenheit	Used as normal registers when no AT01~AT04 input, such as don't connected with extension module 4PT;
DRCB	AT02 current degree Fahrenheit	
DRCC	AT03 current degree Fahrenheit	
DRCD	AT04 current degree Fahrenheit	
DRCE	Reserved	
DRCF	Reserved	
DRE4	A05 input electric current 0~2000	Used as normal registers when no A05~A08 analog input, such as don't connected with extension module 4AI;
DRE5	A06 input electric current 0~2000	
DRE6	A07 input electric current 0~2000	
DRE7	A08 input electric current 0~2000	
DRE8	A01 current value 0~4095	Used as normal registers when no A01 and A02 analog input, such as AC type;
DRE9	A02 current value 0~4095	
DREA	A03 current value 0~4095	Used as normal registers when no A03 and A04 analog input, such as AC type or 12points DC type;
DREB	A04 current value 0~4095	
DREC	A05 current value 0~4095	Used as normal registers when no A05~A08 analog input, such as don't connected with extension module 4AI.
DRED	A06 current value 0~4095	
DREE	A07 current value 0~4095	
DREF	A08 current value 0~4095	
DRF0	Reserved	

View menu

The view menu includes software display option selection. The following explains the details of each function.

View	Functional Description
✓ I/Q	Display usage list
✓ Function	Display function block and parameter
✓ Capacity	Display capacity left space
✓ Input Status Tool	Monitoring or Simulation coil status (I, X, Z, M, N)
Data Link Status Tool...	Simulation IO Link W status(only RS485 type)
✓ Simulation Analog Tool...	Monitoring or Simulation analog input A01~A04(only DC type)
✓ Expand Analog Tool...	Monitoring or Simulation expand analog input A05~A08
✓ High Speed Input Tool...	Simulation high speed input(only DC type)
✓ AT Tool...	Monitoring or Simulation expand temperature input AT01~AT04
✓ Ladder Toolbar	Display Ladder Toolbar

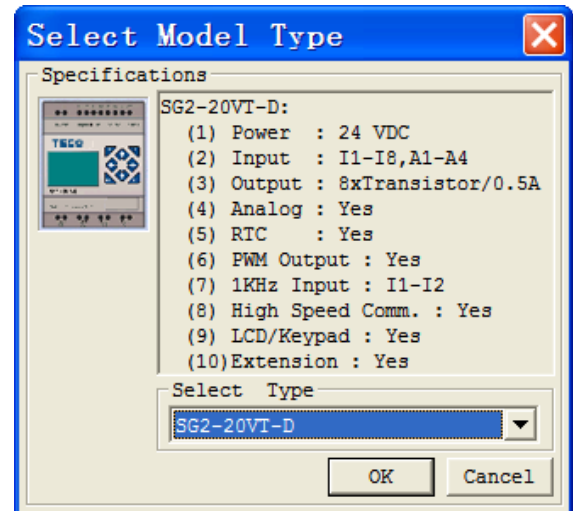


- Analog input A01~A04, correspond to coil input I09~I0C;
When analog input increased to 9.98v, the coil input set ON;
When analog input reduced to 5.00v, the coil input set OFF;
- Expand analog input A05~A08, the input data value 0~9.99v, and current display mode 0~20.00mA;
- Expand temperature input AT01~AT04, the input data value -100.0~600.0°C;
- High speed input tools, used for simulation high speed input I01&I02.

FBD Programming Environment

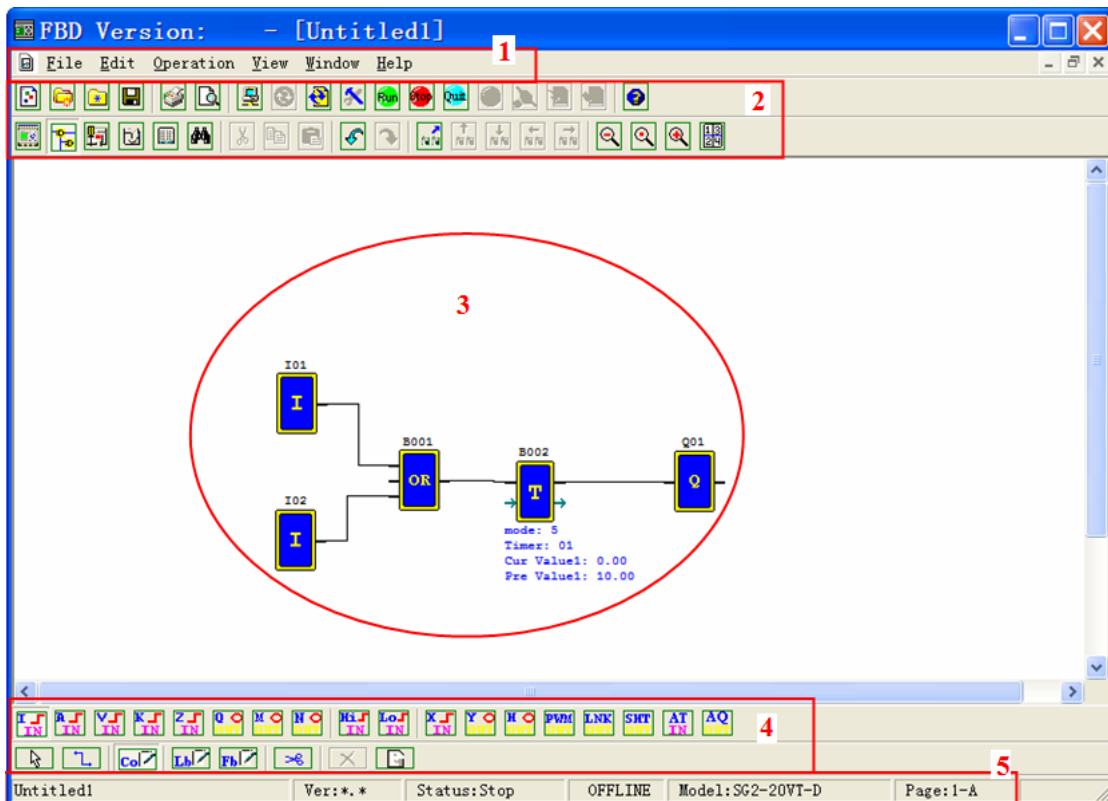
The FBD Programming Environment includes all the functions for programming and testing the SG2 using the FBD programming language. To begin a new program select **File-->New**, and select the desired model of SG2, as shown right.

FBD programming operation is same as Ladder.

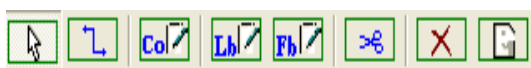


Menu, Icons and Status Bar

FBD environment include menu, icon and status bar refer to below figure.



1. Menu: 6 menu options, including file operations, editing, and SG2 communications settings, configure the special features, display settings, help information and other functions;
2. Tools bar: The first line of icons from left to right in turn is expressed as: new, open, save program icons, monitoring, simulation, control mode change (RUN, STOP, QUIT), read program form SG2, write program to SG2; The second line of icons from left to right in turn is expressed as: button panel displays, FBD display, HMI / TEXT editor, comments Symbol Editor icon, the parameter list, etc.;
3. Programming Area: Coils and logic function blocks which need to be edited should put into this area, and use the connection to connect;
4. FBD tools bar: Each option can be chosen to edit the coil and function block instructions;

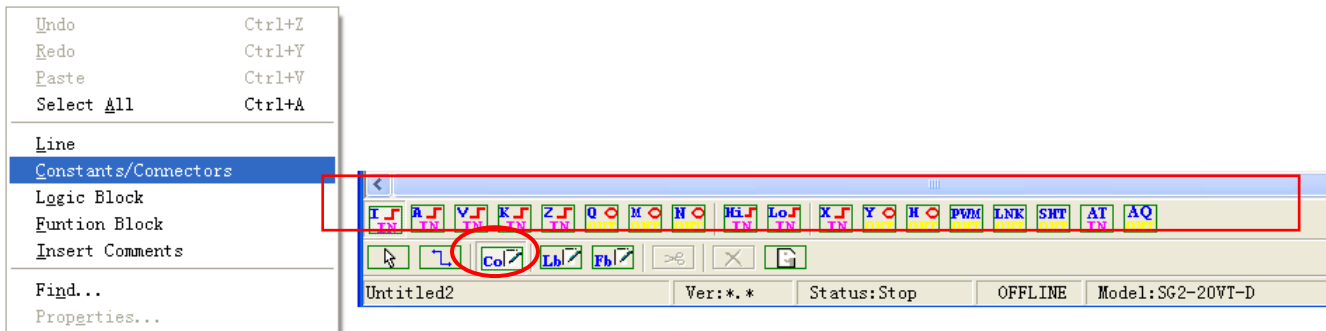


From left to right for normal selection operation, connection, coil, logic function blocks, special function blocks, scissors operation, deletion, and annotation tools.

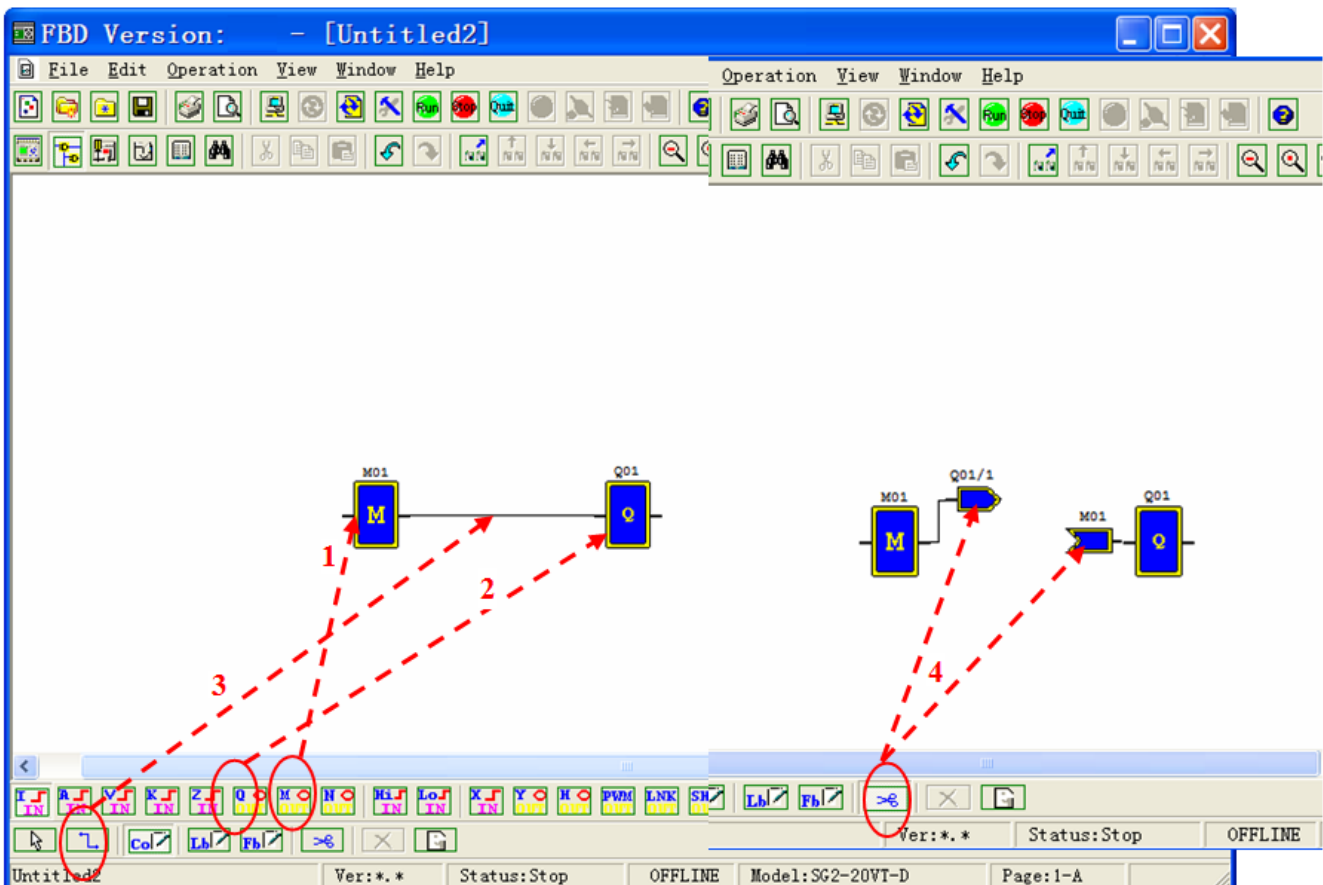
5. Status bar: Indicates that the current program and the connection status and other information SG2;

Programming

The program can be edited by mouse, the following example describes the instructions for programming. Click the right mouse button, selecting “**Constants/Connectors**” on the appearing screen like below left one, or simply click on the FBD the toolbar (see below right), then all available coil icons will come out.

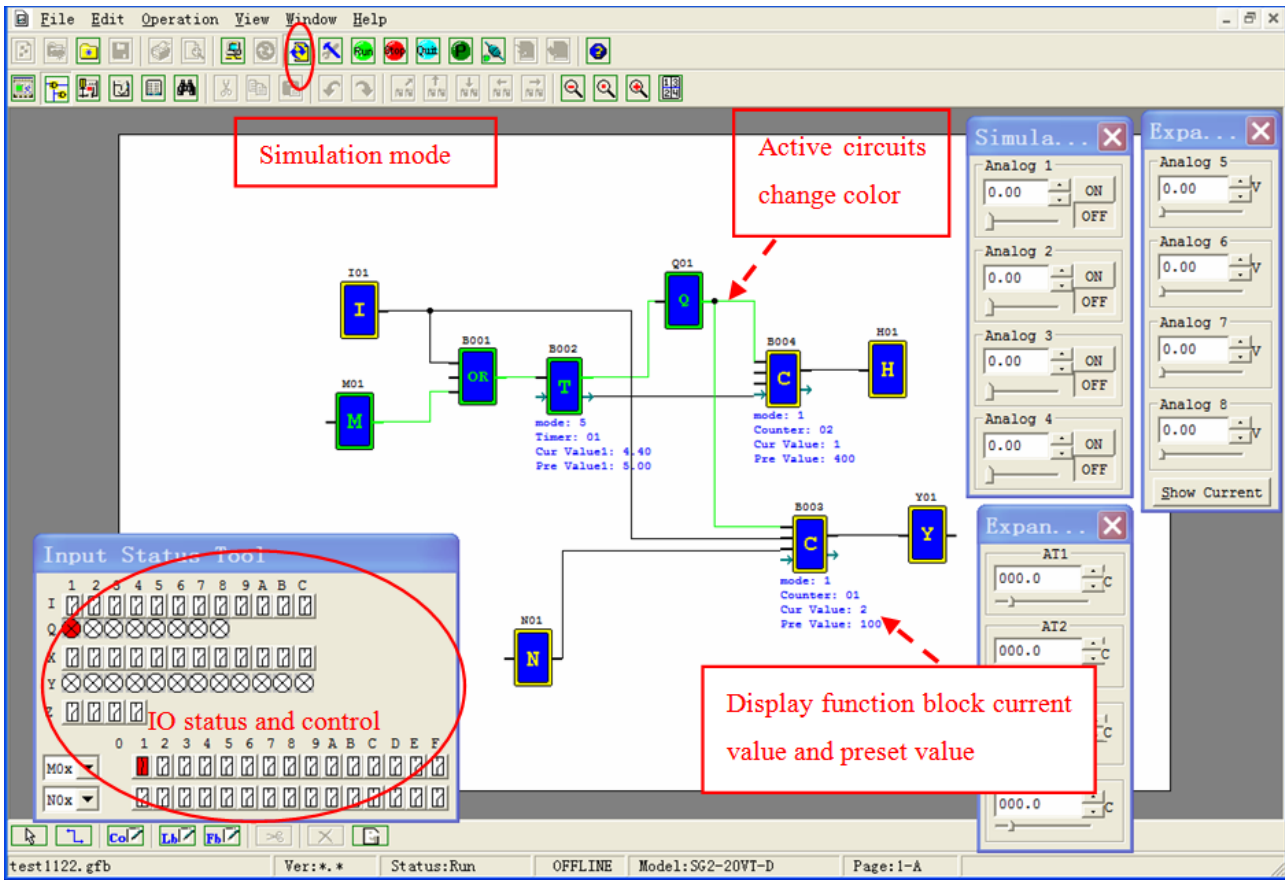


Were selected symbol "M" and the "Q", the icon will be put to the editor area, and used to connect the two coils connected as the left part of (Operation 1~3); if multiple cross-connections, they can use "scissors" functional separation of the connection shown in the following figure the right part (operation 4);

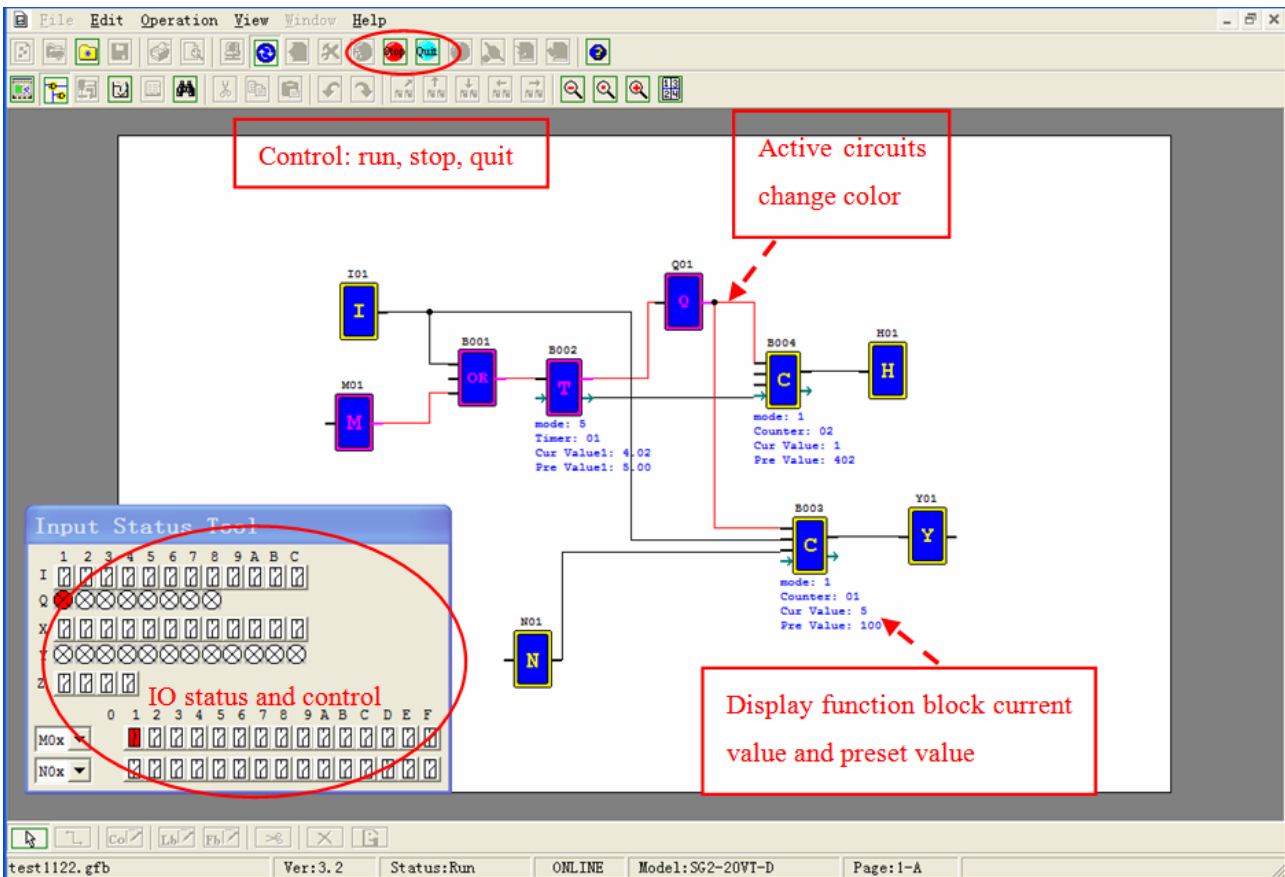


Simulation Mode

SG2 Client build-in simulation test function, the following diagram shows the display characteristics in simulation mode.

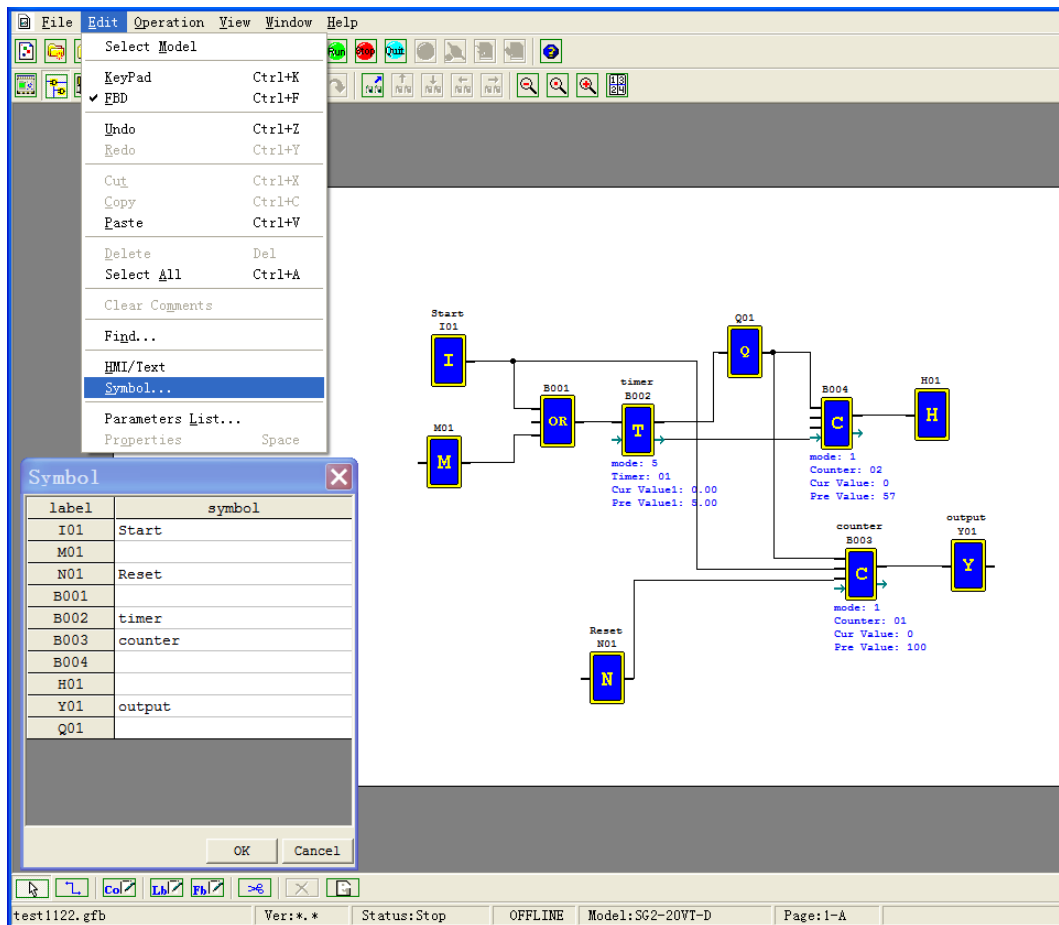


Online Monitoring/Editing

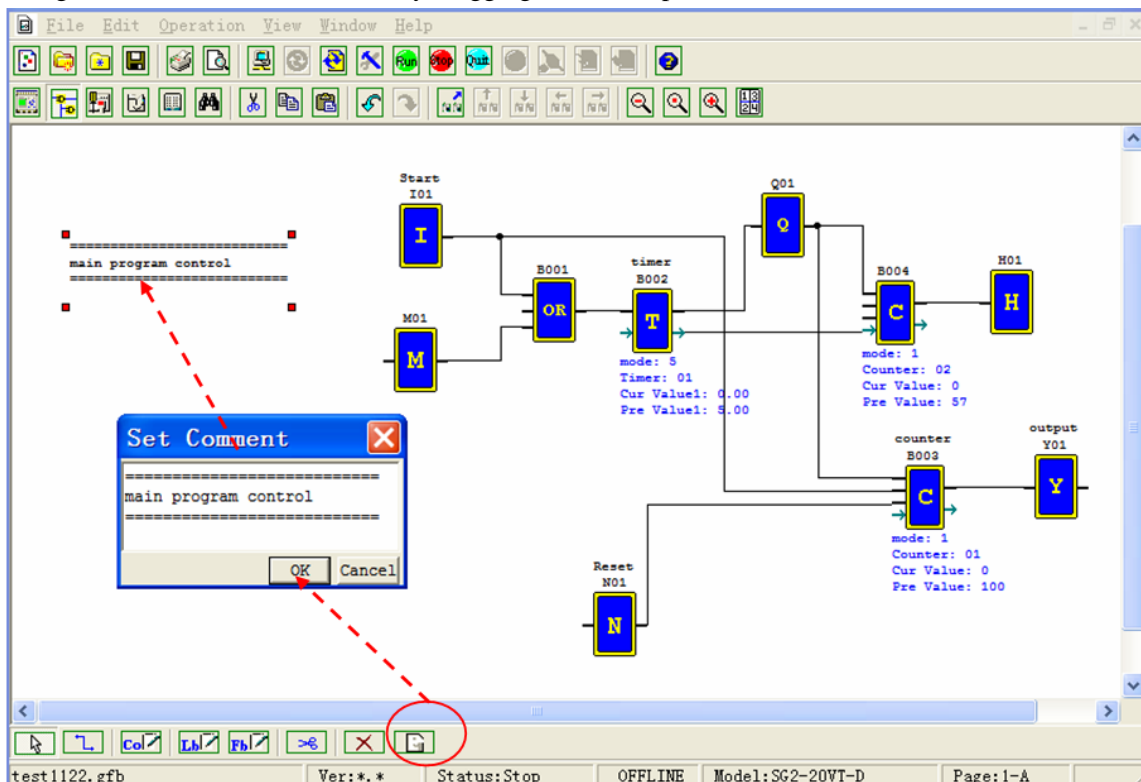


Symbol and Parameters list

FBD list symbols for coils and function blocks which only been used in program, and will comment tags appear in the program;

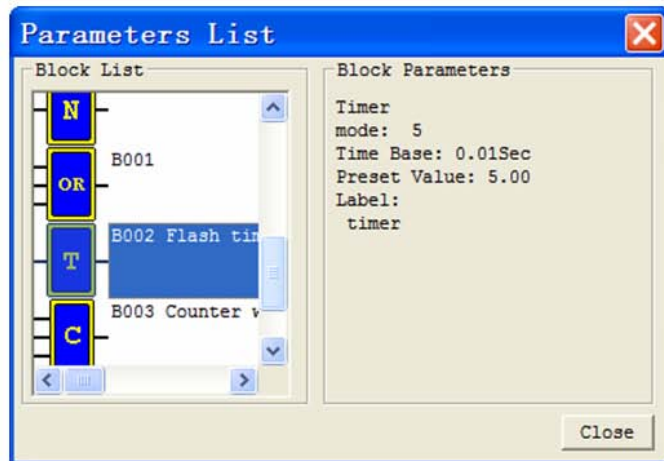
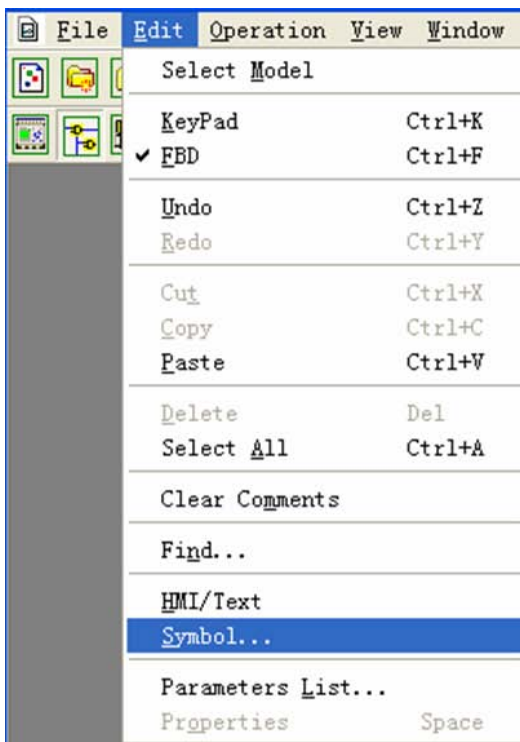


Symbol also can describe the function of main program. The following diagram operation, click the toolbar "Comments", Comments configuration dialog box appears, edit and click "OK", notes will be displayed in the programming interface, and can be moved by dragging the mouse position.




Parameters List:

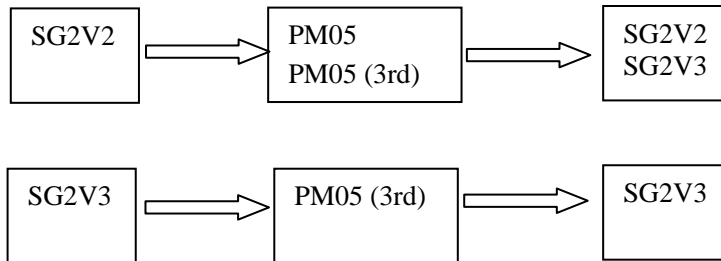
Parameters list display coils and functional blocks which used in program and explain coil functions and tags, function block settings and markings and other information, as shown below.



Memory Cartridge (sold separately)

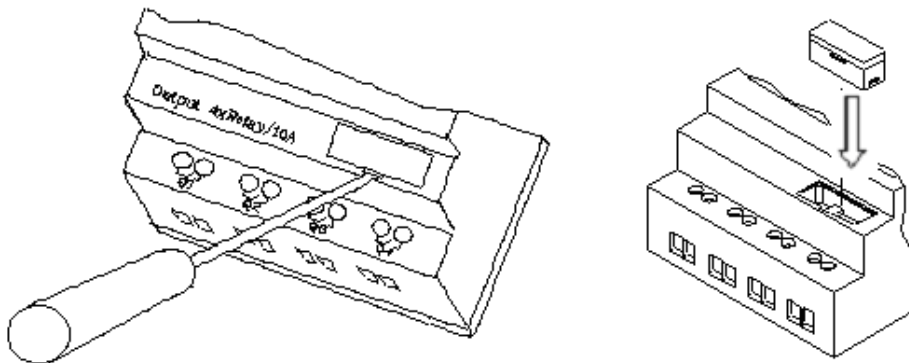
PM05 (3rd) is a special kind of PM05, it can be used in all version of SG2. There is an icon  on SG2 V3 smart and side of PM05 (3rd).

About to use PM05 and PM05 (3rd) with SG2V2/3, see next figure:



The optional PM05 (3rd) memory cartridge is used to easily transfer programs from one smart relay to another. The PM05 (3rd) memory cartridge plugs into the same connector as the programming cable (see procedure below).

1. Remove the plastic connector cover from SG2 using a flathead screwdriver as shown in the figure below.
2. Insert the PM05 (3rd) memory cartridge onto the connector as shown below.

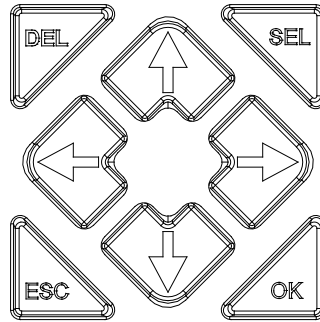


3. From the display keypad on the face of the SG2 smart relay, select either **WRITE** or **READ** to transfer the program to PM05 (3rd) or from the PM05 (3rd) memory cartridge to the smart relay.
4. K type and C type, electrify the product, the program in PM05 (3rd) will automatically download and executed.
5. Program in different types are not compatible, here are the regulations:
 - A-1: 10/12 point type program ---- available in 20 point type
 - A-2: 20 point type program ---- unavailable in 10/12 point type
 - B-1: AC type program ---- available in DC type
 - B-2: DC type program ---- unavailable in AC type
 - C-1: Relay type program ---- available in Transistor type
 - C-2: Transistor type program ---- unavailable in Relay type
 - D-1: Not-RS485 type Model program ---- available RS485 type Model
 - D-2: RS485 Model type program ---- unavailable Not-RS485 type Model
 - E-1: SG2V2 program ---- available SG2V3 type
 - E-2: SG2V3 program ---- unavailable SG2V2 type

LCD Display and Keypad

Keypad

Most SG2 CPU units include the built-in LCD Display and Keypad. The keypad and display are most often used for changing timer/counter set points, controller mode changes (Run/Stop), uploading/downloading to the PM05 memory cartridge, and updating the RTC (Real Time Clock/Calendar). Although, logic programming can be performed from the keypad and display, it is highly recommended to only perform logic changes using the SG2 Client software. Below is an overview of the basic keypad and display functions.



Select (SEL) – Used to select the available memory and instruction types for editing. Holding the Select button will display all “H” HMI/Text messages on the LCD.

OK – Used to accept the selection displayed of an instruction or function. It is also used to select any of the Main Menu options on the LCD.

Note: Press the “SEL” and “OK” simultaneously to insert a rung above the current active cursor position.

Escape – Used to exit a selected display screen and go to the previous screen. When in a ladder display screen, press the ESC to display the main menu.

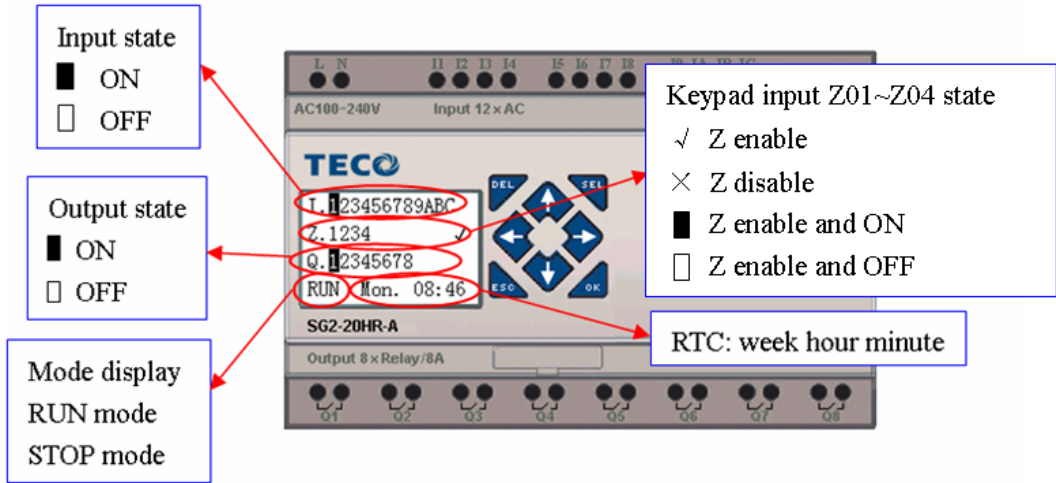
Delete – Used to delete an instruction or rung from the ladder program.

The 4 navigation buttons (↑←↓→) are used to move the cursor throughout the functions of the SG2 display or active program. The 4 buttons also can be set programmable input coils Z01-Z04 (‘↑’= Z01, ‘←’=Z02, ‘↓’=Z03, ‘→’=Z04);

Original Screen

LCD displays 4-line state

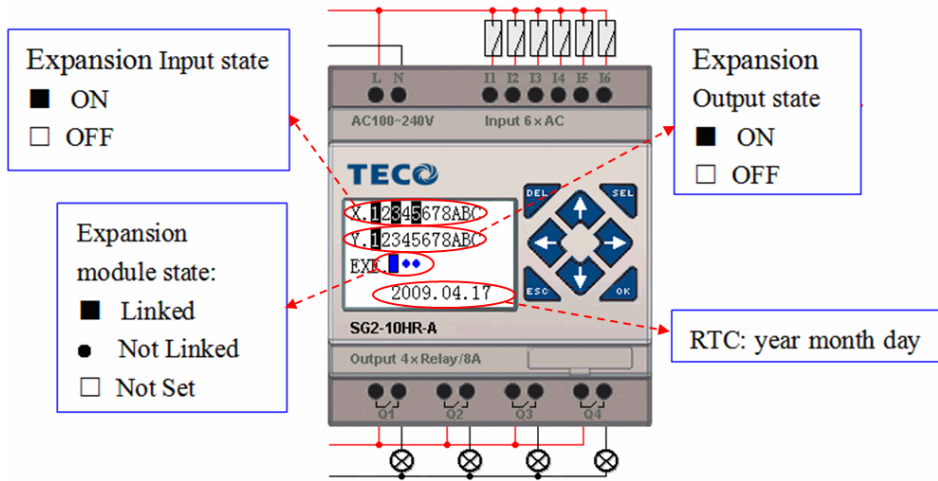
⊙ Original screen as power on



Press the button:

ESC	Enter Main Menu screen
SEL+↑ ↓	Under LADDER Mode, DRD8 current value=0, display the state of relays (I/Z/Q ⇔ X/Y ⇔ M ⇔ N ⇔ T ⇔ C ⇔ R ⇔ G ⇔ A ⇔ AT ⇔ AQ) ⇔ Original Screen
Or ↑ ↓	Under FBD Mode, DRD8 current value=0, display the state of relays (I/Z/Q ⇔ X/Y ⇔ M ⇔ N ⇔ A ⇔ AT ⇔ AQ) ⇔ Original Screen
SEL+← →	When display A05~A08 value, change voltage or current mode
Or ← →	When display AT01~AT04 value, change Celsius display or Fahrenheit display
SEL	H Function will be displayed whose mode is 1 as the button is pressed.
SEL+OK	Enter RTC setting screen

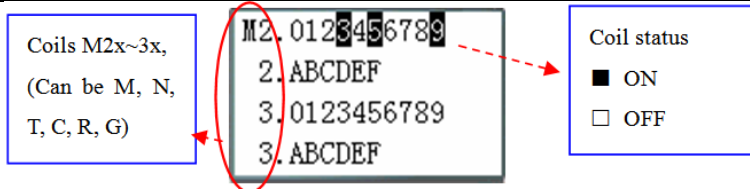
⊙ Expansion display State



※ Expansion module setting: refer to Main Menu “SET”

⊙ Other Display State

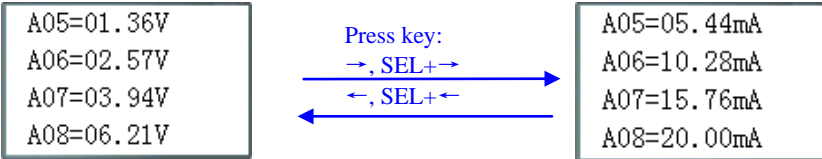
Coils M、N、T、C、R、G status: (T/C/R/G display only Ladder mode)



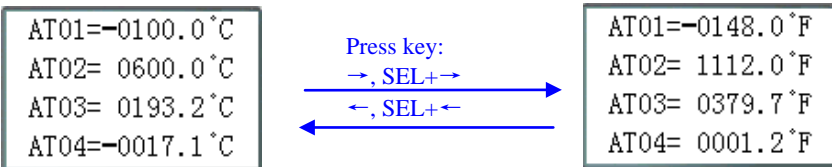
Analog input A01~A04: 0~9.99V

```
A01=01.00V
A02=02.00V
A03=01.30V
A04=07.04V
```

Expansion Analog input A05~A08: 0~9.99V or 0~20.00mA

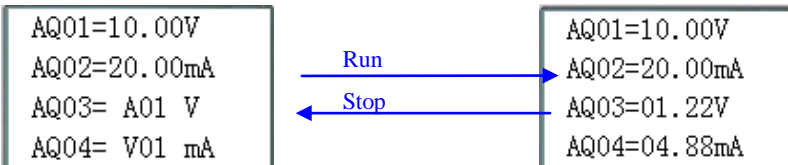


Expansion temperature analog input AT01~AT04: -100.0~600.0 Cent degree or -148.0~1112.0 Fahrenheit degree



Expansion analog output AQ01~AQ04: 0~10.00V or 0~20.00mA

※ Setting voltage mode or current mode, more information to see: [Chapter 4: Relay Ladder Logic Programming-AQ\(Analog Output\)](#).



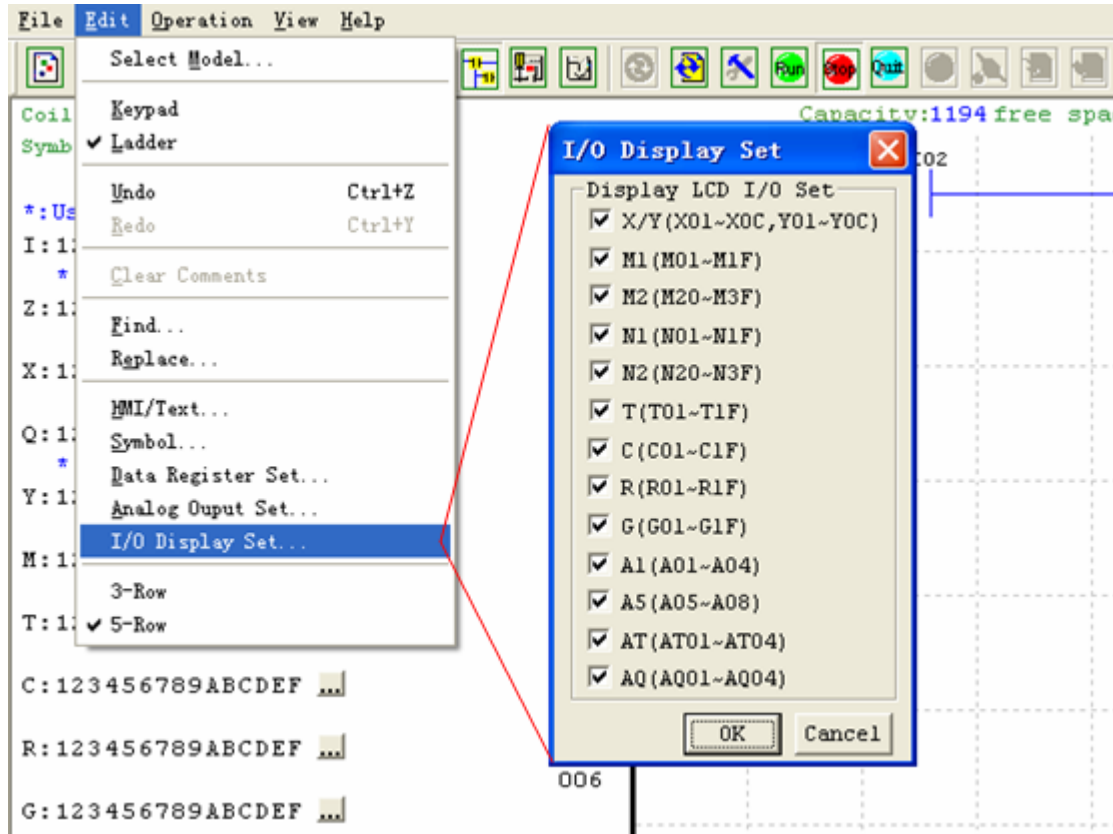
◎ Hidden I/O interface function:

SG2 can display the states for 14 sorts of coil, as shown in below table. Each bit of DRD8 current value (except bit 14 and 15) determines the corresponding IO interface to be displayed or not. When one bit equal 1, the corresponding I/O interface is hidden (mean you can't display the I/O interface by pressing SEL+↑↓ or ↑↓).

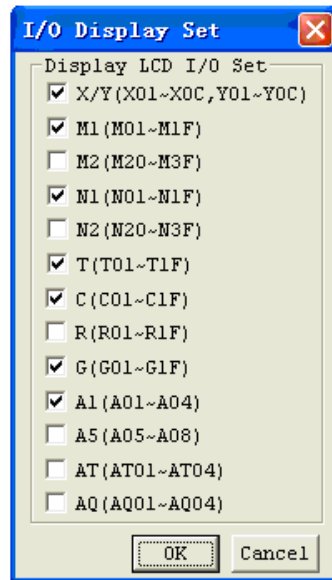
Num	I/O interface		DRD8 current value
0	I/Z/Q:	I01~I0C,Z01~Z04,Q01~Q08	Bit0:* always display
1	X/Y	X01~X0C,Y01~Y0C	Bit1:=0 Display; =1 Not displayed
2	M1	M01~M1F	Bit2:=0 Display; =1 Not displayed
3	M2	M20~M3F	Bit3:=0 Display; =1 Not displayed
4	N1	N01~N1F	Bit4:=0 Display; =1 Not displayed
5	N2	N20~N3F	Bit5:=0 Display; =1 Not displayed
6	T	T01~T1F	Bit6:=0 Display; =1 Not displayed
7	C	C01~C1F	Bit7:=0 Display; =1 Not displayed
8	R	R01~R1F	Bit8:=0 Display; =1 Not displayed
9	G	G01~G1F	Bit9:=0 Display; =1 Not displayed
10	A1	A01~A04	Bit10:=0 Display; =1 Not displayed
11	A5	A05~A08	Bit11:=0 Display; =1 Not displayed
12	AT	AT01~AT04	Bit12:=0 Display; =1 Not displayed
13	AQ	AQ01~AQ04	Bit13:=0 Display; =1 Not displayed

e.g. In order to hide some I/O interfaces. You can set DRD8 current value through running a Ladder/FBD program, you also can setting it by PC-LINK as shown below:

1. Open “Edit>I/O Display Set...”:



2. Setting “I/O Display Set” as the picture shown below, and click OK :



3. Down load the program.

This time I/O interface “M20~M3F, N20~N3F, R01~R1F, A05~A08, AT01~AT04, AQ01~AQ04” are hidden:

SEL+↑↓	Under LADDER Mode,DRD8 current value=1750, display the state of relays (I/Z/Q ⇔
Or ↑↓	X/Y ⇔ M 1⇔ N2 ⇔ T ⇔ C ⇔ G ⇔ A1) ⇔ Original Screen

※ I/O interface can be hide in the same way in FBD.

LCD Display Main Menu

(1) The Main Menu as SG2 under 'STOP' Mode.

Press "ESC" key on keypad after power on for entering into the Ladder main menu or FBD main menu, which depends on the program format, Ladder or FBD mode in SG2.

>LADDER FUN.BLOCK PARAMETER RUN	>FBD PARAMETER RUN DATA REGISTER
DATA REGISTER CLEAR PROG. WRITE >READ	CLEAR PROG. WRITE READ >SET
SET RTC SET ANALOG SET >PASSWORD	RTC SET ANALOG SET PASSWORD >LANGUAGE
ANALOG SET PASSWORD LANGUAGE >INITIAL	ANALOG SET PASSWORD LANGUAGE >INITIAL

Menu	Description
> LADDER	Ladder edit
FUN.BLOCK	Ladder function block (timer/counter/RTC ...) edit
FBD	FBD display
PARAMETER	FBD block or LADDER function block parameter display
RUN	RUN or STOP
DATA REGISTER	DR display
CLEAR PROG.	Clear the user program and the password
WRITE	Save user program to PM05 (3rd)
READ	Read user Program from PM05
SET	System setting
RTC SET	RTC setting
ANALOG SET	Analog setting
PASSWORD	Password setting
LANGUAGE	Select the language
INITIAL	initially set Edit method

(2) The Main Menu as SG2 under 'RUN' Mode.

>LADDER FUN.BLOCK PARAMETER STOP	>FBD PARAMETER STOP DATA REGISTER
DATA REGISTER WRITE RTC SET >PASSWORD	WRITE RTC SET PASSWORD >LANGUAGE
WRITE RTC SET PASSWORD >LANGUAGE	

>	LADDER	FBD
	FUN.BLOCK	
	PARAMETER	
	STOP	
	DATA REGISTER	
	WRITE	
	RTC SET	
	PASSWORD	
	LANGUAGE	

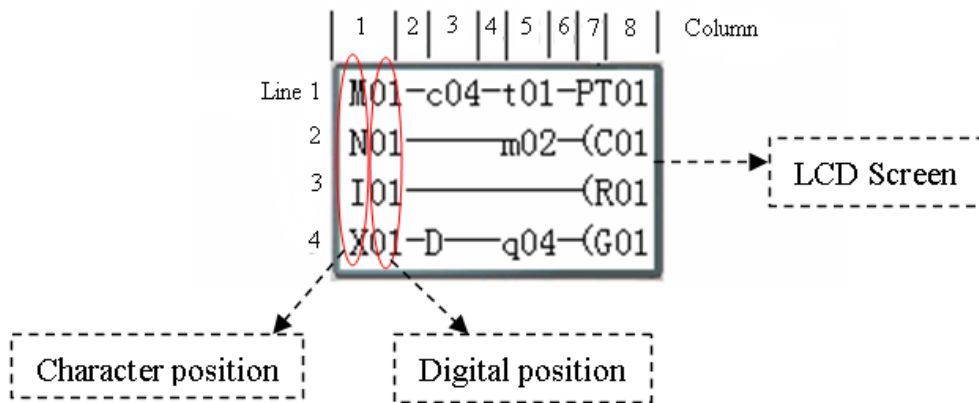
Press the Button

↑ ↓	Move the Cursor to select Main Menu
OK	Confirm the selected Function
ESC	Skip to Initial Screen

※SG2 can be modified, edited, cleared and read user program only when it is under STOP Mode.

※As the program is modified, SG2 will automatically backup it to FLASH.

⊙ Main Menu LADDER

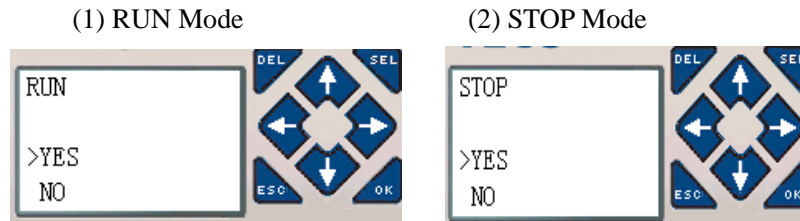


Press the Button

Button	Description
SEL	1. Ixx ⇒ ixx ⇒ — ⇒ space ⇒ Ixx (only for digital and character position of 1, 3, 5 column) 2. Qxx ⇒ space ⇒ Qxx (only for digital and character position of 8 column) 3. $\begin{matrix} \text{T} \\ \perp \end{matrix} \Rightarrow \text{Space} \Rightarrow \begin{matrix} \text{T} \\ \perp \end{matrix}$ (all available but the 2,4,6 column of the first line)
SEL, then ↑/↓	1. I ⇔ X ⇔ Z ⇔ Q ⇔ Y ⇔ M ⇔ N ⇔ D ⇔ T ⇔ C ⇔ R ⇔ G ⇔ I (the cursor located at 1, 3, 5 column) 2. Q ⇔ Y ⇔ M ⇔ N ⇔ T ⇔ C ⇔ R ⇔ G ⇔ H ⇔ L ⇔ P ⇔ S ⇔ AS ⇔ MD ⇔ PI ⇔ MX ⇔ AR ⇔ DR ⇔ MU ⇔ Q (When the cursor located at 8 column) 3. (⇔ ^ ⇔ v ⇔ P ⇔ ((When the cursor located at 7 column, and the 8 column is set as Q, Y, M, N) 4. (⇔ P ⇔ ((When the cursor located at 7 column, and the 8 column is set as T)
SEL, then ←/→	Confirm the input data and move the cursor.
↑ ↓ ← →	Move the cursor.
DEL	Delete an instruction.
ESC	1. Cancel the Instruction or action under Edition. 2. Back to Main Menu after query the program (save program to flash).
OK	1. Confirm the data and automatically save, the cursor moves to next input position. 2. When the cursor is on Column 8, Press the button to automatically enter the function blocks and set the parameters (such as T/C...).
SEL+DEL	Delete a Line of Instruction.
SEL+ESC	Display the number of the Lines and operation state of SG2 (RUN/STOP).
SEL+↑/↓	Skip up/ down every 4-line program.
SEL+OK	Insert a space line

Operation Sample: more detailed to see [Appendix A: Keypad programming in Ladder mode.](#)

⊙ RUN or STOP



↑ ↓	Move the cursor
OK	Execute the instruction, then back to main menu
ESC	Back to main menu

⊙ DATA REGISTER

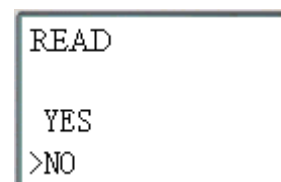
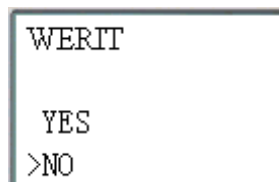
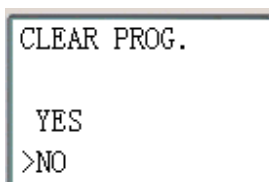
Displaying preset value when the smart is STOP status and displaying current value when the smart is RUN status.



↑ ↓ ← →	Move the cursor
OK	Ensure the edit
SEL	Enter edit (edit DR display number or DR preset value)
'SEL' then 'SEL'	Edit DR preset value type
'SEL' then '↑ ↓'	1. Edit DR display number (only first line) 2. Edit DR preset value
ESC	1. Cancel edit. 2. Back to main menu (save DR preset data)
SEL+↑/↓	Tip-up/down page

⊙ Other Menu Items

- (1) CLEAR PROGRAM (Clear RAM, Program in flash and Password at the same time)
- (2) WRITE: save the program (RAM) to PM05 (3rd) program spare cartridge
- (3) READ: read the program from the PM05 or PM05 (3rd) program spare cartridge to SG2 (RAM)



(1) ~ (3) Now Press:

↑ ↓	Move the cursor
OK	Execute the instruction
ESC	Back to main menu

(4) SET (system setting)

	content	default		
ID SET 01	ID SET	01	→	ID setting (00~99)
REMOTE I/O N	REMOTE I/O	N	→	Remote I/O Mode (N: none M: Master S: Slave)
BACKLIGHT x	BACK LIGHT	×	→	Back light mode (√: always light ×: light for 10s after pressed.)
M KEEP √	M KEEP	√	→	M: non-Volatile (√:Volatile ×: Non- Volatile)
I/O NUMBER: 0	I/O NUMBER	0	→	Setting expansion I/O module number (0~3)
I/O ALARM √	I/O ALARM	√	→	Siren setting when is not available to Expansion I/O Points (√:Yes ×:No)
C KEEP x	C KEEP	×	→	in stop/run switching, Counter Present Value Keeping (√:Yes ×:No)
Z SET x	Z SET	×	→	Enable or disable keypad input Z01-Z04 (√:enable ×:disable)
RS485 SET 03	RS485 SET	03	→	Setting the form and baud rate of RS-485
DATA REG. U	DATA REG.	U	→	Setting the Data Register type (U: 16bit-unsiged S: 16bit-sig)

- ※ M KEEP function is available for keeping M status and current value of T0E/T0F when power is re-supplied after loss.

Now Press:

↑ ↓ ← →	Move the cursor
SEL	Begin to edit.
'SEL' then '←/→'	Move the cursor for 'ID SET' item and 'RS485 SET' item
'SEL' then '↑/↓'	1. ID SET = 00~99 ; I/O NUMBER = 0~3 2. REMOTE I/O = N↔M↔S↔N 3. BACK LIGHT ; C KEEP ; Z SET = ×↔√ 4. M KEEP; I/O ALARM = √↔× 5. RS485 SET = (0~3)(0~5) 6. DATA REG. = U↔S
OK	Confirm the Edition Data
ESC	1. Cancel the setting when pressed 'SEL' 2. Back to Main Menu(save edit data)

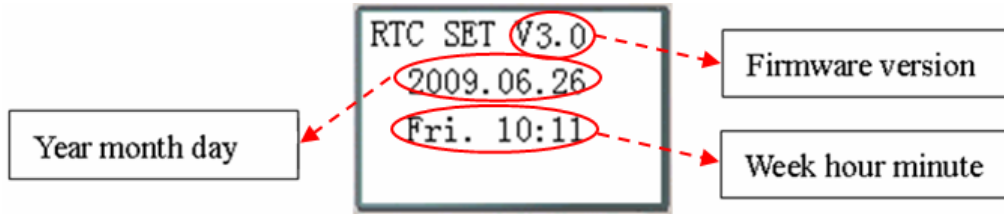
- ※ When IO LINK is selected, ID setting range is 0~7, which should be continuous.
ID=0 default as Master, ID=1~7 default as Slave.
- ※ When REMOTE I/O is selected, the distribution of the remote I/O is as follows:

	Master		Slave
Remote Input	X01~X0C	←	I01~I0C
Remote Output	Y01~Y08	→	Q01~Q08

- ※ The high bit of RS485 SET detects the form of RS-485, and the low bit detects the baud rate of RS-485.

More detailed to see [chapter 7: 20 Points RS485 type Models Instruction](#).

(5) RTC SET



Now Press

↑↓	Enter RTC setting or Daylight saving setting
SEL	Begin to input parameters
'SEL' then '←/→'	Move the Cursor
'SEL' then '↑/↓'	1. year=00~99, month=01~12, day=01~31 2. hour = 00~23 , minute = 00~59
'SEL' then 'SEL'	Daylight saving setting: NO – EUROPE – USA – OTHER – NO ...
OK	Save the Input Data
ESC	1. Cancel the Input Data when press 'SEL'. 2. Back to Main Menu.

※ According to set the date automatically calculate weeks

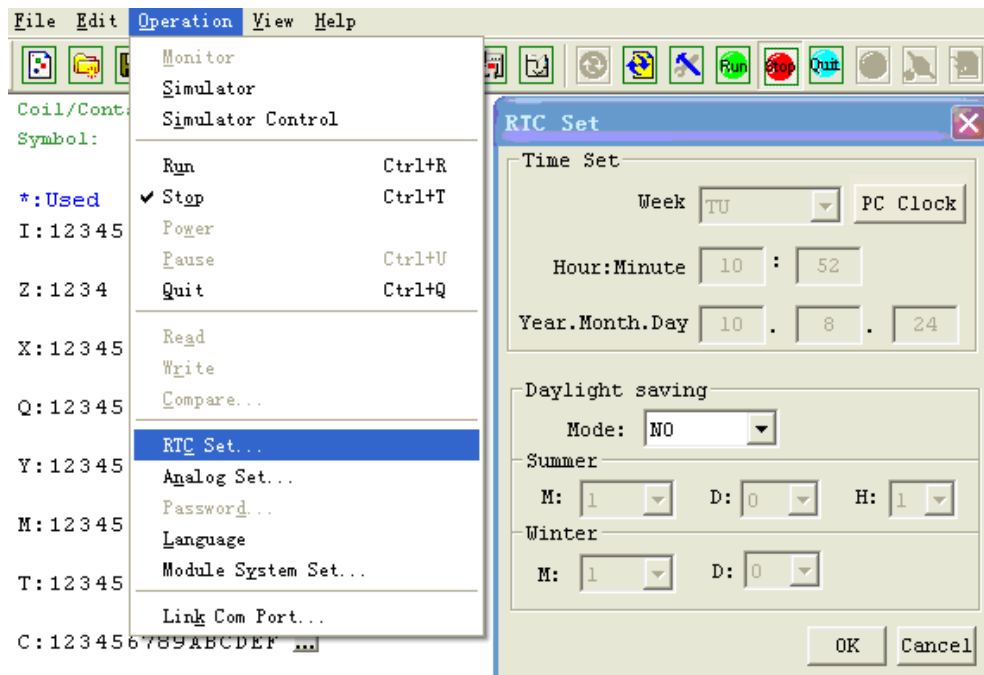
※ RTC precision:

Temperature	Error
+25°C	± 3s/day
-20°C/+50°C	± 6s/day

RTC Daylight saving setting

There are 2 fixed Daylight saving options, EUROPE and USA, 1 editable Daylight saving option in SG2. Daylight saving options can be set through the two methods as shown below.

1) PC Client

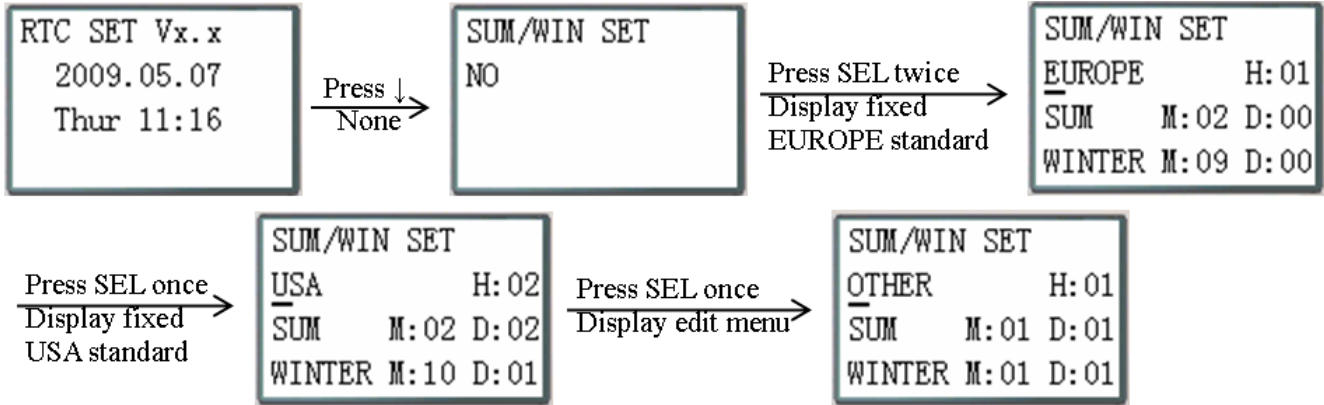


Edit rule: ①M: Month range 1~12;

②D: Week range 0~5, means the 0 to 5th Sunday of the setting month and 0 said the last Sunday of the setting month;

③H: Hour range 1~22; summer hour and winter hour are the same.

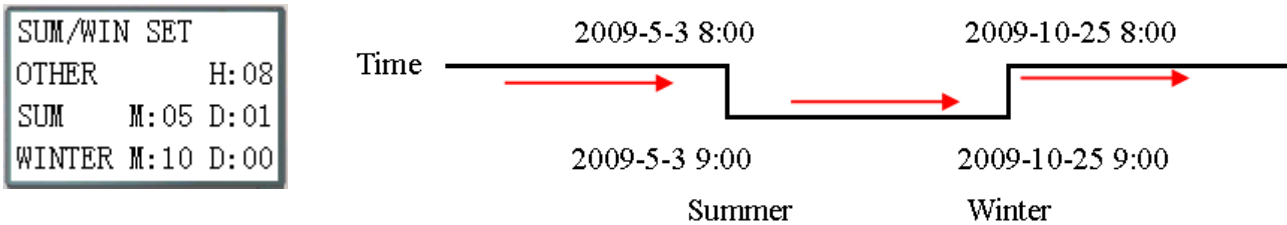
2) Keypad



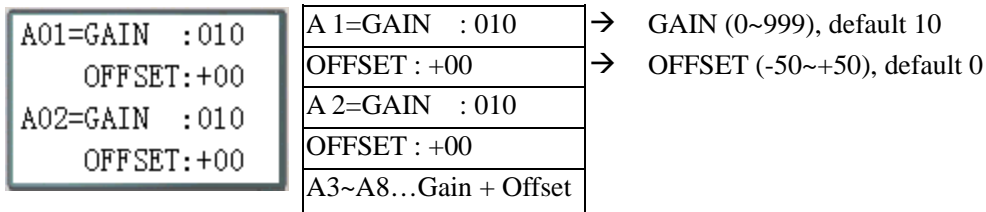
Then pressing “→” selects edit location, pressing “↑”, “↓” edit content.

Example:

Year 2009, SUM M: 05 D: 01 → 2009-5-3; M: 10 D: 00 → 2009-10-25.



(6) ANALOG SET



Now Press

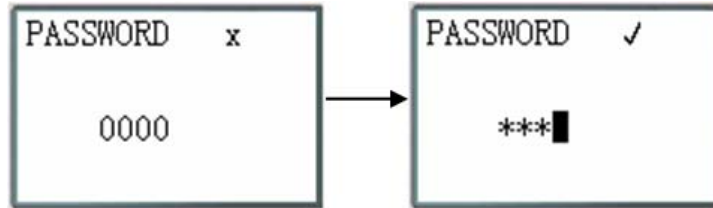
↑ ↓	1. Move downward the Cursor 2. Switch the setting screen from A01/A02→ A03/A04→ A50/A06 → A07/A08
SEL	Begin to input parameters
‘SEL’ then ‘←/ →’	Move the Cursor
‘SEL’ then ‘↑/ ↓’	1. GAIN =000~999 2. OFFSET=-50~+50
OK	Save the Input Data
ESC	1. Cancel the Input Data when press ‘SEL’. 2. Back to Main Menu (save edit data).

※ $V01 = A01 * A01_GAIN + A01_OFFSET$

.....

$V08 = A08 * A08_GAIN + A08_OFFSET$

(7) PASSWORD (setting password)



Now Press

SEL	1. Begin to input numeral 2. When the password is ON, it will not display 0000, but ****.
'SEL' then '←/→'	Move the cursor
'SEL' then '↑/↓'	Data changed 0~F
OK	Save the input data, not 0000 or FFFF, as the PASSWORD is ON.
ESC	1. Cancel the Input Data when press 'SEL'. 2. Back to Main Menu.

※ A Class: Password number is set to 0001~9FFF.

B Class: Password number is set to A000~FFFE.

Password number = 0000 or FFFF is disabled Password function, Default setting: 0000.

If there are H coils(HMI coils) enable, A/B Class password have same access right; If there are no H coils enable, A/B password have different access right. A/B Class password Description:

Menu	No H coil ON		H coil ON	
	A Class	B Class	A Class	B Class
LADDER	√	√	√	√
FUN.BLOCK	√	√	√	√
FBD	√	√	√	√
PARAMETER		√		√
RUN/STOP		√		√
DATA REGISTER		√		√
CLEAR PROG.	√	√	√	√
WRITE	√	√	√	√
READ	√	√	√	√
SET		√		√
RTC SET		※		※
ANALOG SET		√		√
LANGUAGE		√		√
INITIAL	√	√	√	√

√: cannot accessed under password protecting

※:SEL+OK to enter RTC SET

(8) LANGUAGE (Selection menu language)

ENGLISH	→	English
FRANÇAIS	→	French
ESPAÑOL	→	Spanish
ITALIANO	→	Italian
DEUTSCH	→	German
PORTUGUES	→	Portuguese
> 简体中文 ✓	→	Simplified Chinese
POLSKI	→	Polish
РУССКИЙ *	→	Russian
TÜRKÇE	→	Turkish

Now Press

↑↓	Vertically move the Cursor
OK	Select the language the cursor located
ESC	Back to Main Menu

- ※ Language display “✓” means current selection for menu language;
- ※ Language display “*” means current selection for HMI multi-language characters, only Russian or Turkish;
- ※ Press key “↑” or “↓” to move cursor and press OK key to select language, if select Russian or Turkish, HMI multi-language characters also changed; if select other language, HMI multi-language characters don't changed.

(9) INITIAL (select Ladder Logic or Function Block Diagram (FBD) programming environment)

INITIAL
> LADDER ✓
FBD

Now Press:

↑↓	Vertically move the Cursor
OK	Select the mode the cursor located
ESC	Back to Main Menu



The origin program will be cleared when changing the programming environment.

SG2 system error

After power on, SG2 keep detecting the running state. Once system error occurred, the error code will display on LCD. At the same time, SG2 will stop or just give error-warning base on the error type. Error types are show in the table below:

Error code	Explain	Error action	Why and How
ROM ERROR	System ROM/Flash memory check error	SG2 STOP	If the version of the firmware is older than 3.4, update to 3.4 or newer; then if the error occurs again, contact with suppliers
Vpd ERROR	Power down circuits check error	SG2 STOP	Voltage is too low; apply the appropriate voltage
PROG ERROR	Ladder / FBD code invalid in EEPROM.	SG2 STOP	Download the user program and try again.
LOGIC ERROR	FBD code logic check error	SG2 STOP	There is same logic error in the user program, modify it and try again.
EXT. ERROR	Expansion I/O error (When disable I/O alarm in "SET" of the main function, The alarm cannot appear.)	SG2 STOP	Extend module set number is not same with the actual number, check the system set.
COMM ERROR	RS485 type communication error	Warning only	V type module communication error, check the COMM protocol.
RTC ERROR	RTC check or work error	Warning only	Contact with suppliers.
EMPTY PACK	Memory pack is empty, when reading from the memory pack.	Warning only	No memory pack or there is no user program in the memory pack, check the memory pack.
MEM.ERROR	Memory packs check error, when writing to the memory pack.	Warning only	Memory pack is broken or no memory pack, check or change it.
T.ERROR	The type is not matching when reading program from the memory pack.	Warning only	The type of the user program in the memory pack does not match with current one.

Chapter 4: Parameter passing

SG2 inner data type.....	61
Passing parameter out of range	63

In SG2, almost all the function block can use other function block's current value as its preset value. This process we called data transmission. This chapter will describe some regulation about data transmission.

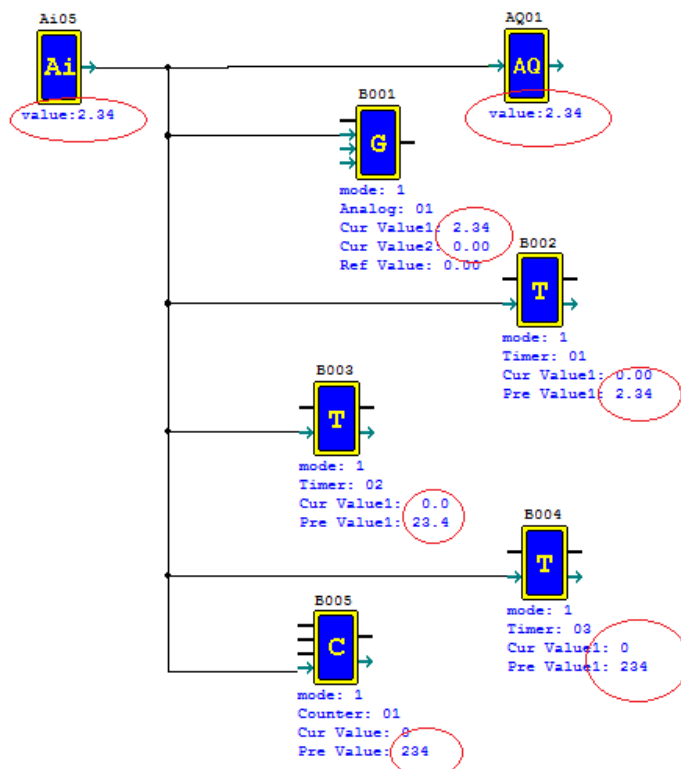
SG2 inner data type

All the data stored in SG2 inner system are integer. Even through some parameter likes "A01 = 9.99V" display in LED, in fact "9.99" stored in SG2 inner system is "999". Only in display stage, the decimal point of "9.99" added according to its physical significance. **When analog variable and other function block current value passed to other function block or analog output as preset value, essentially just integers passed. When need to display those passed integer preset value in LED, decimal point will be added according to physical significance.**

Example1:

A05 current value passing to other function block as preset value:

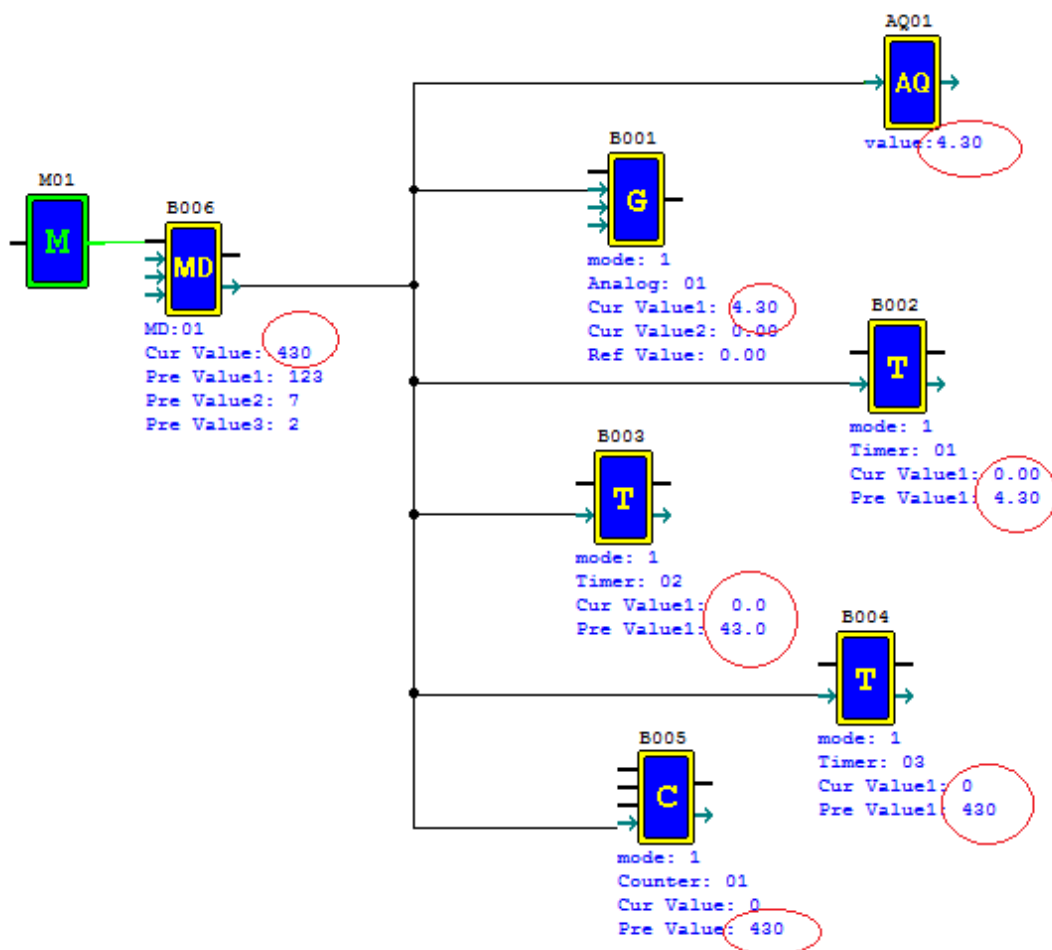
When A05=2.34V, A05's inner value 234 is passed to other function block as preset value. Passing to AQ01 automatically as 2.34V, Passing to B001 (G01) automatically as 2.34V, Passing to B002(T01 time base is 0.01s) automatically as 2.34s, Passing to B003(T02 time base is 0.1s) automatically as 23.4s, Passing to B004(T03 time base is 1s) automatically as 234s, Passing to B005(C01) automatically as 234:



Example2:

MD01 current value passing to other function block as preset value:

When B006(MD01)=430, MD01's inner value 430 is passed to other function block as preset value. Passing to AQ01 automatically as 4.30V, Passing to B001(G01) automatically as 4.30, Passing to B002(T01 time base is 0.01s) automatically as 4.30s, Passing to B003(T02 time base is 0.1s) automatically as 43.0s, Passing to B004(T03 time base is 1s) automatically as 430s, Passing to B005(C01) automatically as 430:



Passing parameter out of range

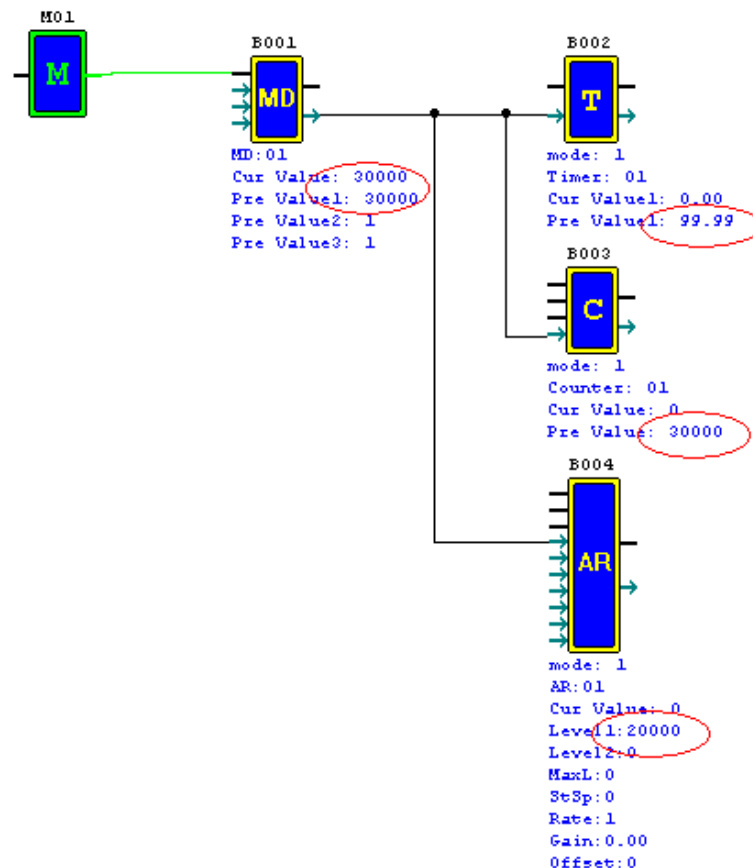
MD current value data range is -32768~32767, T preset value data range is 0~9999. If MD current value is passed to T as preset value, obviously sometimes MD current may greater T preset value upper limit, or less than T preset value down limit. This moment SG2 will use upper limit or down limit value as its preset value. Similar situation of passing parameter, SG2 will use the same processing method.

Example1:

When B006(MD01)=30000, MD01's value 30000 is passed to other function block as preset value. Passing to B002(T01 time base is 0.01s) as preset value. 30000 is greater than upper limit of T01 9999, so automatically as 99.99;

Passing to B003(C01) as preset value. The number 30000 is not out of data range of C01, so C01 preset value automatically as 30000;

Passing to B004(AR01) as preset value. The number 30000 is greater than upper limit of AR01 20000, so automatically as 20000;

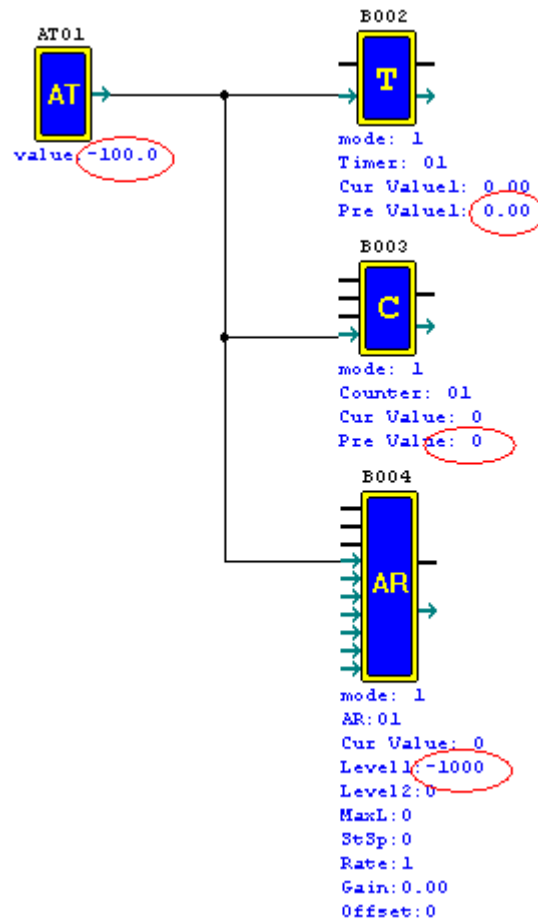


Example2:

When AT01=-100.0, AT01's inner value -1000 is passed to other function block as preset value. Passing to B002(T01 time base is 0.01s) as preset value. -1000 is less than lower limit of T01 0, so automatically as 00.00;

Passing to B003(C01) as preset value. -1000 is less than lower limit of C01, so C01 preset value automatically as 0;

Passing to B004(AR01) as preset value. -1000 is not out of data range of AR01 -10000, so automatically as -1000;



Chapter 5: Relay Ladder Logic Programming

Basic Elements.....	66
Specialty Elements.....	69
Output Instructions.....	70
Analog Elements.....	71
Timer Instruction.....	72
Counter Instructions.....	80
Real Time Clock (RTC) Instructions	90
Comparator Instructions.....	98
HMI Display Instructions.....	100
PWM Output Instruction (DC Transistor Output Models Only).....	103
IO Link/Remote I/O Instruction (SG2-20Vxxx model only).....	106
MU (Modbus) (SG2-20Vxxx model only)	109
SHIFT (shift output).....	116
AQ (Analog Output)	117
AS (Add-Subtract)	119
MD (MUL-DIV)	120
PID (Proportion- Integral- Differential).....	121
MX (Multiplexer).....	125
AR (Analog-Ramp).....	126
DR (Data register).....	130

Basic Elements

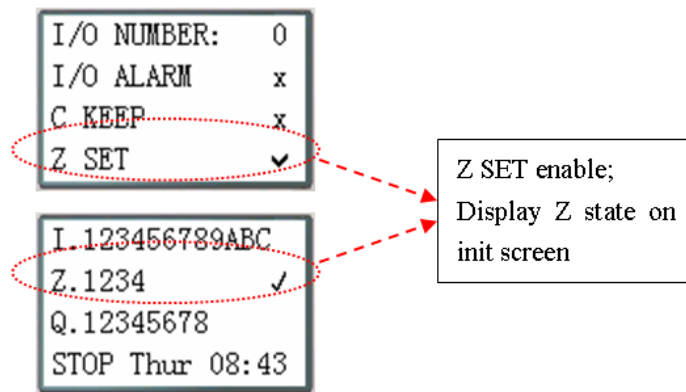
	General output	SET output	RESET output	PULSE output	N.O. contact	N.C. contact	Number
Symbol	[▲	▼	P	⋈	⋈	(N.O./N.C.)
Digital Input					I	i	12(I01-I0C/i01-i0C)
Keypad Input					Z	z	4(Z01-Z04/z01-z04)
Digital Output	Q	Q	Q	Q	Q	q	8(Q01-Q08/q01-q08)
Auxiliary Coil	M	M	M	M	M	m	63(M01-M3F/m01-m3F)
Auxiliary Coil	N	N	N	N	N	n	63 (N01-N3F/n01-n3F)
Counter	C				C	c	31(C01-C1F/c01-c1F)
Timer	T			T	T	t	31(T01-T1F/t01-t1F)

Digital Inputs (I)

The SG2 digital input points are designated as I contacts. The number of digital input points is 6, 8 or 12 depending on each SG2 model.

Keypad Inputs (Z)

The SG2 keypad input points are designated as Z contacts. The number of keypad input points is 4 which only exist on SG2 H type model and V type model.



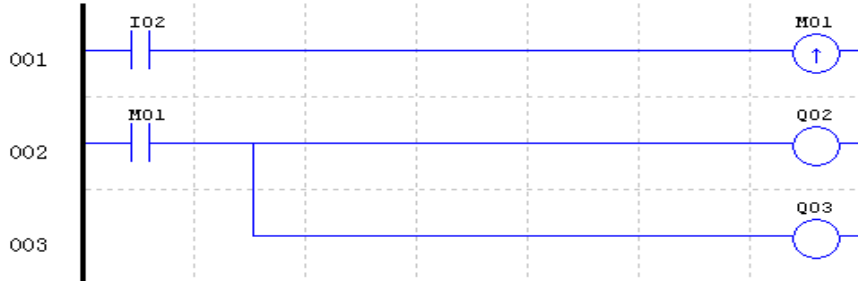
Digital Outputs (Q)

The SG2 digital output points are designated as Q coils/contacts. The number of digital output points is 4 or 8 depending on each SG2 model. In this example, output point Q01 will be turned on when input point I01 is activated.

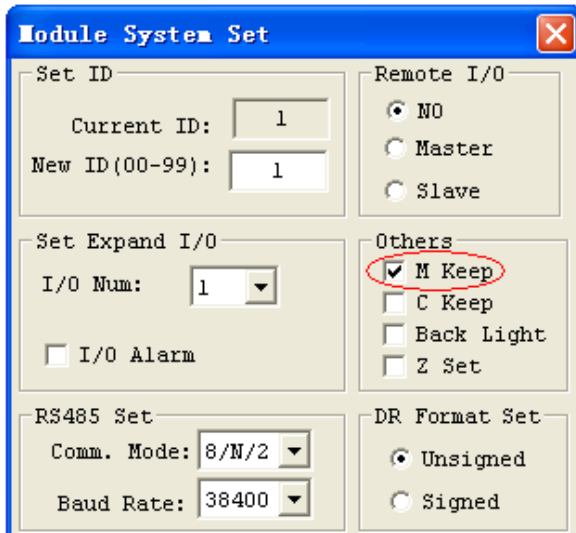


Auxiliary Coils (M)

Auxiliary Coils are the virtual coils inside the SG2 unit; they are not the real physically inputs or outputs that can be wired to any external devices, switches, sensors, etc. The number of Auxiliary Relays M is 63. Since auxiliary relays are internal elements within the CPU, they can be programmed as digital inputs (contacts) or digital outputs (coils). In the first rung of this example, auxiliary relay M01 is being used as an output coil and will energize when input I02 turns on. In the second rung auxiliary relay M01 is being used as an input and when energized, will turn on outputs Q02 and Q03.



※ The state of auxiliary relays “M01~M3F” will be kept when the smart powers down if “M Keep” is active. “M Keep” can be set by the two ways below.

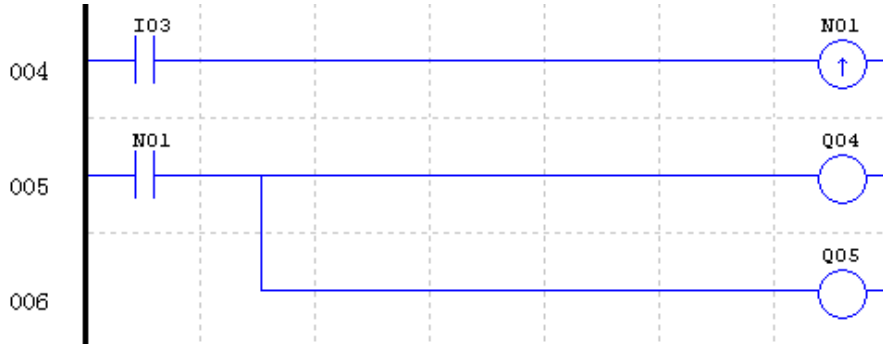


Special Auxiliary Relays: M31~M3F

Code	Signification	Description
M31	User program upstart flag	Outputting ON during the first scanning period; and used as normal auxiliary relay at other scan period.
M32	1second blinking output	0.5s ON, 0.5s OFF
M33	Summer/Winter output	Summer time turn ON, winter time turn OFF, used as normal auxiliary relay.
M34	AT01 flag	Output ON when the first channel of SG2-4PT is error
M35	AT02 flag	Output ON when the second channel of SG2-4PT is error
M36	AT03 flag	Output ON when the third channel of SG2-4PT is error
M37	AT04 flag	Output ON when the fourth channel of SG2-4PT is error
M38	RS485 received flag	Output ON when the RS485 port has received data.
M39	RS232 received flag	Output ON when the RS232 port has received data.
M3A~M3C	Reserved	
M3D	Received flag	MODBUS function using (MU instruction)
M3E	Error flag	
M3F	Time out flag	

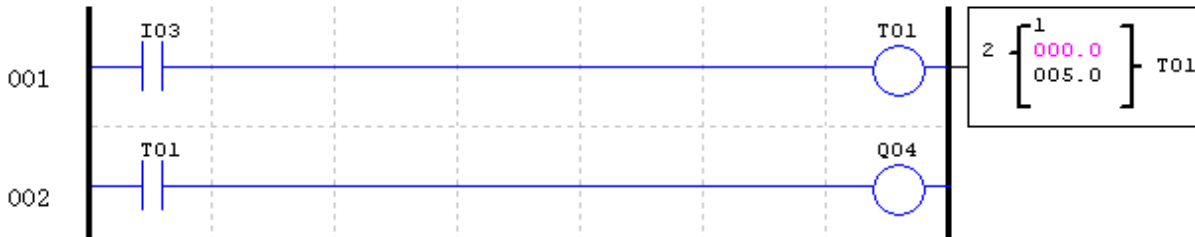
Auxiliary Coils (N)

The function of auxiliary coils, N, is the same as auxiliary coils M, but it can't be kept when the smart powers down. In the first rung of this example, auxiliary relay N01 is being used as an output coil and will be energized when input I03 turns on. In the second rung auxiliary relay N01 is being used as an input, and outputs Q04 and Q05 will be turned ON once N01 is conducted.



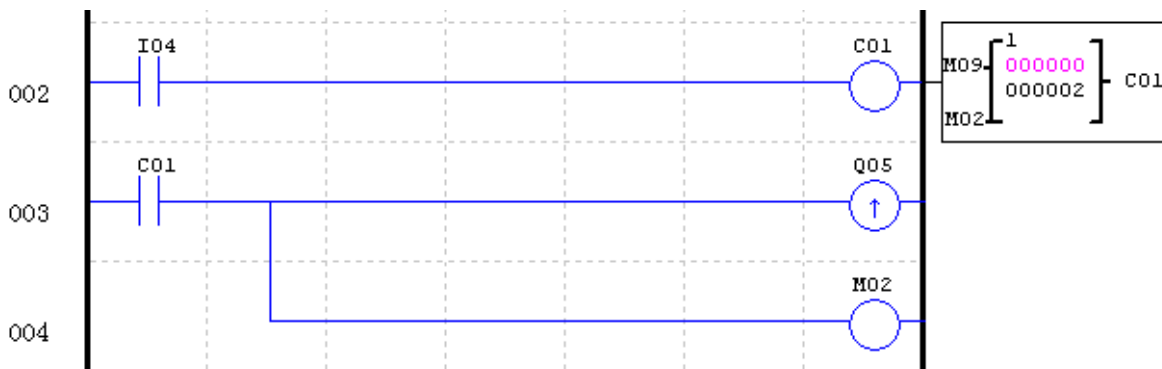
Timer Elements (T)

Timer coil provides the relationship between its current value and the preset value of a selected timer. The timer contacts will turn on when the current value is equal or greater than the preset value of a selected timer. In this example, when input I03 turns on, timer T01 will start. When the timer reaches the preset of 5 seconds, timer status contact T01 turns on. When T01 turns on, output Q04 will turn on. Turning off I03 will reset the Timer.



Counters Elements (C)

Counter coil provides the relationship between its current value and the preset value of a selected counter. The counter contact will turn on when the current value is equal or greater than the preset value of a selected counter. In this example, each time the input contact I04 changes its state from off to on, the counter (C01) increments by one. When the counter value reaches the preset value, 2, the counter status contact C01 turns on. When C01 turns on, output Q05 will turn on. When M02 turns on counter C01 will reset. If M09 is turned on, the counter will change from a count-up to a count-down counter.

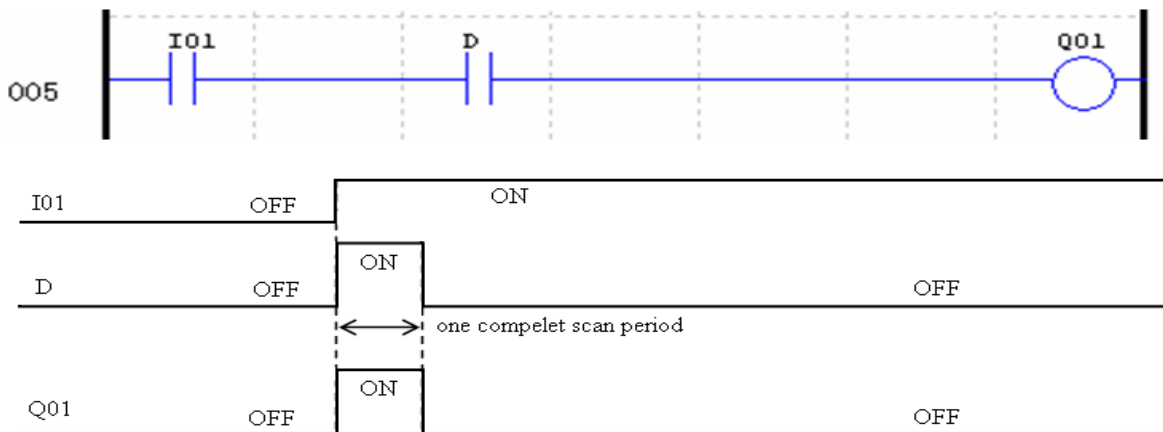


Specialty Elements

	General output	SET output	RESET output	PULSE output	N.O. contact	N.C. contact	Number
Symbol	[▲	▼	P	⋈	⋈	(N.O./N.C.)
					Lo	Hi	Used in function block
Expansion input coil					X	x	12(X01-X0C/x01-x0C)
Expansion output coil	Y	Y	Y	Y	Y	y	12(Y01-Y0C/y01-y0C)
Edge trigger (pulse output)					D	d	
RTC	R				R	r	31(R01-R1F/r01-r1F)
Analog comparator	G				G	g	31(G01-G1F/g01-g1F)
HMI	H						31(H01-H1F)
PWM	P						2(P01-P02)
IO LINK	L						8(L01-L08)
SHIFT	S						1(S01)

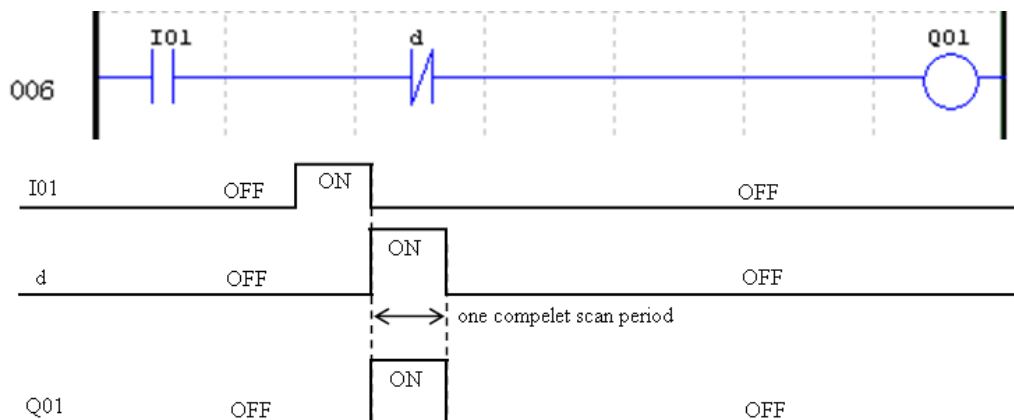
Positive Edge Trigger - Pulse Output (D)

A positive edge trigger (D) holds its status ON for one CPU scan time when the preceding series contact changes its state from OFF to ON. The transition from OFF to ON is called the “Positive Edge Trigger”.



Negative Edge Trigger - Pulse Output (d)

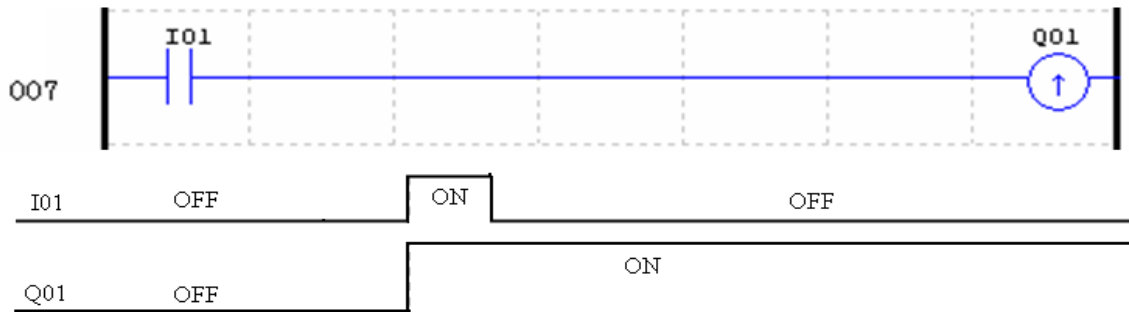
A negative edge trigger (d) holds its status ON for one CPU scan time when the preceding series contact changes its state from ON to OFF. The transition from ON to OFF is called the “Negative Edge Trigger”.



Output Instructions

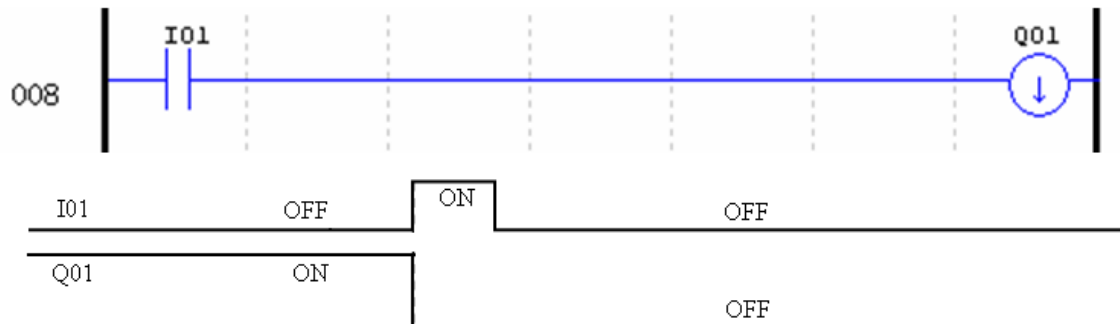
Set Output Instruction (Latch) (▲)

A set output instruction, or Latch, turns ON an output coil (Q) or an auxiliary contact (M) when the preceding input contact turns from OFF to ON. Once the output is ON or set, it will remain ON until it is reset using the “Reset output” instruction. It is not necessary to retain the input contact at ON state once the output is at ON state.



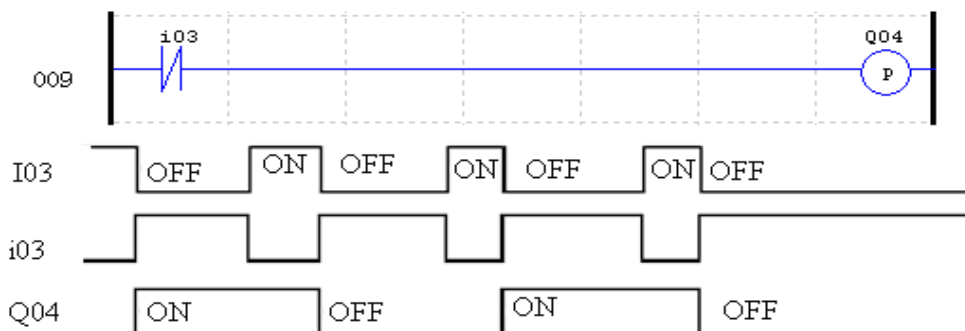
Reset Output Instruction (Unlatch) (▼)

A reset output instruction, or Unlatch, turns OFF a previous set output coil (Q) or an auxiliary contact (M) when the preceding input contact transitions from OFF to ON. Once the output is OFF or reset, it will remain OFF until it be “Set” again.



Pulse Output Instruction (Flip-Flop) (P)

Flip-Flop changes the ON/OFF state of the coil (Q) or an auxiliary contact (M) when the preceding input contact turns from OFF to ON. Once the output is ON, it will remain ON until the next time the preceding input contact turns from OFF to ON. In the example below, when Pushbutton I03 is pressed and released coil, Q04, it will turn on and remain on. When Pushbutton I03 is pressed again, coil Q04 will turn off and remain off.



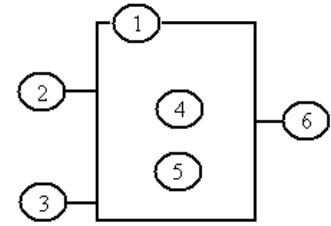
Analog Elements

	Analog input	Analog output	number
Analog input	A		8 (A01~A08)
Analog input parameter	V		8 (V01~V08)
Temperature input	AT		4 (AT01~AT04)
Analog output		AQ	4 (AQ01~AQ04)
Add-Subtract control	AS	AS	31 (AS01~AS1F)
Multiply-Divide control	MD	MD	31 (MD01~MD1F)
PID control	PID	PID	15 (PI01~PI0F)
Data Multiplexer control	MX	MX	15 (MX01~MX0F)
Analog Ramp control	AR	AR	15 (AR01~AR0F)
Data Register	DR	DR	240 (DR01~DRF0)
MODBUS			15 (MU01~MU0F)

Analog value (A01~A08, V01~V08, AT01~AT04, AQ01~AQ04) and current value of functions (T01~T1F, C01~C1F, AS01~AS1F, MD01~MD1F, PI01~PI0F, MX01~MX0F, AR01~AR0F, and DR01~DRF0) can be used as other function's preset value. And the parameter preset value is its limit value when the current value of those functions is bigger or less than parameter's limit value.

Timer Instruction

The SG2 includes 31 Timer coils that can be used throughout a program. T0E and T0F keep their current value after power lost if “M Keep” is active, but the other Timers’ current value is non-retentive. Each Timer has a choice of 8 operation modes, 1 for a pulse Timer and 7 for general purpose Timer. Additionally, each Timer has 6 parameters for proper configuration. The table below describes each configuration parameter and lists each compatible element for configuring Timers.



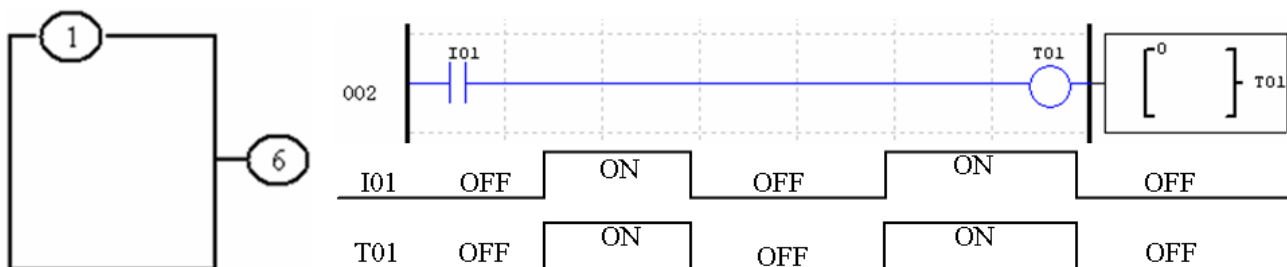
Symbol	Description
①	Timer Mode (0-7)
②	Timer Unit 1: 0.01s, range: 0.00 - 99.99 sec 2: 0.1s, range: 0.0 - 999.9 sec 3: 1s, range: 0 - 9999 sec 4: 1min, range: 0 - 9999 min
③	ON: the Timer reset to 0 OFF: the Timer continues timing
④	Timer current value
⑤	Timer preset value
⑥	Timer code(T01~T1F total: 31 Timers)

Compatible Instructions	Range
Input	I01-I0C/i01-i0C
Keypad input	Z01-Z04/z01-z04
Output	Q01-Q08/q01-q08
Auxiliary coil	M01-M3F/m01-m3F
Auxiliary coil	N01-N3F/n01-n3F
Expansion input	X01-X0C/x01-x0C
Expansion output	Y01-Y0C/y01-y0C
RTC	R01-R1F/r01-r1F
Counter	C01-C1F/c01-c1F
Timer	T01-T1F/t01-t1F
Analog comparator	G01-G1F/g01-g1F
Normal open contact	Lo

- ✘ The preset value of Timer could be a constant or other function current value.
- ✘ The current value of T0E and T0F will be kept when SG2 on a loss of power if the “M-Keep” is active.

Timer Mode 0 (Internal Coil)

Mode 0 Timer (Internal Coil) used as internal auxiliary coils. No timer preset value. The status of T coil becomes with enable coil as shown below.



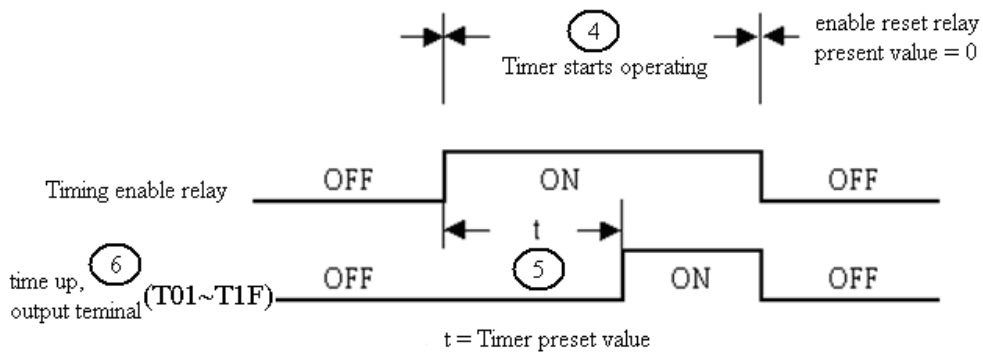
- ✘ I01 is enable coil.

Timer Mode 1 (ON-Delay)

Mode 1 Timer (ON-Delay) will time up to a fixed value and stop timing when the current time is equal to the preset value. Additionally, the Timer current value will reset to zero when Timer is disabled. In the example below, the timer will stop timing when it reaches the preset value of 5 seconds. Timer **contact** T01 will be ON when the current value is 5.

The diagram shows a timer coil symbol with terminals 1, 2, 4, 5, and 6. Terminal 1 is the top terminal, 2 is the left, 4 and 5 are the middle, and 6 is the right. Below it is a detailed view of the coil with terminal 3 on the left and terminal T01 on the right. The coil contains a pink '1' and a purple '0000' above a black '0005'. The 'Edit Contact/Coil' window shows the following settings:

- Select Coil No.: T 01 (01~1F) Symbol
- Output Type: -I (Reset), Set, P
- Function: Mode 1 (0~6: -, 7: P) On-delay timer mode 1
- Enable/Output timing diagram: Shows a pulse on the Enable line that starts the Output pulse. The duration of the Output pulse is labeled 't'.
- Time Base: 1SEC
- Current Value: (empty) Sec
- Preset Value: 0005 Sec
- Preset Type: N
- Direction Set: Contact (empty)
- Reset Input: Contact (empty)

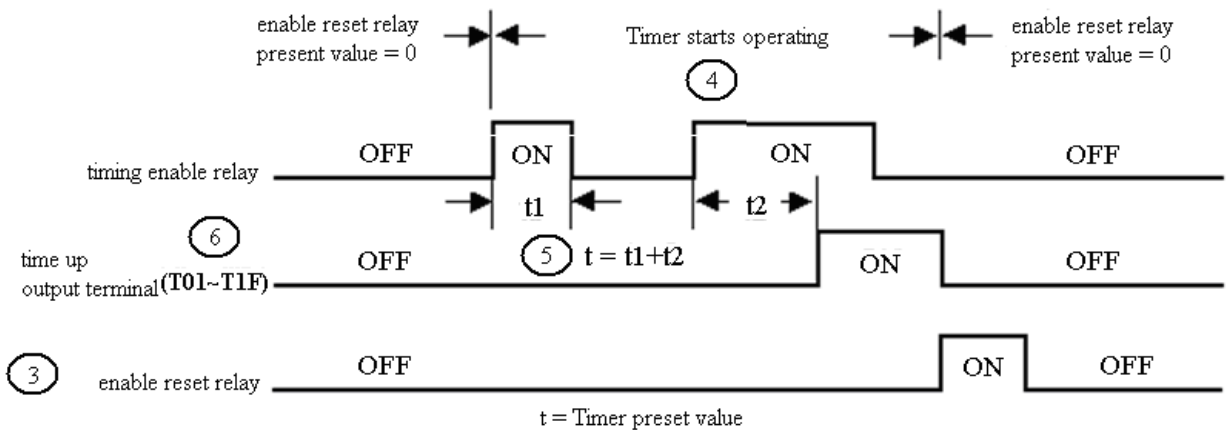


※ T0E and T0F keep their current value after a loss of power to the smart relay if “M Keep” is active, but the others’ reset to 0.

Timer Mode 2 (ON-Delay with Reset)

Mode 2 Timer is an ON-Delay with reset that will time up to a fixed preset value and stop timing when the current time is equal to the preset value. Additionally, the Timer current value will be kept when Timer is disabled. In the example below, the Timer will stop timing when it reaches its preset value of 5 seconds. Timer status bit T01 will be ON when the current value is 5. The timer reset input is input I01. The timer current value will reset to 0, and Timer status bit T01 will turn off when I01 is ON.

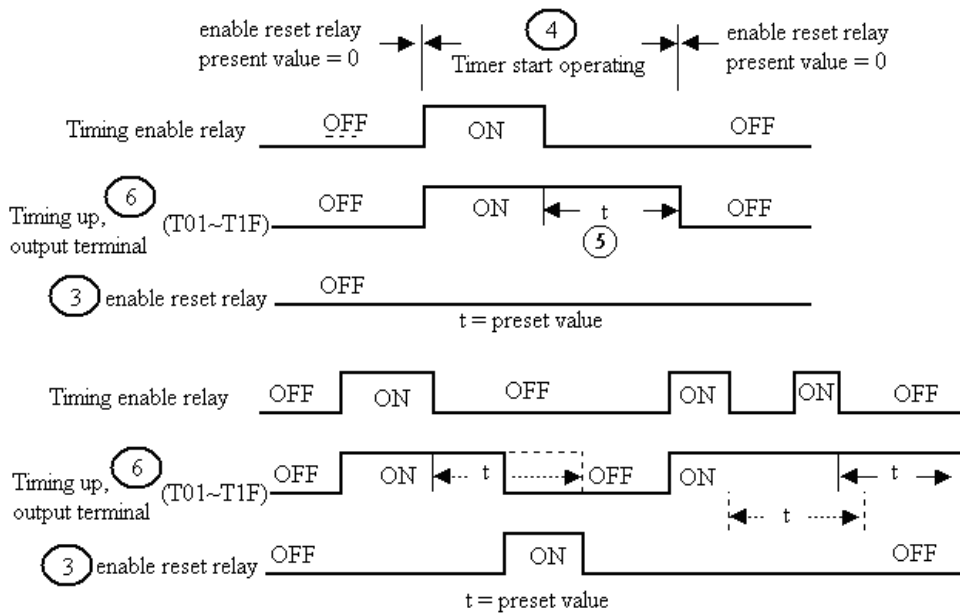
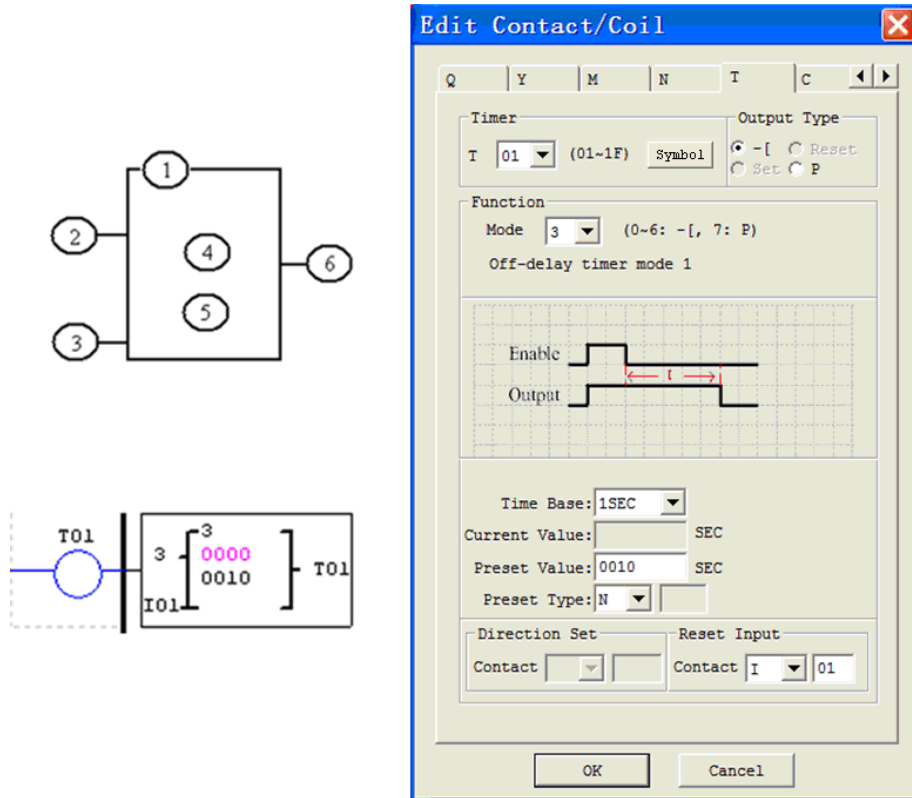
The diagram shows a timer coil symbol with terminals 1, 2, 3, 4, 5, and 6. Terminal 1 is the coil, 2 and 3 are power supply terminals, 4 and 5 are the timer coil terminals, and 6 is the output terminal. Below it is a ladder logic diagram showing a coil labeled T01 with a reset input I01. The coil has two preset values: 0000 and 0005. To the right is the 'Edit Contact/Coil' window for the timer. The window shows the timer number '01', mode '2' (On-delay timer mode 2), time base '1SEC', current value '0000', and preset value '0005'. The reset input is set to 'I 01'. A timing diagram within the window shows the enable, reset, and output signals over time.



※ TOE and TOF keep their current value after a loss of power to the smart relay if “M Keep” is active, but the others’ reset to 0.

Timer Mode 3 (OFF-Delay)

Mode 3 Timer is an OFF-Delay with reset that will time up to a fixed preset value and stop timing when the current time is equal to the preset value. Additionally, the Timer current value will reset to zero when Timer is disabled. In the example below, the timer reset input is Input I01. Timer status bit T01 will be ON immediately when its rung is true. The timer will only begin timing up when its rung changes to false. Timer status bit T01 will turn OFF when the current time value reaches its preset value of 10 seconds.



※ TOE and TOF keep their current value after a loss of power to the smart relay if “M Keep” is active, but the others’ reset to 0.

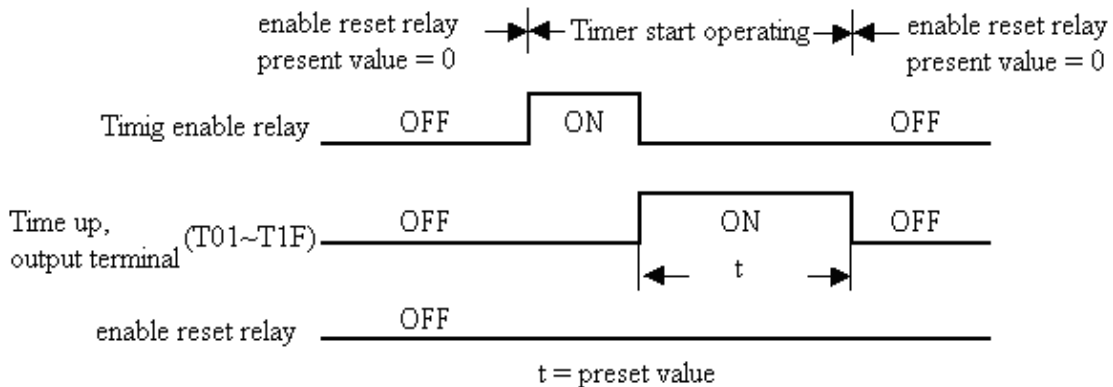
Timer Mode 4 (OFF-Delay)

Mode 4 Timer is an OFF-Delay with reset that will time up to a fixed preset value and stop timing when the current time is equal to the preset value. Additionally, the Timer current value will reset to zero when Timer is disabled. In the example below, the timer reset input is Input I01. The timer status bit T01 will turn ON only after its rung transitions from true to false. Timer status bit T01 will turn OFF when the current time value reaches its preset value of 10 seconds.

The diagram shows a timer coil symbol with terminals 1, 2, 3, 4, 5, and 6. Terminal 1 is the top terminal, 2 and 3 are on the left, 4 and 5 are in the middle, and 6 is on the right. Below it is a detailed view of the coil with terminal 3 labeled 'T01', terminal 4 labeled '0000', terminal 5 labeled '0010', and terminal 6 labeled 'T01'. To the right is the 'Edit Contact/Coil' window for a timer. The window shows the following settings:

- Timer: T 01 (01~1F) Symbol
- Output Type: -I (checked), Reset, Set, P
- Function: Mode 4 (0~6: -, 7: P) Off-delay timer mode 2
- Time Base: 1SEC
- Current Value: SEC
- Preset Value: 0010 SEC
- Preset Type: N
- Direction Set: Contact
- Reset Input: Contact I 01

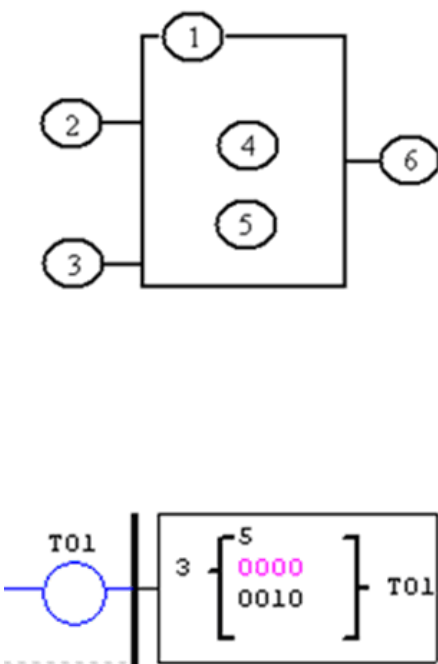
The window also includes a timing diagram showing 'Enable' and 'Output' signals. The 'Enable' signal is a pulse, and the 'Output' signal is a pulse that starts when the enable signal goes high and ends when the enable signal goes low. A red double-headed arrow indicates the duration of the output pulse, labeled 't'.



※ TOE and TOF keep their current value after a loss of power to the smart relay if “M Keep” is active, but the others’ reset to 0.

Timer Mode 5 (FLASH without reset)

Mode 5 Timer is a Flash timer without reset that will time up to a fixed preset value and then change the state of its status bit. Additionally, the Timer current value will reset to zero when Timer is disabled. In the example below, timer status bit T01 will be ON immediately when its rung is true and begin its timing sequence. Timer status bit T01 will turn OFF when the current time value reaches its preset of 10 seconds. This Flash sequence of the Timer status bit T01 will continue as long as its rung remains true.



Edit Contact/Coil

Q | Y | M | N | T | C

Select Coil No. T 01 (01~1F) Symbol

Output Type: -[Reset Set P

Function: Mode 5 (0~6: -[, 7: P) Flash timer mode 1

Enable: [Timing diagram showing a pulse]

Output: [Timing diagram showing a square wave]

Time Base: 1SEC

Current Value: [] Sec

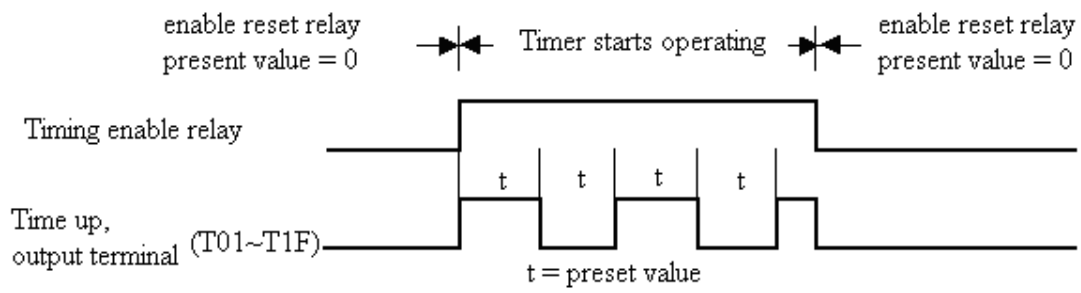
Preset Value: 0010 Sec

Preset Type: N

Direction Set: Contact []

Reset Input: Contact []

OK Cancel



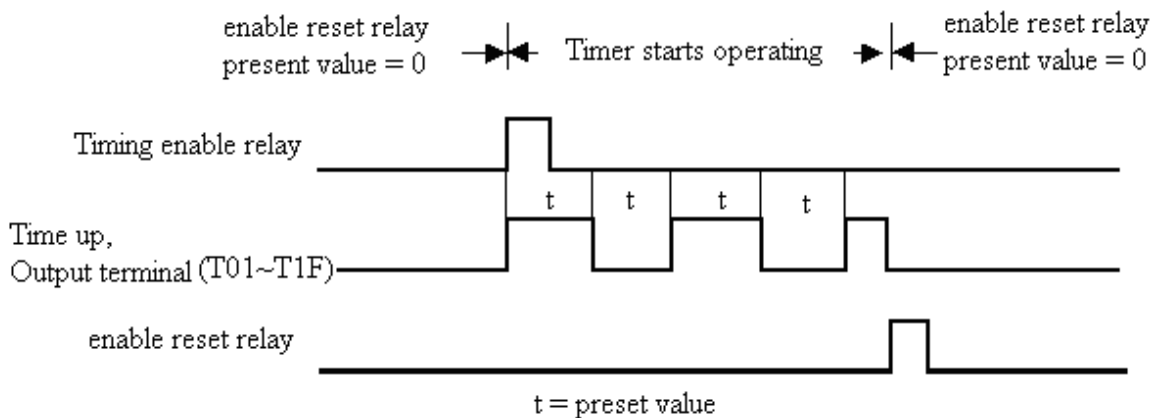
※ The current value of Timer can not be kept on a loss of power to smart.

Timer Mode 6 (FLASH with Reset)

Mode 6 Timer is a Flash timer with reset that will time up to a fixed preset value and then change the state of its status bit. Additionally, the Timer current value will reset to zero when Timer is disabled. In the example below, the timer reset input is Input I01. Timer status bit T01 will be ON immediately when its rung is true and begin its timing sequence. Timer status bit T01 will turn OFF when the current time value reaches its preset of 10 seconds. This Flash sequence of the timer status bit T01 will continue as long as the reset input signal does not be triggered.

The diagram shows a timer block with terminals 1, 2, 3, 4, 5, and 6. Terminal 1 is the output, 2 and 3 are inputs, and 4 and 5 are internal connections. Below it is a ladder logic rung with a normally open contact labeled T01 and a coil labeled T01. The configuration window 'Edit Contact/Coil' is shown with the following settings:

- Timer: T 01 (01~1F) Symbol
- Output Type: - [Reset Set P
- Function: Mode 6 (0~6: -, 7: P) Flash timer mode 2
- Waveform: Shows Enable (a single pulse), Reset (a pulse at the end), and Output (a series of pulses labeled 't').
- Time Base: 1SEC
- Current Value: [] SEC
- Preset Value: 0010 SEC
- Preset Type: N
- Direction Set: Contact []
- Reset Input: Contact I 01



※ The current value of Timer can not be kept on a loss of power to smart.

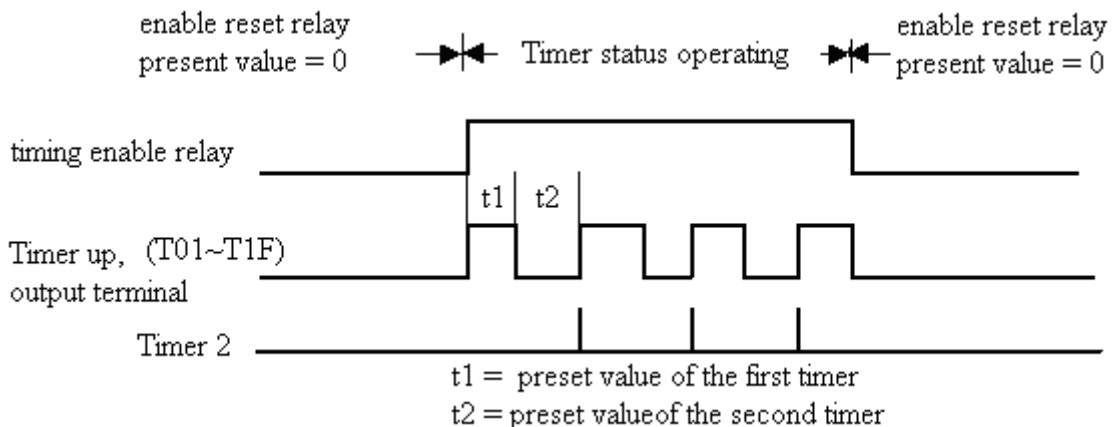
Timer Mode 7 (FLASH Cascade without Reset)

Mode 7 Timer is a Flash Timer which using two Timers in a cascade configuration without reset. The second Timer number follows the first Timer. The cascade configuration connects the timer status bit of first timer to enable the second timer. The second timer will time up to its preset value then flash and its timer status bit will enable the first timer. Additionally, the Timer current value will reset to zero when Timer is disabled. In the example below, timer status T01 will be ON after it completes its timing sequence of 2.5 seconds. Timer 2 will then begin its timing sequence of 1 second. When the current time value of Timer 2 reaches its preset of 1 second, its status bit T02 will flash and Timer 1 will begin timing again. This type of cascade timer is often used in combination with a counter in applications where it is necessary to count the number of time cycles completed.

※ Those two timers of Timer Mode 7 that cannot be double used as Timers for other modes in the same program.

The diagram shows a ladder logic circuit with two timer coils, T01 and T02, in series. T01 has a preset value of 2.5 seconds, and T02 has a preset value of 1.0 second. The configuration window 'Edit Contact/Coil' shows the following settings:

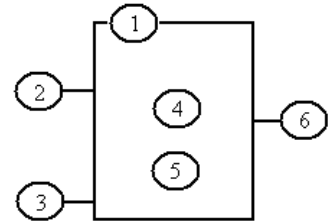
- Select Coil No.: T 01 (01-1F)
- Output Type: P (Pulse)
- Function Mode: 7 (Flash timer mode 3)
- Time Base: 0.1SEC
- Current Value: 000.0
- Preset Value: 002.5
- Preset Type: N
- Reset Input: Contact T 02



※ The current value of Timer can not be kept on a loss of power to smart.

Counter Instructions

The SG2 includes 31 counters that can be used throughout a program. Each counter has a choice of 9 operation modes, 1 for pulse counter, 6 for general purpose counting and 2 for high speed counting. Additionally, each counter has 6 parameters for proper configuration. The tables below describe each configuration parameter and lists each compatible memory type for configuring counters.



Common Counter

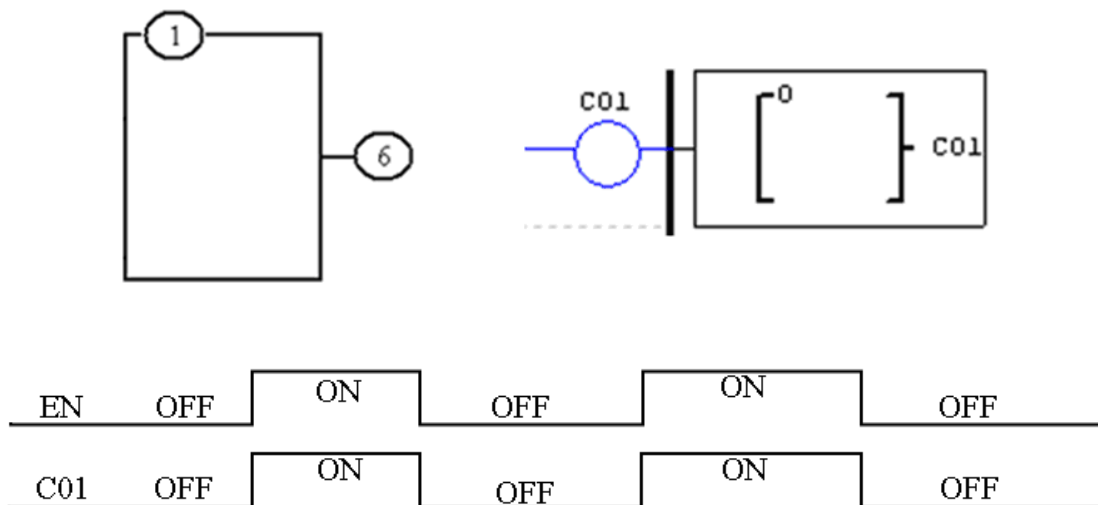
Symbol	description
①	Counting Mode (0-6)
②	Use (I01~g1F) to set counting up or down OFF: counting up (0, 1, 2, 3.....) ON: counting down (.....3, 2, 1, 0)
③	Use (I01~g1F) to reset the counting value ON: the counter value reset to 0 OFF: the counter continues to count
④	Counter current Value, range: 0~999999
⑤	Counter preset Value, range: 0~999999
⑥	Counter Code (C01~C1F total: 31 Counters)

Compatible Instructions	Range
Input	I01-I0C/i01-i0C
Keypad input	Z01-Z04/z01-z04
Output	Q01-Q08/q01-q08
Auxiliary coil	M01-M3F/m01-m3F
Auxiliary coil	N01-N3F/n01-n3F
Expansion input	X01-X0C/x01-x0C
Expansion output	Y01-Y0C/y01-y0C
RTC	R01-R1F/r01-r1F
Counter	C01-C1F/c01-c1F
Timer	T01-T1F/t01-t1F
Analog comparator	G01-F1F/g01-g1F
Normal open contact	Lo

※ The preset value of Counter could be a constant or other function current value.

Counter Mode 0 (Internal coil)

Mode 0 Counter (Internal Coil) used as internal auxiliary coils. No counter preset value. In the example below shows the relationship among the numbered block diagram for a mode 0 counter, the ladder diagram view, and the software Edit Contact/Coil dialog box.



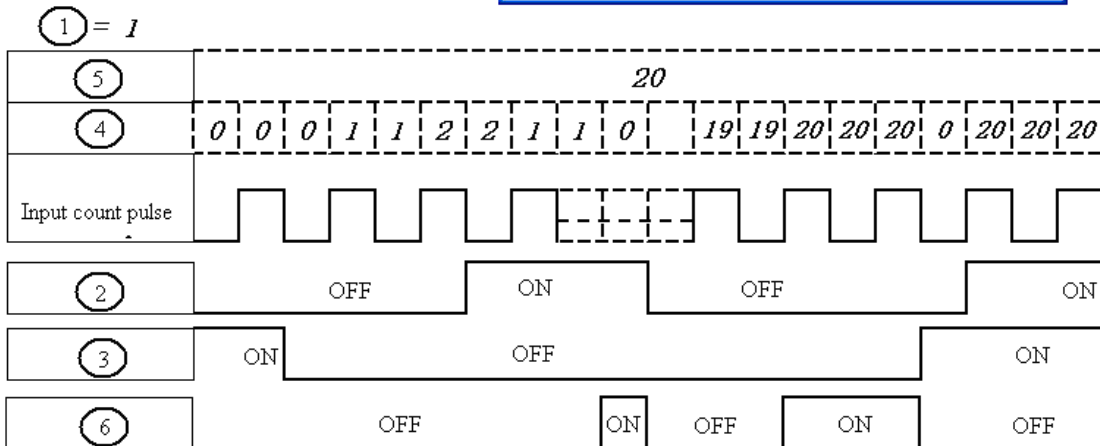
Counter Mode 1 (Non-Overtake, Non-Retentive)

Mode 1 Counter will count up to a fixed preset value and stop counting when the current count is equal to the preset value, or count down to 0 and stop counting when the current count is equal to 0. Additionally, the current count value is non-retentive and will reset to zero or preset value when restart the SG2 unit or change the Run/Stop mode, reset to zero or preset value depends on the counting direction. In the example below, the counter will stop counting when it reaches the preset value of 20. Counter status bit C01 will be ON when the current value is 20.

The diagram shows a counter module with six terminals: 1 (top), 2 (left), 3 (left), 4 (middle), 5 (middle), and 6 (right). Terminal 1 is connected to terminal 6. Terminal 2 is connected to terminal 4. Terminal 3 is connected to terminal 5. Terminal 4 is connected to terminal 5. Terminal 5 is connected to terminal 6. Terminal 6 is connected to terminal 1. Terminal 1 is connected to terminal 6. Terminal 2 is connected to terminal 4. Terminal 3 is connected to terminal 5. Terminal 4 is connected to terminal 5. Terminal 5 is connected to terminal 6. Terminal 6 is connected to terminal 1.

The 'Edit Contact/Coil' window shows the following configuration:

- Counter: C 01 (01~1F)
- Function: Mode 1 (0~8)
- Counter without overtaking and without power down retain current value
- Pre val=20
- Cur val: 0 0 0 1 1 2 2 1 1 0 19 19 20 20 20 0 20 20 20
- Current Value: []
- Preset Value: 000020
- Preset Type: N
- Direction Set: Contact M 01
- Reset Input: Contact I 02



※ Under this mode, the counter current value will be init value when the smart is power up or switching between RUN and STOP. The initial value equals to zero if the counter is in counting-up mode, but the preset value in counting-down mode.

Counter Mode 2 (Overtaking, Non-Retentive)

Mode 2 Counter will count up to a fixed preset value and continue counting even reach the preset value, but it won't count when the current value equals 0 in counting-down mode. Additionally, the current count value is non-retentive and will reset to init value on a powering up to the smart relay or switching between RUN and STOP. In the example below, the counter will continuously count when reach its preset value of 20. Counter status bit C01 will be ON when the current value is 20.

Edit Contact/Coil

Counter: C 01 (01~1F) Symbol

Function: Mode 2 (0~8)
Counter with overtaking and without power down retain current value

Pre val=20
Cur val: 000000
Cnt: [Timing Chart]
Dir: [Timing Chart]
Reset: [Timing Chart]
Output: [Timing Chart]

Current Value: []
Preset Value: 000020
Preset Type: N

Direction Set: Contact M 01
Reset Input: Contact I 02

OK Cancel

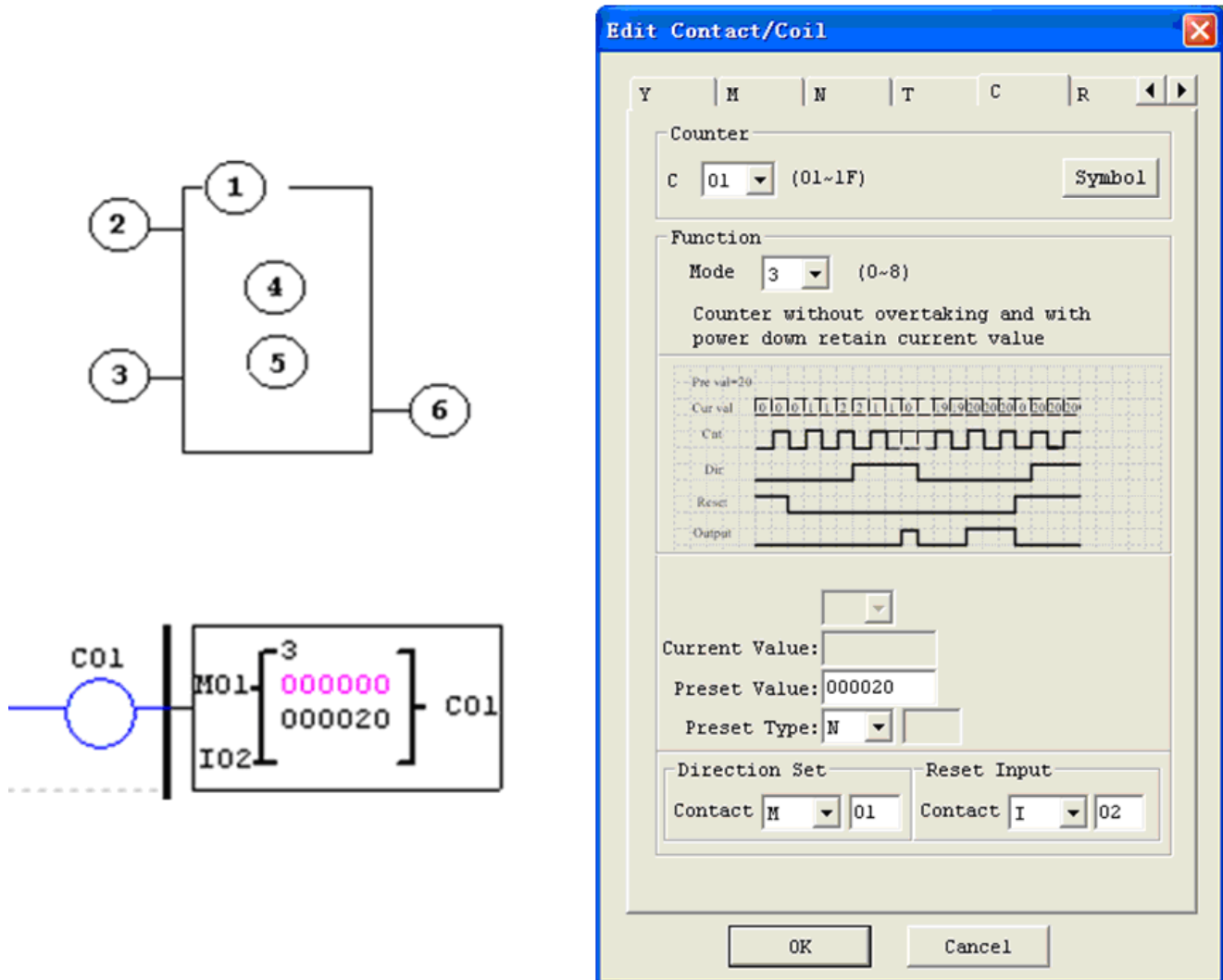
$\textcircled{1} = 2$	20																			
$\textcircled{5}$																				
$\textcircled{4}$	0	19	19	20	20	21	21	20	20	19	19	18	18	0	0	19	19	20	0	20
input counter pulse	[Timing Chart]																			
$\textcircled{2}$	OFF					ON					OFF					ON				
$\textcircled{3}$	OFF														ON					
$\textcircled{6}$	OFF	ON	OFF	OFF	ON	OFF	ON	OFF	ON	OFF	ON	OFF	ON	OFF	ON	OFF	ON	OFF	ON	OFF

- ✘ Under this mode, Counter will continue counting after reaching preset value if it's configured as counting-up mode. But it stops counting when its current value is 0 if it's configured as counting-down mode.
- ✘ The counter current value will be init value when the smart's status switches between RUN and STOP or the smart

is power up. The initial value equals to zero if the counter is in counting-up mode, but the preset value in counting-down mode.

Counter Mode 3 (Non-Overtaking, Retentive)

Mode 3 Counter operation is similar to Mode 1 except its current count value is retentive when restart the power. Mode 3 Counter will count up to a fixed preset value and stop counting at that value, or stop counting when its current value is 0 if it's configured as counting-down mode. Additionally, the current count value is retentive when the smart switches between RUN and STOP if "C Keep" is active. In the example below, the counter will stop counting when it reaches the preset value of 20. Counter status bit C01 will be ON when the current value is 20.



The figure illustrates the configuration and operation of Counter Mode 3. On the left, a schematic diagram shows a counter block with six terminals: 1 (top), 2 (left), 3 (bottom-left), 4 (center), 5 (bottom-right), and 6 (right). Below it, a ladder logic diagram shows a coil labeled C01 connected to a counter block. The counter block has three inputs: M01 (top), I02 (bottom), and a central display showing '000000' and '000020'. The output of the counter is labeled C01.

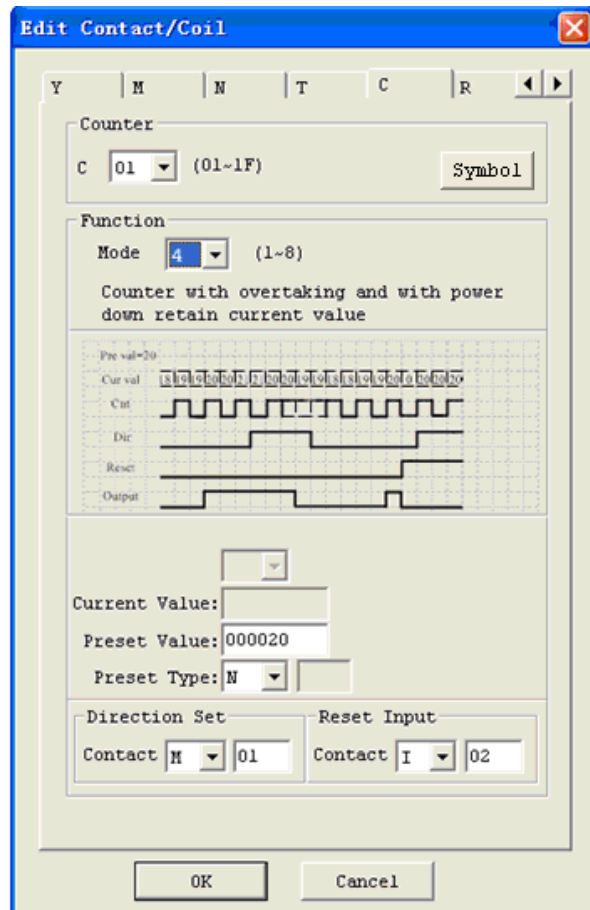
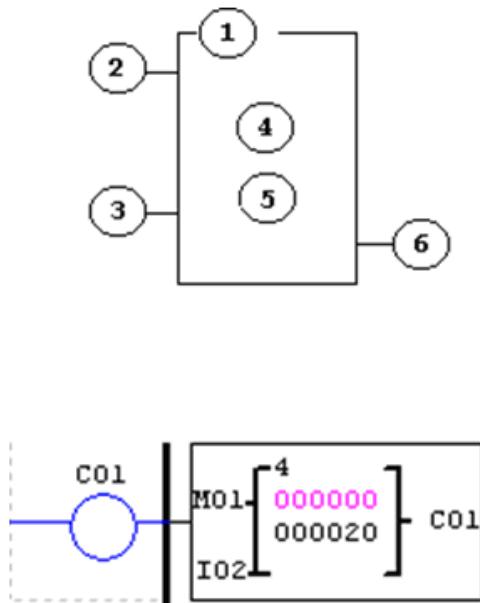
On the right, the 'Edit Contact/Coil' dialog box is shown, configured for Counter Mode 3. The 'Counter' section shows 'C' set to '01' (01~1F) and a 'Symbol' button. The 'Function' section shows 'Mode' set to '3' (0~8) with the description 'Counter without overtaking and with power down retain current value'. A timing diagram shows the 'Cur val' (Current Value) as a 16-bit binary number, 'Cnt' (Count) as a square wave, 'Dir' (Direction) as a step function, 'Reset' as a pulse, and 'Output' as a square wave. The 'Current Value' field is empty, 'Preset Value' is '000020', and 'Preset Type' is 'N'. The 'Direction Set' section shows 'Contact' set to 'M' and '01', and the 'Reset Input' section shows 'Contact' set to 'I' and '02'. 'OK' and 'Cancel' buttons are at the bottom.

This mode is similar to mode 1, but:

- ✘ The current value will be kept when SG2 is in "Run" mode once the power is lost.
- ✘ The current counter value will be kept when the SG2 is switched between RUN and STOP if C-keep is active.

Counter Mode 4 (Overtaking, Retentive)

Mode 4 Counter operation is similar to Mode 2 except its current count value is retentive. The current count value is retentive and will keep its current count after power lost. Mode 4 Counter will count up to a fixed preset value and then continue counting after the preset value, but it won't count when the current value equals 0 if it's configured as counting-down mode. Additionally, the current count value is retentive when the smart switches between RUN and STOP if "C Keep" is active. In the example below, the counter will continue counting after its preset value of 20. Counter status bit C01 will be ON when the current value isn't less than 20.



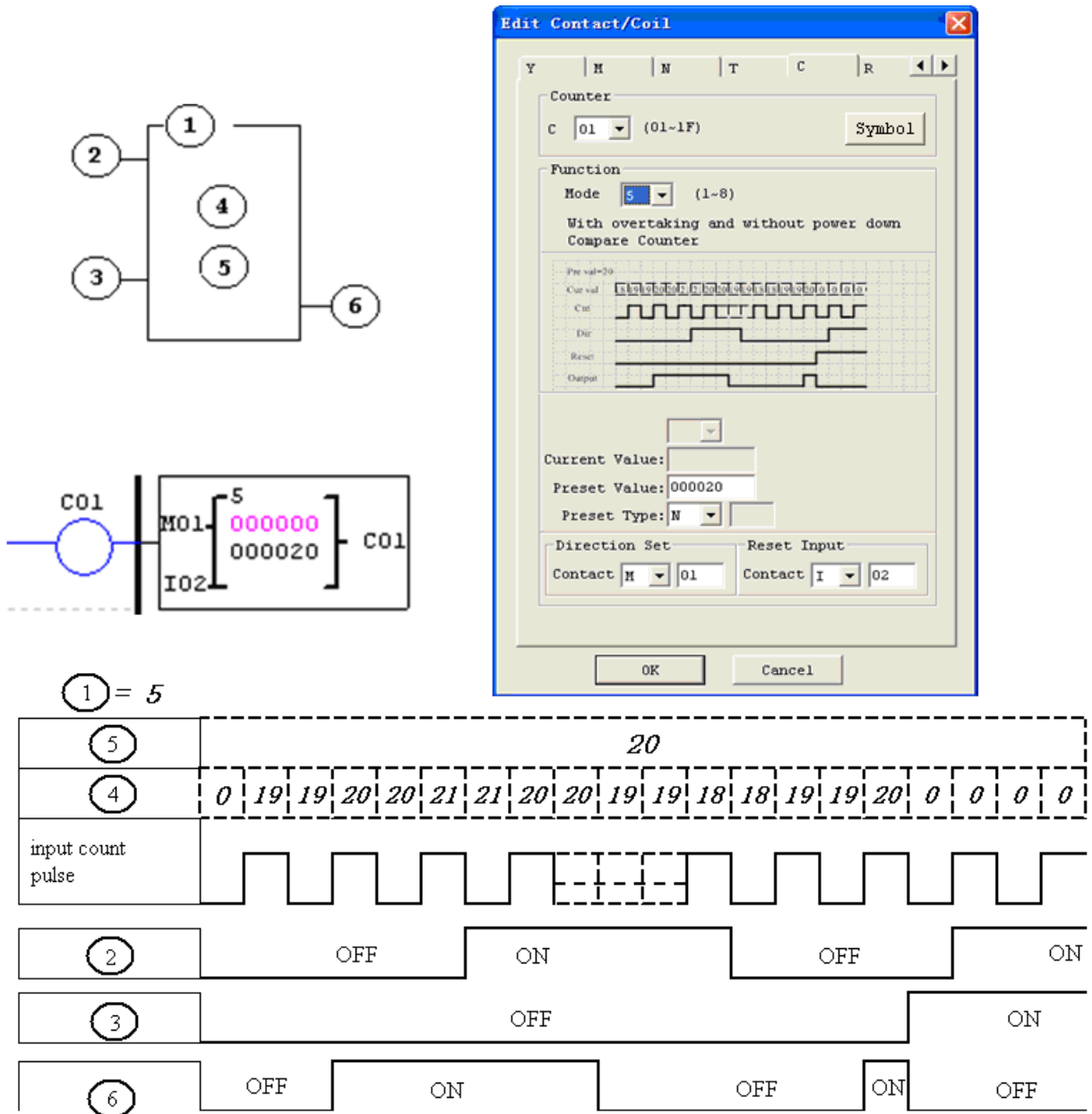
This mode is similar to mode 2, but:

- ✘ The current counter value will be kept when SG2 is in "Run" mode once the power is lost.
- ✘ The current counter value will be kept when the SG2 is switched between RUN and STOP if "C-keep" is active.

Counter Mode 5 (Overtaking, Up-Down Count, Non-Retentive)

Mode 5 Counter’s operation is similar to Mode 2, overtaking and non-retentive. Its status bit will be ON when the counter current value isn’t less than its preset value, and will be OFF when the current value is less than its preset value.

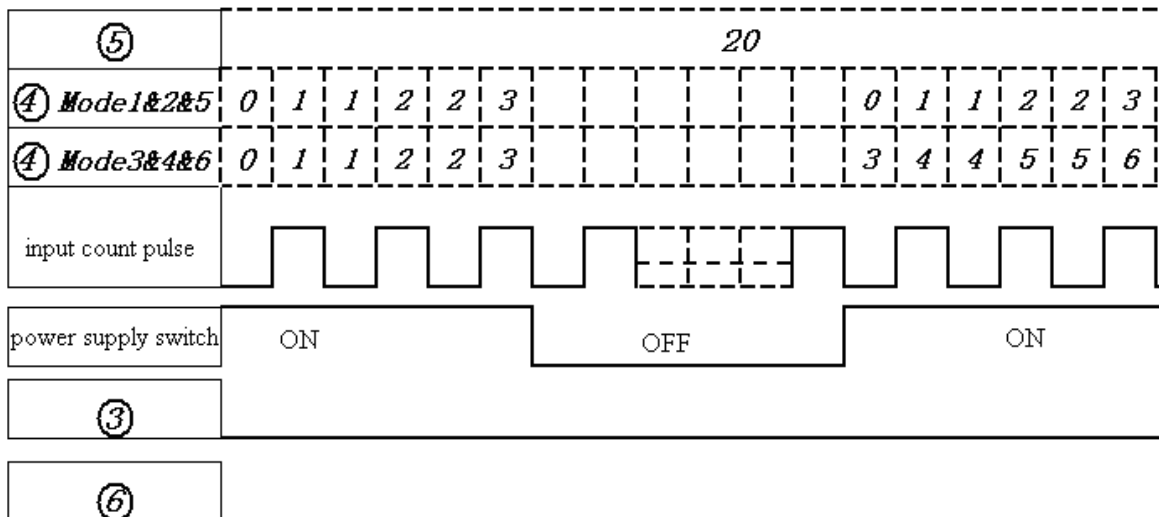
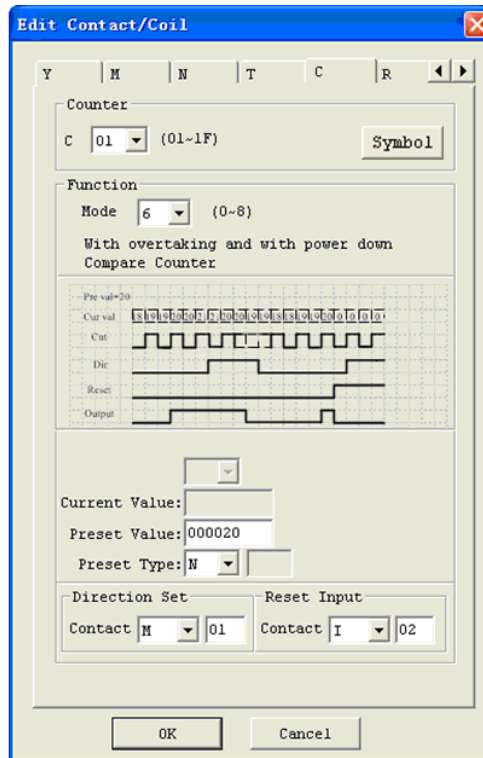
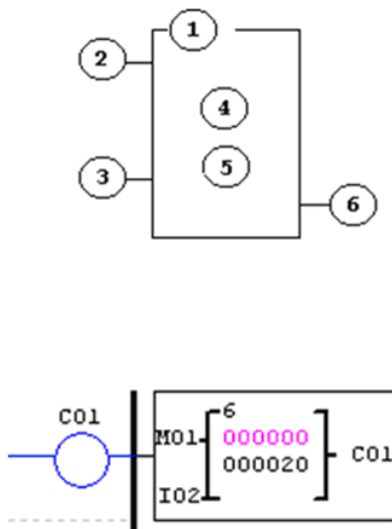
The Mode 5 Counter will count up to a fixed preset value and continue counting even reach the preset value. Additionally, the current count value is non-retentive and will reset to 0 when power lost. Additionally, the Mode 5 counter is always reset to zero, and the current value also is always 0 when the smart switches between RUN and STOP unrelated to the state of its direction bit. In the example below, the counter will continue counting after its preset value of 20. Counter status bit C01 will be ON when the current value is 20.



- ✘ Under this mode, the count will continuous after reaching its preset value;
- ✘ The current value is always 0 regardless of the state of its direction bit when the reset is availability;
- ✘ The current value is always 0 regardless of the state of its direction bit when the smart switches between RUN and STOP.

Counter Mode 6 (Overtaking, Up-Down Count, Retentive)

Mode 6 Counter's operation is similar to Mode 4, its current count value is overtaking and retentive. Its status bit will be ON when the counter current value isn't less than its preset value, and will be OFF when the current value is less than its preset value. Additionally, the Mode 6 counter is always reset to zero, regardless of the state of its direction bit. The current count value is retentive and will keep its current count after power lost. And Counter will keep current value if "C Keep" is active. In the example below, the counter will continue counting after its preset value of 20. Counter status bit C01 will be ON when the current value isn't less than 20.



This mode is similar to mode 5, but:

- ✘ The current value is kept when power lost in Run mode.
- ✘ The current value is kept when change the mode between RUN and STOP if "C Keep" is active.

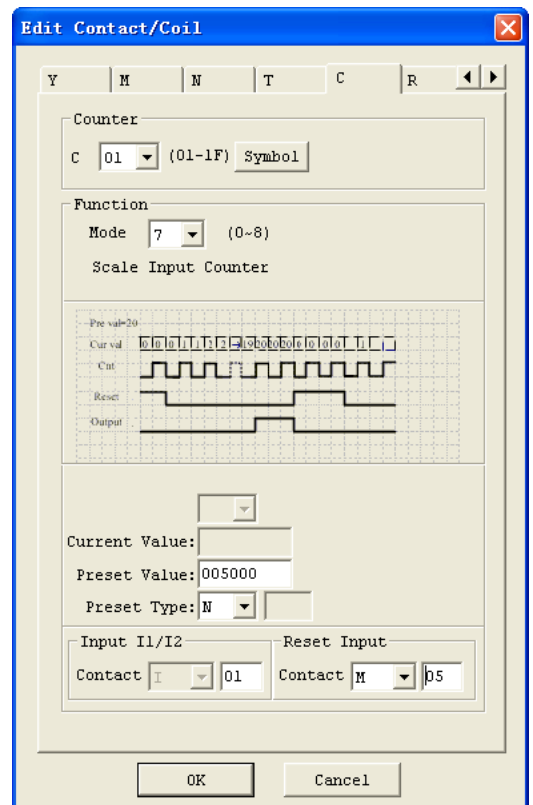
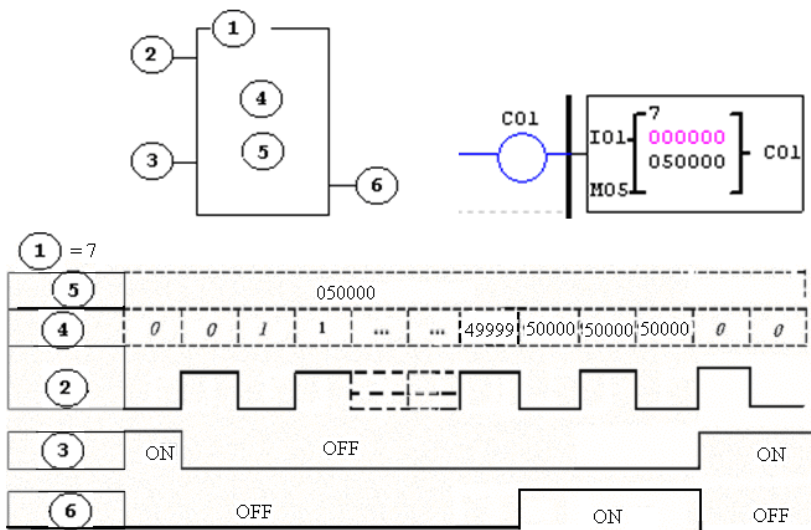
High Speed Counters (DC Version Only)

The DC powered version smart relays include two 1 KHz high speed inputs on terminal I01 and I02. These can be used as general purpose DC inputs or can be wired to a high speed input device (encoder, etc.) when configured for high speed counting.

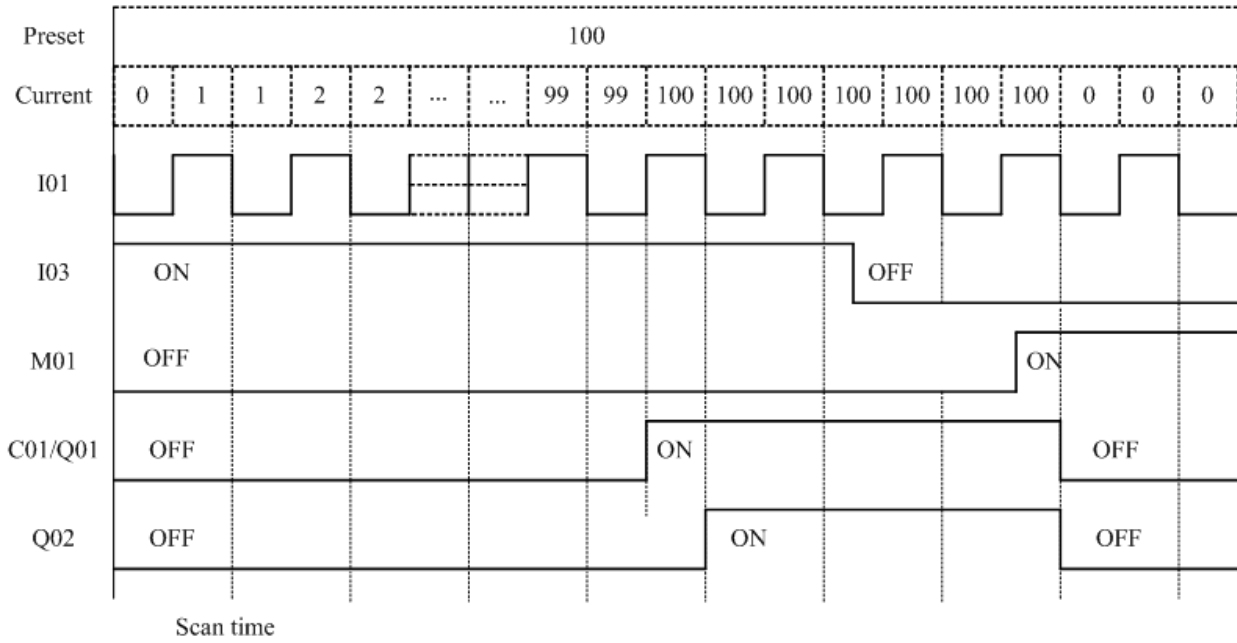
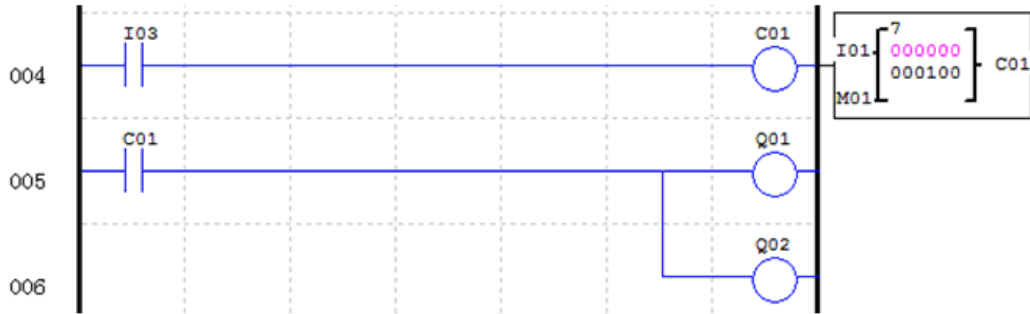
High Speed Counter Mode 7 (DC powered versions only)

The Mode 7 High Speed Counter can use either input terminals I01 or I02 for forward up-counting to 1 KHz maximum at 24VDC high speed input signal. The selected Counter Coil (C01-C1F) will turn ON when the pulse count reaches preset value and remain ON. The counter will reset when the Reset Input is active. In the example below shows the relationship among the numbered block diagram for a Mode 7 Counter, the ladder diagram view, and the software Edit Contact/Coil dialog box.

Symbol	Description
①	Counting Mode (7) high speed counting
②	High speed counting input terminal: I01 or I02 only
③	Use (I01~g1F) to Reset the counting value ON: the counter reset to 0 OFF: the counter continues to count
④	Current Count Value, range: 0~999999
⑤	Preset Value, range: 0~999999
⑥	Counter Coil Number (C01~C1F total: 31 counters)



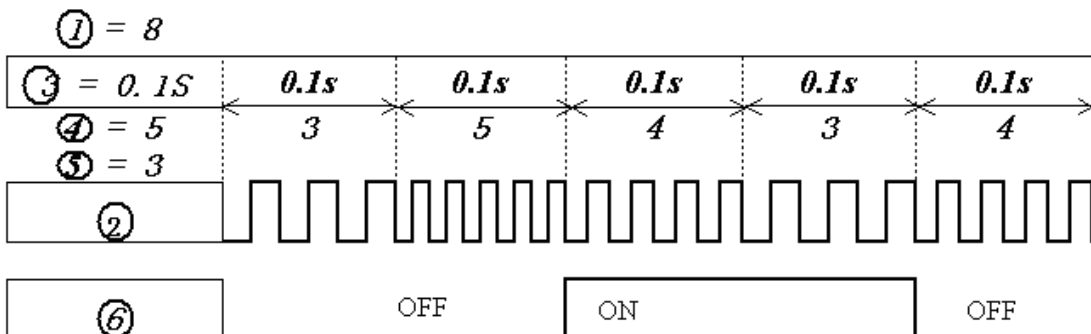
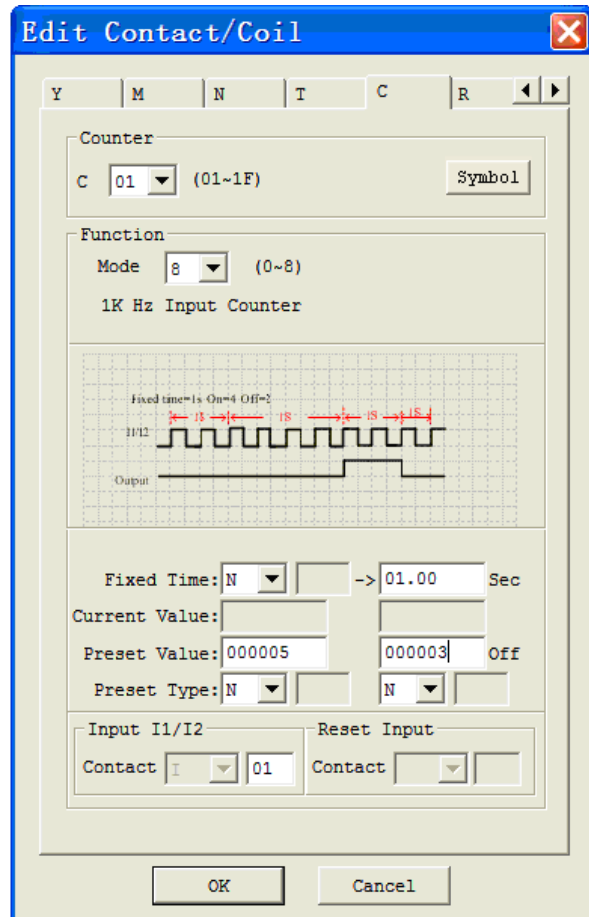
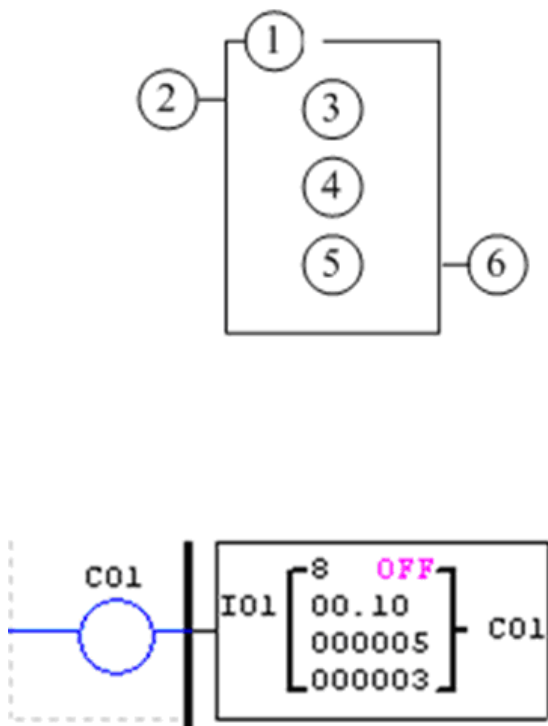
Example: Q01 output ON with C01, and Q02 output ON with scan time.



High Speed Counter Mode 8 (DC powered versions only)

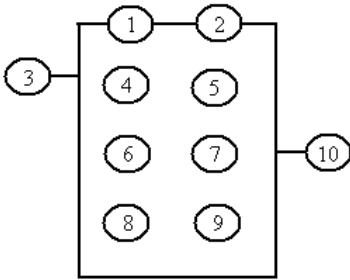
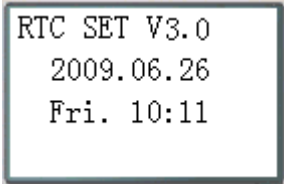
The Mode 8 High Speed Counter can use either input terminals I01 or I02 for forward up-counting to 1 KHz maximum at 24VDC high speed input signal. It will reflash its counted value in each “fixed time”. When the counted value reaches or exceeds the “Preset ON”, then the selected counter coil turns ON at the next cycle. If the counted value change to a value less than “Preset ON” but still large than “Preset OFF”, it still retains ON state. The counter coil does not turn OFF at next cycle until the counted value less than “Preset OFF”. The counter will reset when the preceding rung is inactive. The table below describes each configuration parameter for High Speed Counter Mode 8.

Symbol	Description
①	Counting Mode (8) high speed counting
②	High speed counting input terminal: I01 or I02 only
③	Counting interval time: 0~99.99 sec
④	Counter ‘on’ preset Value, range: 0~999999
⑤	Counter ‘off’ preset Value, range: 0~999999
⑥	Counter Coil Number (C01~C1F total: 31 counters)



Real Time Clock (RTC) Instructions

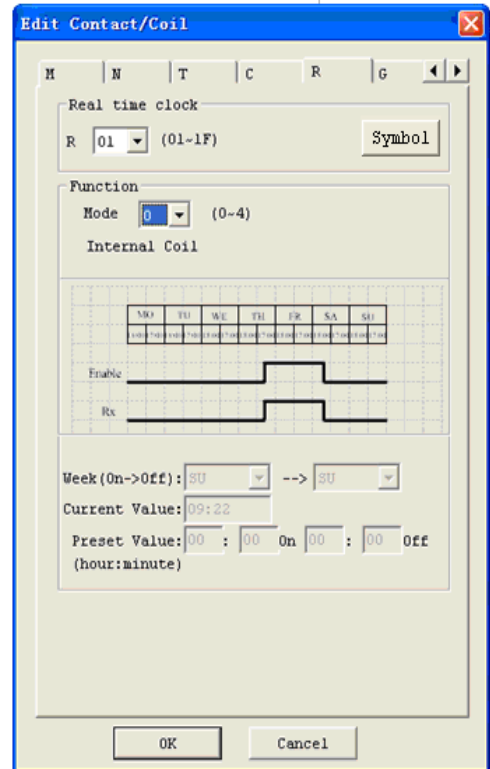
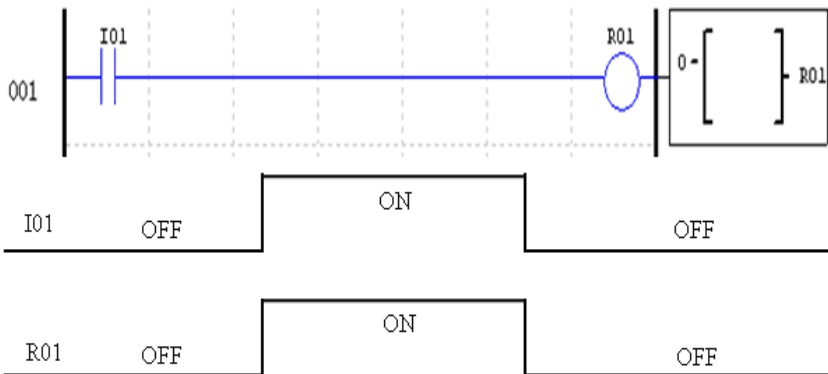
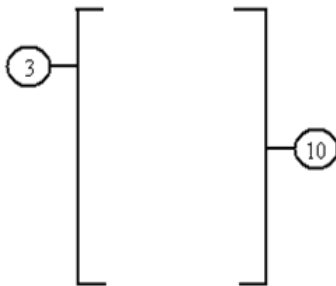
The SG2 smart relay includes 31 RTC coils that can be used throughout a program. Each RTC instruction has a choice of 5 operation modes, and has 10 parameters for proper configuration. The initial clock/calendar setting for each connected SG2 is set using the **Operation>RTC Set** menu selection from the SG2 Client software.



Symbol	Description
①	Input the first week to RTC
②	Input the second week to RTC
③	RTC mode 0~2, 0: internal coil 1:daily, 2:consecutive days
④	RTC displays the hour of present time.
⑤	RTC displays the minute of present time
⑥	Set RTC hour ON
⑦	Set RTC Minute ON
⑧	Set RTC Hour OFF
⑨	Set RTC Minute OFF
⑩	RTC Coil Number (R01~R1F Total: 31 RTC)

RTC Mode 0 (Internal Coil)

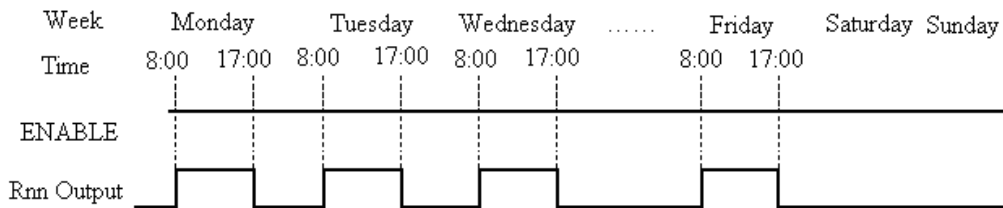
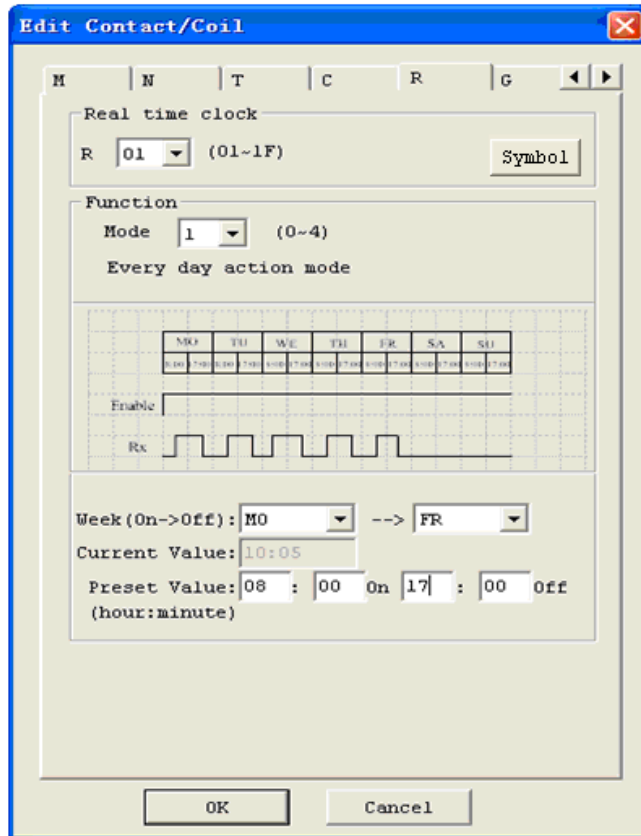
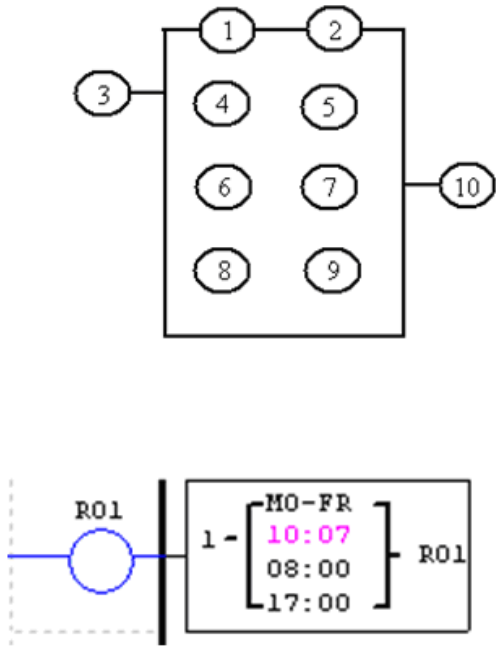
Mode 0 RTC (Internal Coil) used as internal auxiliary coils. No preset value. In the example below shows the relationship among the numbered block diagram for a Mode 0 RTC, the ladder diagram view, and the software Edit Contact/Coil dialog box.



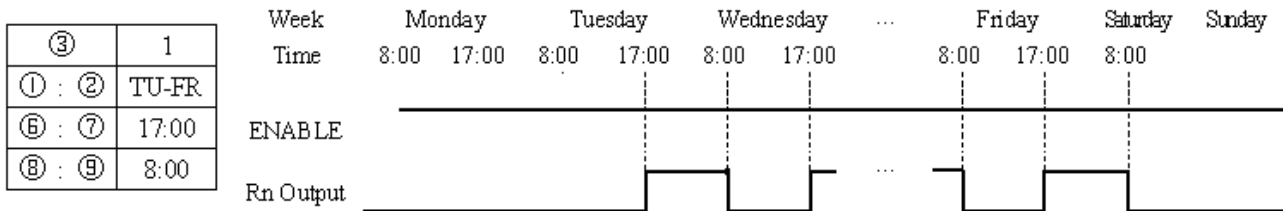
RTC Mode 1 (Daily)

The Daily Mode 1 allows the RTC coil acting based on a fixed time across a defined set of days per week. The configuration dialog below (example 1) allows setting the workdays per week (i.e. Mon-Fri) and the work hours per day. RTC coil/contact turns on in the work-hour of the workday.

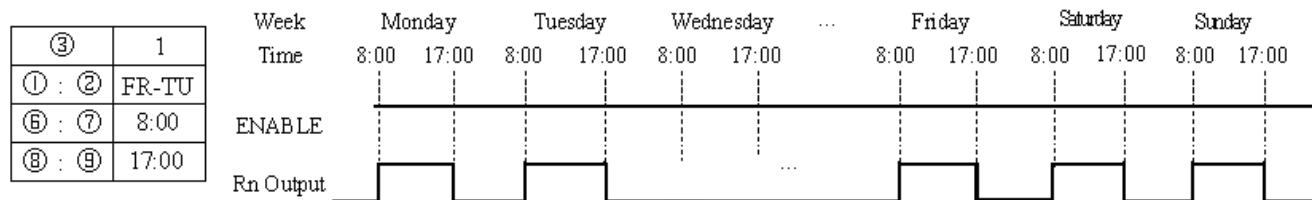
Example 1:



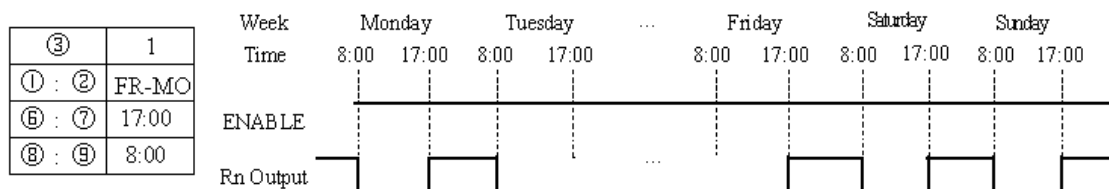
Example 2:



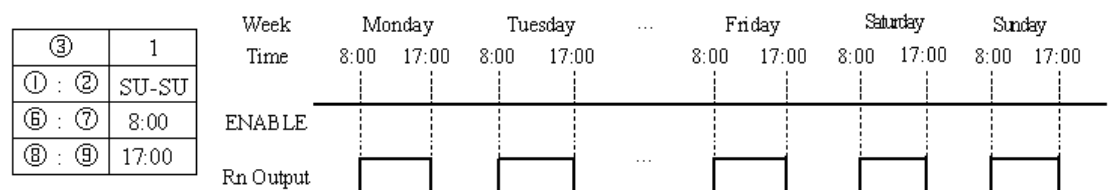
Example 3:



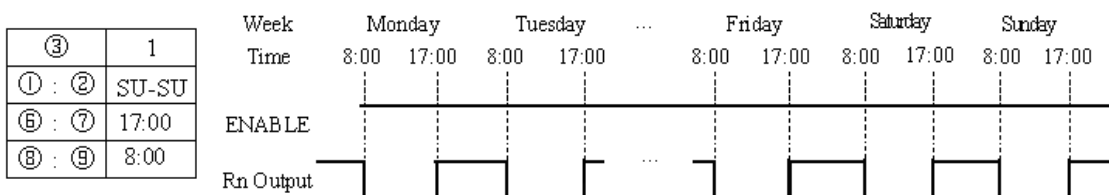
Example 4:



Example 5:



Example 6:



RTC Mode 2 (Interval weekly)

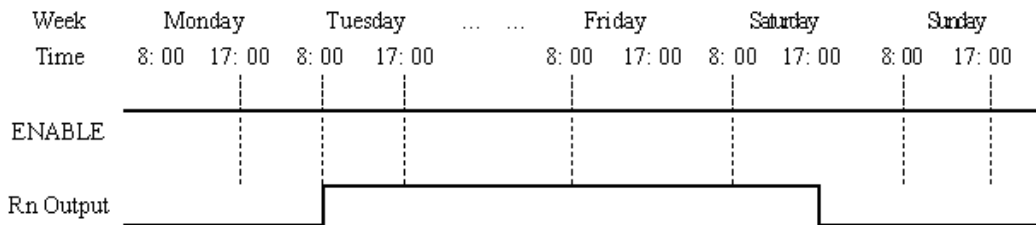
The Interval Time Mode 2 allows the RTC coil acting based on time and day per week. The configuration dialog below (example 1) allows setting the start-working time and stop-working time between two days in each week.

Example 1:

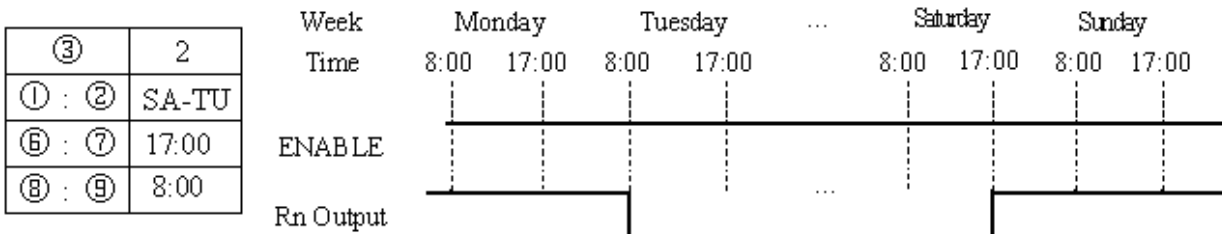
The diagram shows a 10-terminal RTC coil with terminals 1-10. Terminal 1 is connected to terminal 2, and terminal 3 is connected to terminal 10. Below it, a logic symbol for the RTC coil is shown with parameters: R01, Mode 2, TU-SA, 10:31, 08:00, 17:00, and R01.

The configuration dialog 'Edit Contact/Coil' shows the following settings:

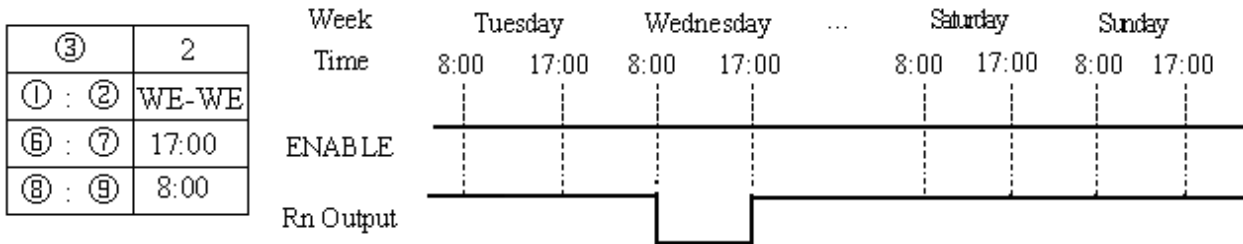
- Real time clock: R 01 (01-1F)
- Function: Mode 2 (0-4)
- Interval time action mode: (Grid with Enable and Rx lines)
- Week (On->Off): TU --> SA
- Current Value: 10:22
- Preset Value: 08 : 00 On 17 : 00 off (hour:minute)



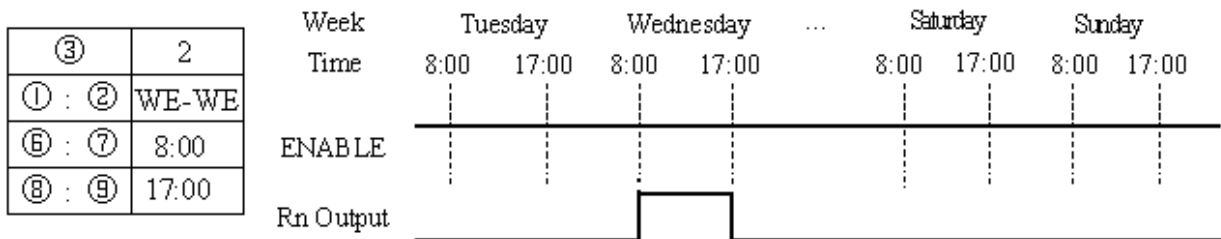
Example 2:



Example 3:

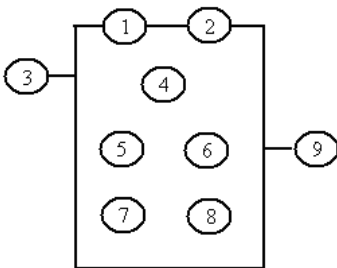


Example 4:



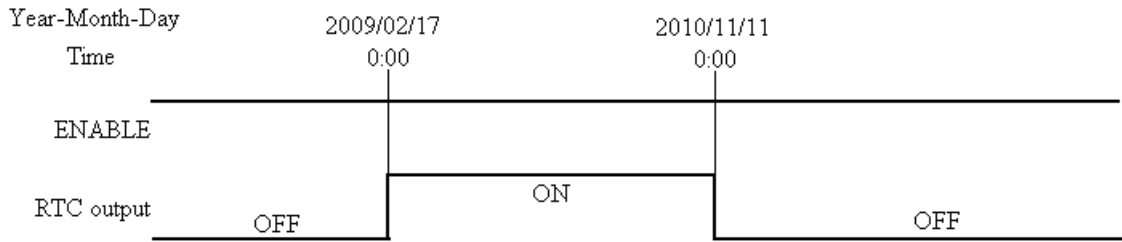
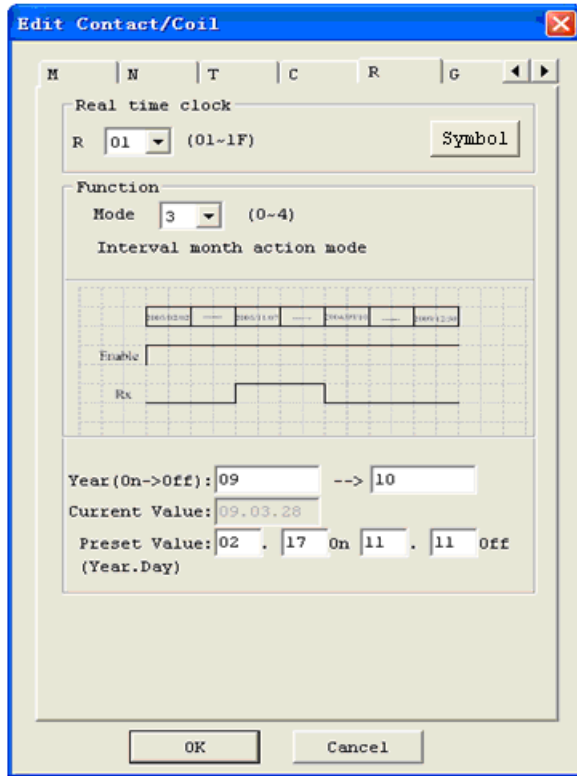
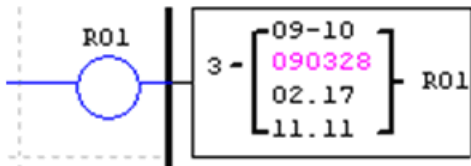
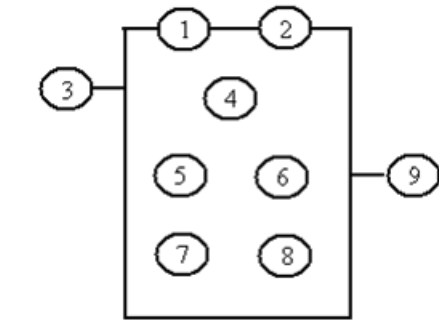
RTC Mode 3 (Year-Month-Day)

The Year-Month-Day Mode 3 allows the RTC coil acting based on Year, Month, and Date. The configuration dialog below (example 1) allows setting the workday between two different dates.



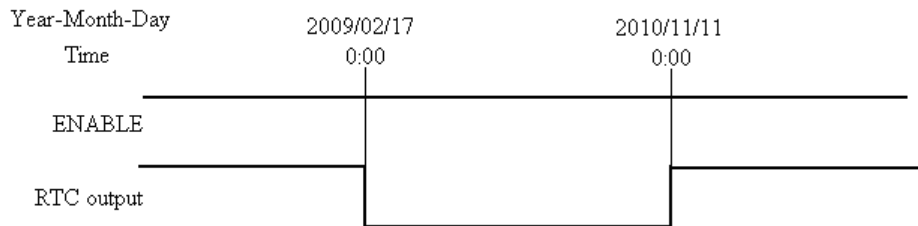
Symbol	Description
①	RTC Year ON
②	RTC Year OFF
③	RTC Mode 3, Year-Month-Day
④	Display RTC present time, Year-Month-Day
⑤	RTC month ON
⑥	RTC day ON
⑦	RTC month OFF
⑧	RTC day OFF
⑨	RTC code (R01~R1F, total 31 group)

Example 1:



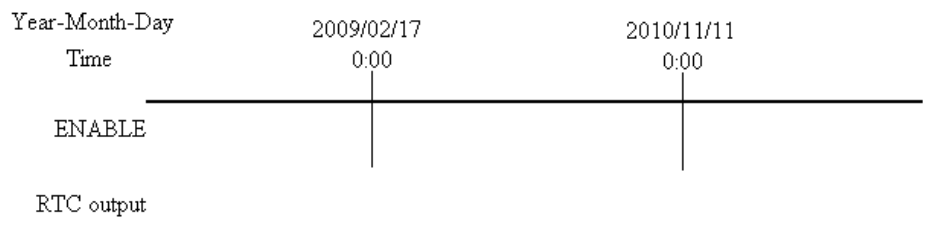
Example 2:

③	3
①/⑤/⑥	2010/11/11
②/⑦/⑧	2009/02/17



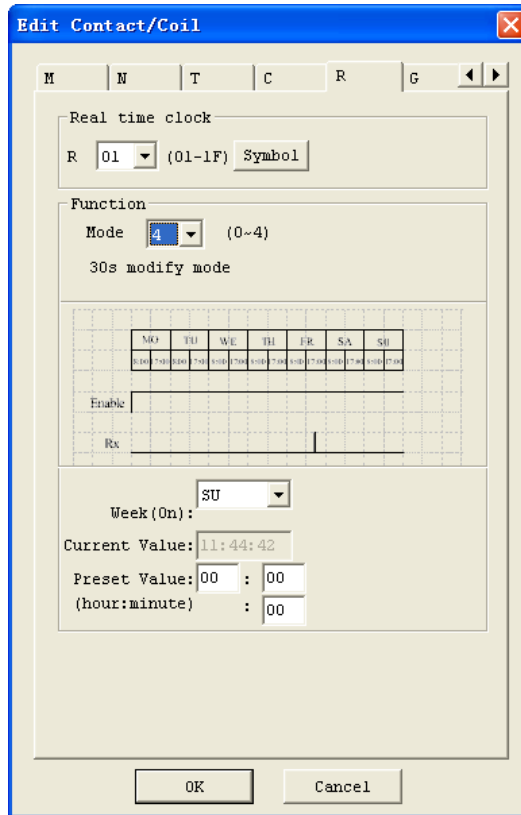
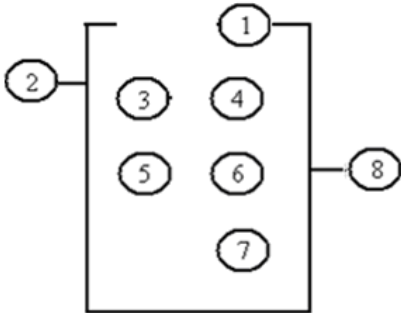
Example 3:

③	3
①/⑤/⑥	2010/11/11
②/⑦/⑧	2010/11/11



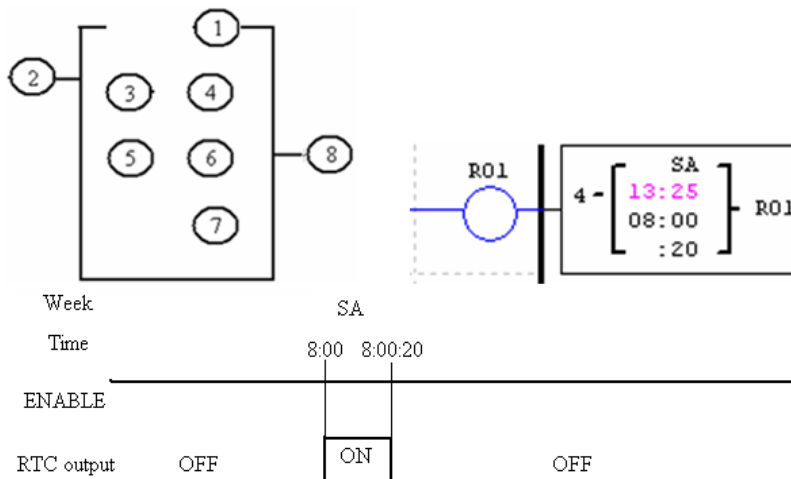
RTC Mode 4 (30-second compensator)

The 30-second compensator, Mode 4, allows the RTC coil acting based on week, hour, minute and second. The configuration dialog below shows the setting of week, hour, minute and second for the TRC mode 4.



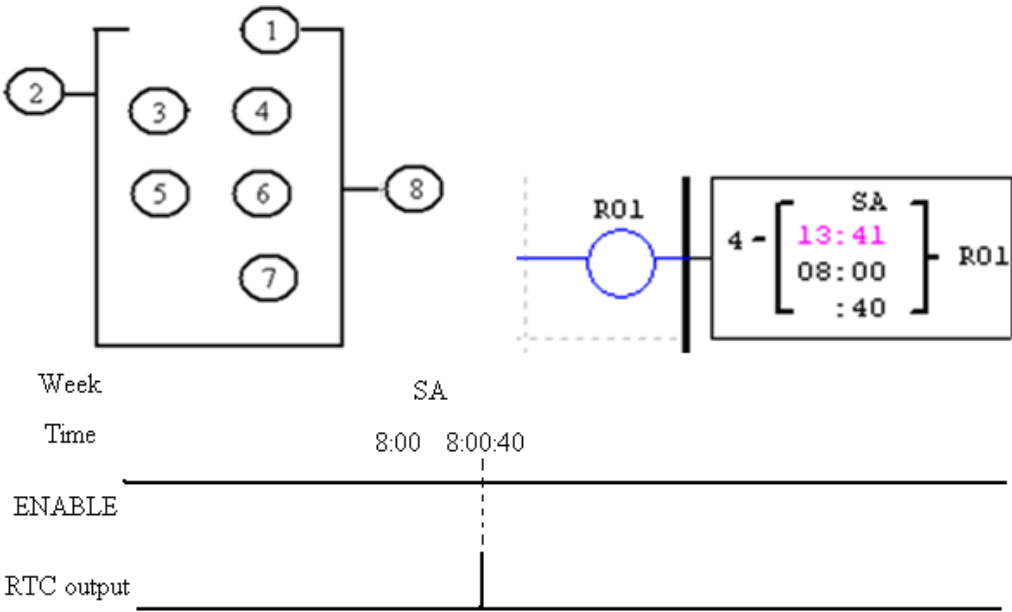
Symbol	Description
①	RTC adjustment week
②	RTC mode 4
③	RTC present hour
④	RTC present minute
⑤	RTC adjustment hour
⑥	RTC adjustment minute
⑦	RTC adjustment second
⑧	RTC code (R01~R1F, total 31 group)

Example 1: preset second < 30s



※ The current time will return to 8:00:00 when it achieves 8:00:20 at first time, and RTC contact, R01, will turn ON, then it does not turns OFF until the present time achieves 8:00:20 again. Then time keeps going. So, this means that RTC status bit is ON for 21 seconds.

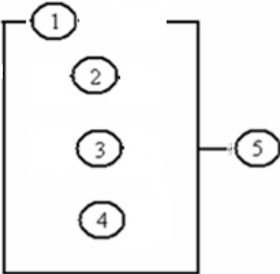
Example 2: preset second >= 30s



※ The present time will change to be 8:01:00 when it achieves 8:00:40, and RTC status bit R01 turns ON in one scan time. Then time keeps going and R01 turns OFF.

Comparator Instructions

The SG2 smart relay includes 31 comparator coils that can be used throughout a program. Each comparator has 8 different operation modes. Additionally, each comparator has 5 parameters for proper configuration. The table below describes each configured parameter, and lists each compatible element for configuring Comparators.

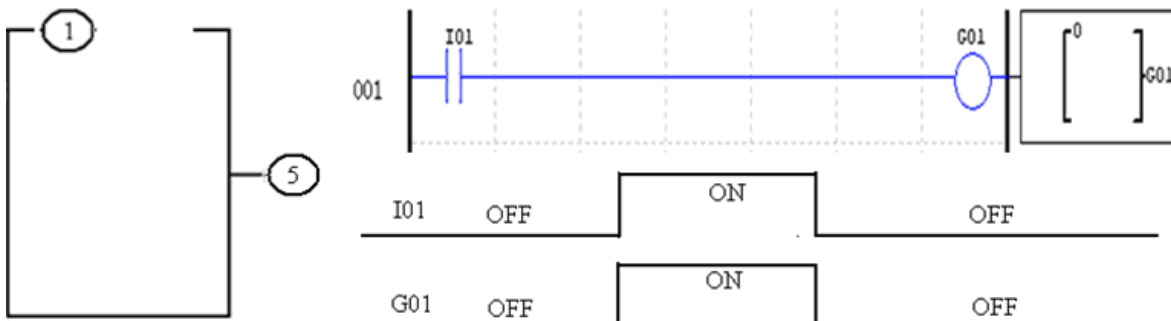


Symbol	Description
①	Comparison Mode (0~7)
②	Ax analog input value (0.00~99.99)
③	Ay analog input value (0.00~99.99)
④	Reference comparative value, could be constant, or other data code
⑤	Output terminal (G01~G1F)

※ The preset value ②, ③ and ④ can be a constant or refer to other function current value.

Comparator Mode 0 (Internal Coil)

Mode 0 Comparator (Internal Coil) used as internal auxiliary coils. No preset value. In the example below shows the relationship among the numbered block diagram for a Mode 0 Comparator, the ladder diagram view, and the software Edit Contact/Coil dialog box.



Analog comparator Mode 1~7

- (1) Analog Comparator mode 1: $Ay - \text{④} \leq Ax \leq Ay + \text{④}$, ⑤ON ;
- (2) Analog Comparator mode 2: $Ax \leq Ay$, ⑤ON ;
- (3) Analog Comparator mode 3: $Ax \geq Ay$, ⑤ON ;
- (4) Analog Comparator mode 4: $\text{④} \geq Ax$, ⑤ON ;
- (5) Analog Comparator mode 5: $\text{④} \leq Ax$, ⑤ON ;
- (6) Analog Comparator mode 6: $\text{④} = Ax$, ⑤ON ;
- (7) Analog Comparator mode 7: $\text{④} \neq Ax$, ⑤ON ;

Example 1: Analog Signal Compare

In the example below, Mode 4 is the selected function that compares the value of analog input A01 to a constant value (N) of 2.50. Status coil G01 turns ON when A01 is not less than constant 2.50.

The diagram shows a ladder logic network with a coil G01 and a contact block. The contact block contains a mode number '4', the address 'A01', and a preset value '02.50V'. The coil G01 is connected to the contact block. To the right is the 'Edit Contact/Coil' dialog box. The 'Analog comparator' section shows 'G' set to '01' and 'Symbol' selected. The 'Function' section shows 'Mode' set to '4' with the expression 'Ax<=Ref.'. The 'Preset Value' is '02.50' and 'Preset Type' is 'N'. The 'Current Value' is '01' and 'Ay' is '02'.

Example 2: Timer/Counter present value Compare

The Comparator instruction can be used to compare Timer, Counter, or other function values to a constant value or each other. In this example below, Mode 5 is the selected function that compares the value of Counter (C01) with the value of Timer (T01). Status coil G01 turns ON if present value of C01 isn't less than present value of T01.

The diagram shows a ladder logic network with a coil G01 and a contact block. The contact block contains a mode number '5', the address 'C01', and the address 'T01'. The coil G01 is connected to the contact block. To the right is the 'Edit Contact/Coil' dialog box. The 'Analog comparator' section shows 'G' set to '01' and 'Symbol' selected. The 'Function' section shows 'Mode' set to '5' with the expression 'Ax>=Ref.'. The 'Preset Value' is '00.00' and 'Preset Type' is 'T'. The 'Current Value' is 'C' and 'Ay' is '02'.

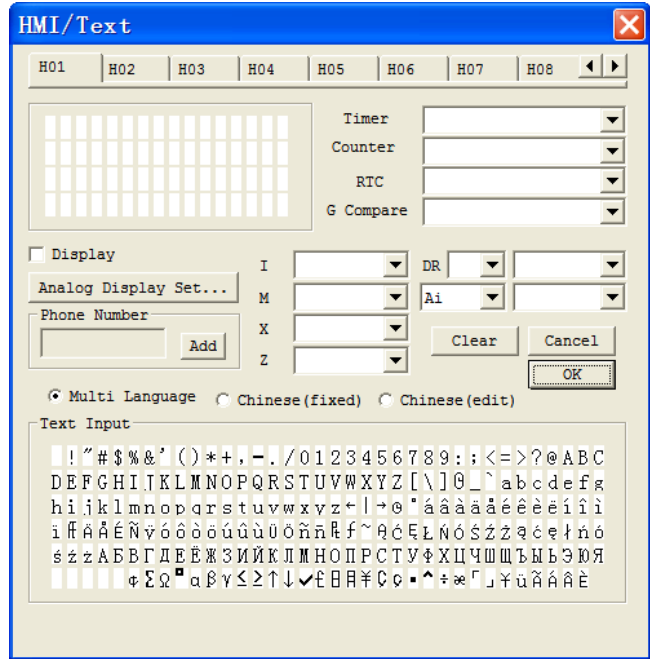
HMI Display Instructions

The SG2 smart relay includes 31 HMI instructions that can be used throughout a program. Each HMI instruction can be configured to display information on the SG2 16×4 character LCD in text, numeric, or bit format for items such as current value and preset value for functions, Input/Output bit status, and text. There are three kinds of text in HMI, Multi Language, Chinese (fixed) and Chinese (edit). Each HMI instruction can be configured separately using the **Edit>>HMI/Text** menu selection from the SG2 Client software.

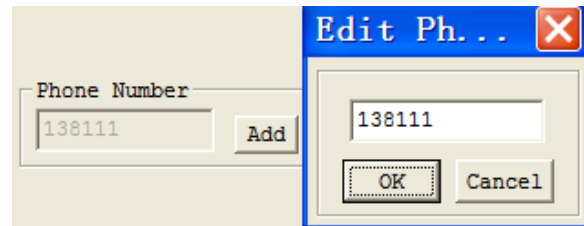
Allows the SEL button on the SG2 keypad to activate the selected message onto the LCD even the Hxx is inactive.

※More information about HMI/TEXT to see:

[Chapter 3: Program Tools—Ladder Logic Programming Environment —HMI/TEXT.](#)

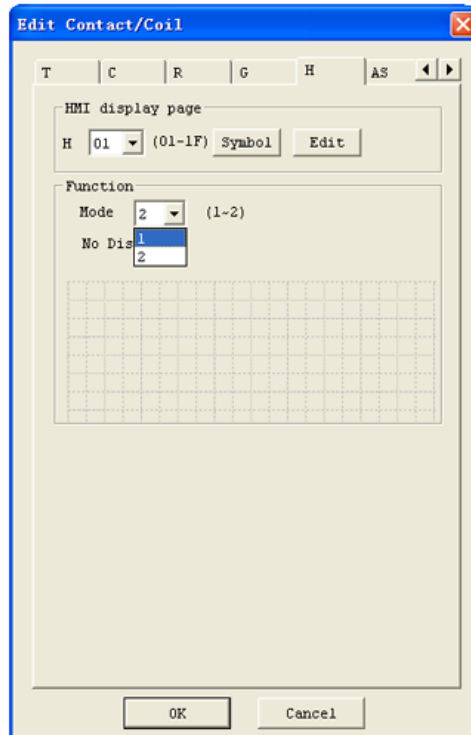
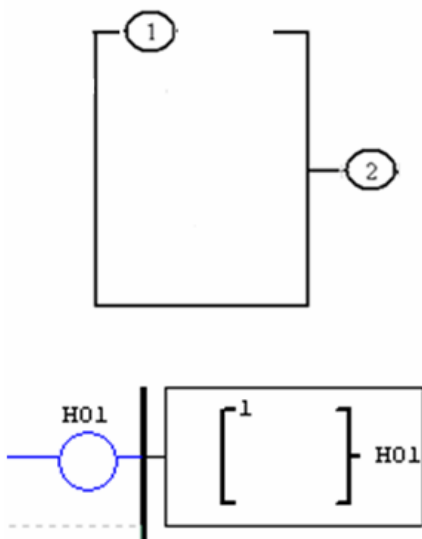


H01~H14 can display the setting telephone number and send alarm message to the setting number by GSM module.



Each HMI instruction has a choice of 2 operation modes. The table below describes each configuration parameter.

Symbol	Description
①	Display mode (1-2)
②	HMI character output terminal (H01~H1F)



HMI function instruction

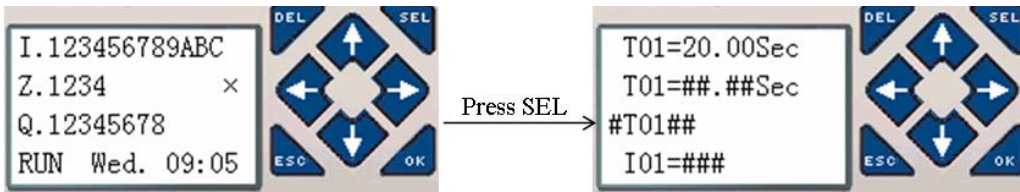
1. HMI can display character, built-in Chinese, user-defined Chinese and GSM telephone number. This information can not be edited through keypad.
2. HMI can display function current value (T, C, R, G and DR), analog input/output value (A, AT, AQ). This information can not be edited through keypad.
3. HMI can display preset value of function (T, C, R, G and DR). This information can be edited through keypad.
4. HMI display state of coil (I, X, Z, M and N), state of M and N can be edited through keypad.
5. Once more than one HMI enabled at the same time, press changing page button to display other HMI screen.
6. When another HMI is enabled, SG2 can auto-determine whether does HMI screen display the present page or change to the new HMI screen; it depends on the HMI code. For example, HMI keeps H01 screen as the present screen even though H02 coil be exercised.

Keypad instruction

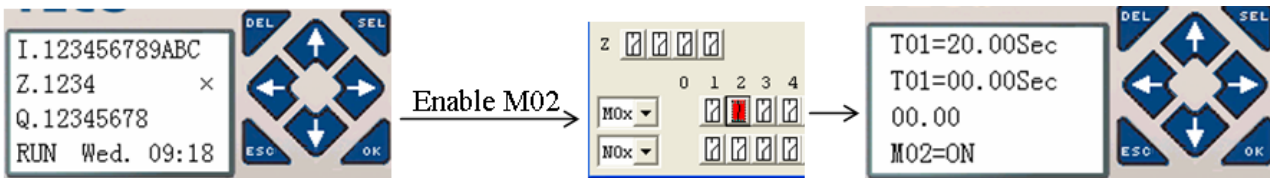
SEL	Under status 1 or 2, go into status 3. Under status 3, go into status 4. Under status 4, change function preset type.
↑ or ↓	Under status 1, find the nearest HMI whose mode is 1. Under status 2, find the nearest enabled HMI. Under status 3, move cursor up or down. Under status 4, change data and number, function preset data; change coil state
(SEL+↑ or ↓)	Under status 1, find the nearest HMI whose mode is 1. Under status 2, find the nearest enabled HMI. Under status 3, move cursor up or down.
← or →	Under status 3 or 4, move cursor left or right.
OK	Validate editing and store automatic.
ESC	Abrogate operation.

HMI status 1~4:

1. HMI scanning state, press SEL into HIM at IO interface



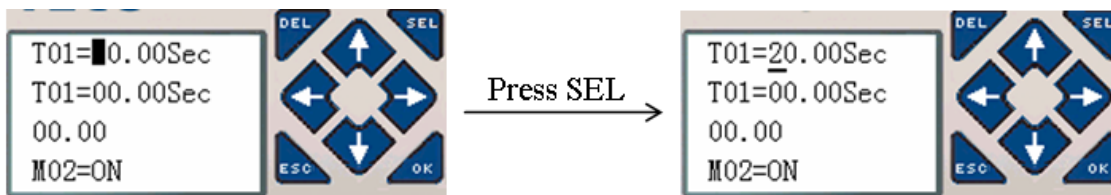
2. HMI running state, HMI is enabled at IO interface



3. HMI edit preparing state, press SEL when HMI is scanning or running state, flicker cursor will show if there is edited content.



4. HMI editing state, press SEL again under status 3.



PWM Output Instruction (DC Transistor Output Models Only)

The transistor output model, T type, includes the capability to provide a PWM (Pulse Width Modulation) output on terminal Q01 and Q02. The PWM instruction is able to output up to an 8-stage PWM waveform. It also provides a PLSY (Pulse output) output on terminal Q01, whose pulse number and frequency can be changed. The table below describes number and mode of PWM.

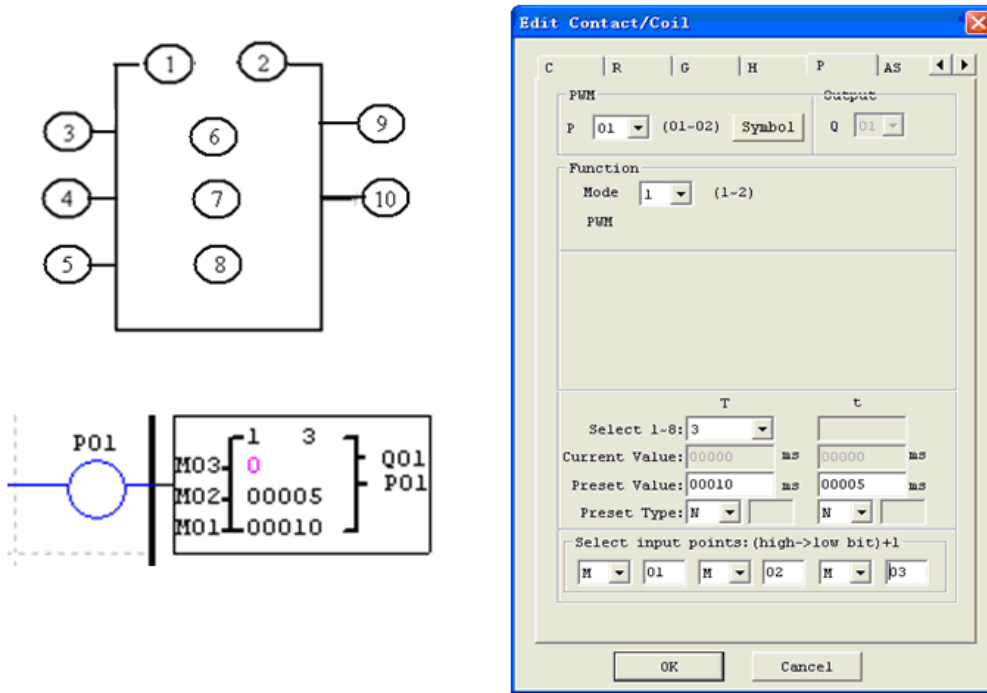
	Mode	Output
P01	PWM, PLSY	Q01
P02	PWM	Q02

PWM mode

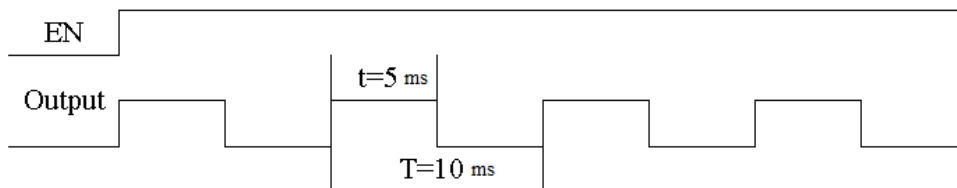
P01 and P02 both can work under this mode. Each PWM has 8 group preset stages which contents Width and Period. The 8 group preset values can be constant or other function current value. Each PWM has 10 parameters for proper configuration. The table below describes each configuration parameter, and lists each compatible memory type for configuring PWM.

Symbol	Description	Enable	Select3	Select2	Select1	stage	PWM Output
①	PWM mode (1)	OFF	X	X	X	0	OFF
②	present stages as operating (1~8)	ON	OFF	OFF	OFF	1	Preset stage 1
③	Select1 (I01~g1F)	ON	OFF	OFF	ON	2	Preset stage 2
④	Select2 (I01~g1F)	ON	OFF	ON	OFF	3	Preset stage 3
⑤	Select3 (I01~g1F)	ON	OFF	ON	ON	4	Preset stage 4
⑥	present stages as operating (1~8)	ON	ON	OFF	OFF	5	Preset stage 5
⑦	Width of preset stage ② (0~32767 ms)	ON	ON	OFF	ON	6	Preset stage 6
⑧	Period of preset stage ② (1~32767 ms)	ON	ON	ON	OFF	7	Preset stage 7
⑨	Output port (Q01~Q02)	ON	ON	ON	ON	8	Preset stage 8
⑩	PWM code (P01~P02)						

Example:



The state of M01, M02 and M03 are OFF-ON-OFF, so that PWM output pulse is at stage3 like this as setting above.



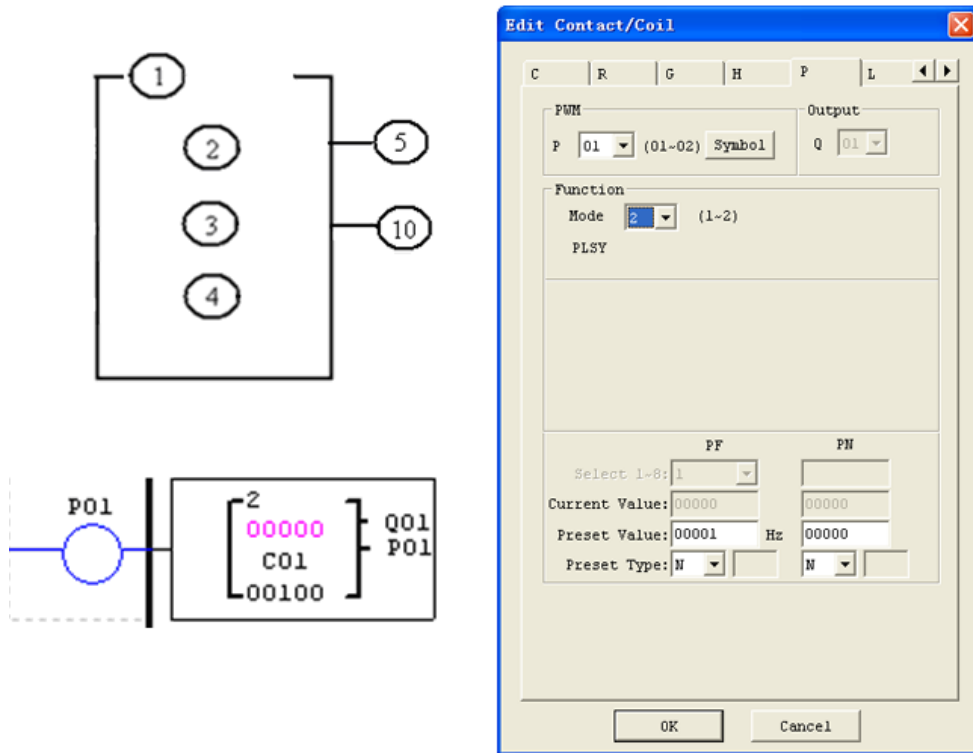
The state of M01, M02 and M03 decide the duty cycle and frequency of PWM output. PWM stages can be changed by the status of M01, M02 and M03 when P01 is running. ③ displays the number of pulse when P01 is running, but ③ equals 0 when P01 is disabled.

PLSY mode

Only P01 can work under this mode, and the output is Q01. PLSY has 6 parameters for proper configuration. The table below describes the information of PLSY parameters.

Symbol	Description
①	PLSY mode (2)
②	Total number of pulse (storing in DRC9)
③	Preset frequency of PLSY (1~1000Hz)
④	Preset pulse number of PLSY(0~32767)
⑤	Output port (Q01)
⑥	PWM code (P01)

Example:

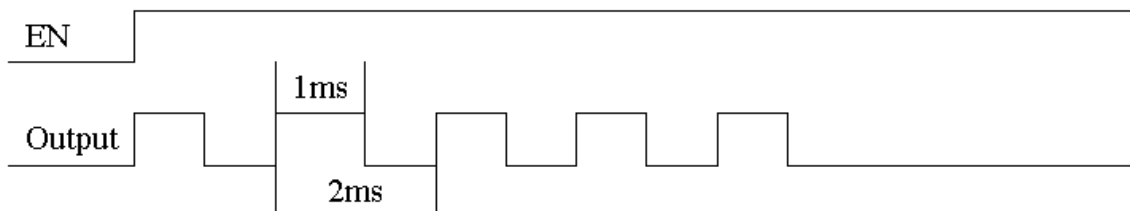


The preset frequency and pulse number could be constant or the current value of other function. They are variable if the preset are other data code. The PLSY will stop output if it has outputted the number of ④ pulse. PLSY will run again if it is enabled for a second time.

- ✘ In the example above, the frequency refers to data code (C01). So the wave's frequency will change following the current value of C01.
- ✘ In the example above, frequency is 1000 Hz if the current value of C01 is bigger than 1000 Hz.
- ✘ PLSY stops outputting pulse after it has output 100 pulses.
- ✘ PLSY dose not stop sending the pulse out as long as ④ equal to 0.

Example:

Parameter setting: ③ = 500Hz, ④ = 5, output as shown below:



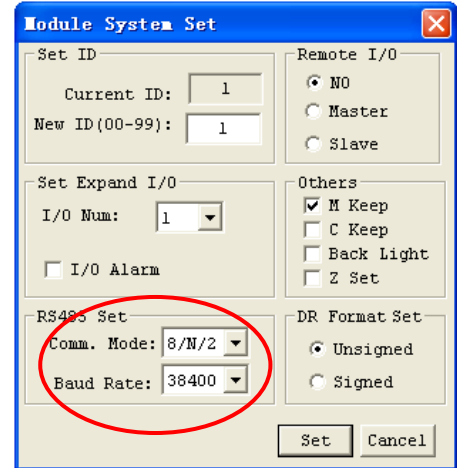
PLSY stops outputting when the number of output pulse is completed.

IO Link/Remote I/O Instruction (SG2-20Vxxx model only)

The SG2-20Vxxx models include the capability to link additional SG2-20Vxx units via the RS-485 connection terminals. The baud rate and communication format both can be set using the **Operation»Module System Set...** menu selection from the SG2 Client software. They also can be set through keypad like adjacent picture. The two bits of keypad how to decide the communication format and baud rate like describing below.



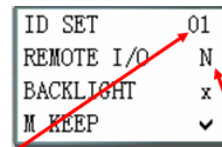
	Data	Meaning
High bit	0	8/N/2 Data 8bit, No Parity, 2 Stop bit.
	1	8/E/1 Data 8bit, Even Parity, 1 Stop bit.
	2	8/O/1 Data 8bit, Odd Parity, 1 Stop bit.
	3	8/N/1 Data 8bit, No Parity, 1 Stop bit.
Low bit	0	4800bps
	1	9600bps
	2	19200bps
	3	38400bps
	4	57600bps
	5	115200bps



IO Link

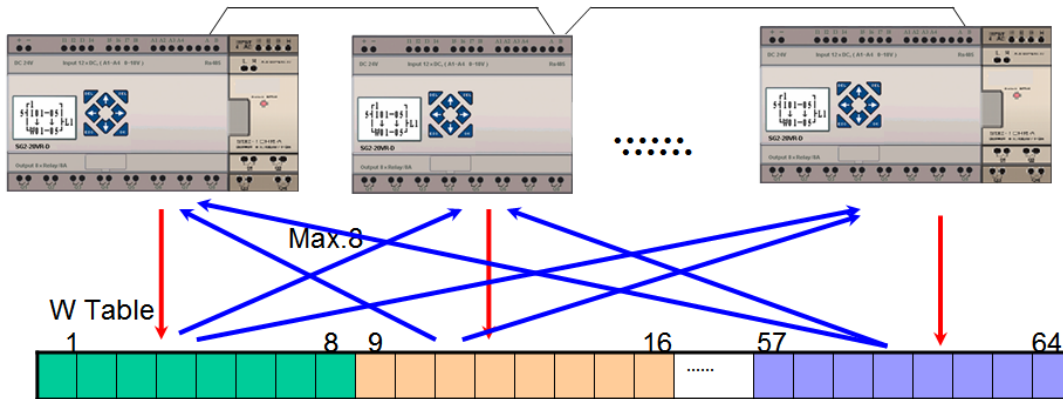
Up to 8 SG2 units can be linked together as the IO Link Network. Each unit runs their own logic program; the ON/OFF state of input, output points, and Auxiliary Coils in each one can be assigned to “W Table”, see the next page for more information. There must be one master (ID=00) and several slavers with the continuous ID number starting from 01 in the network. The master one does not perform the IO Link function to the units with the ID behind the first broken number once the ID numbers are not continuous. For example, the slavers’ ID are 01, 02, 04 and 05, the master just can recognize only two Slaver, ID 01 and 02, the ID 04 and 05 will be skipped.

- max. 8 points I/O send per stations
- Max 7*8 (=56) points I/O received per station



ID must set to be 0,1,2,...(max to 7)

Remote I/O disable



ID	Memory list location
0	W01~W08
1	W09~W16
2	W17~W24
3	W25~W32
4	W33~W40
5	W41~W48
6	W49~W56
7	W57~W64

※ One controller can use 8 IO Link (L01~L08). Only one IO Link instruction can work at Mode 1(Write mode),

Or sending terminal	I03	I04	I05	I06	I07	0	0	0
---------------------	-----	-----	-----	-----	-----	---	---	---

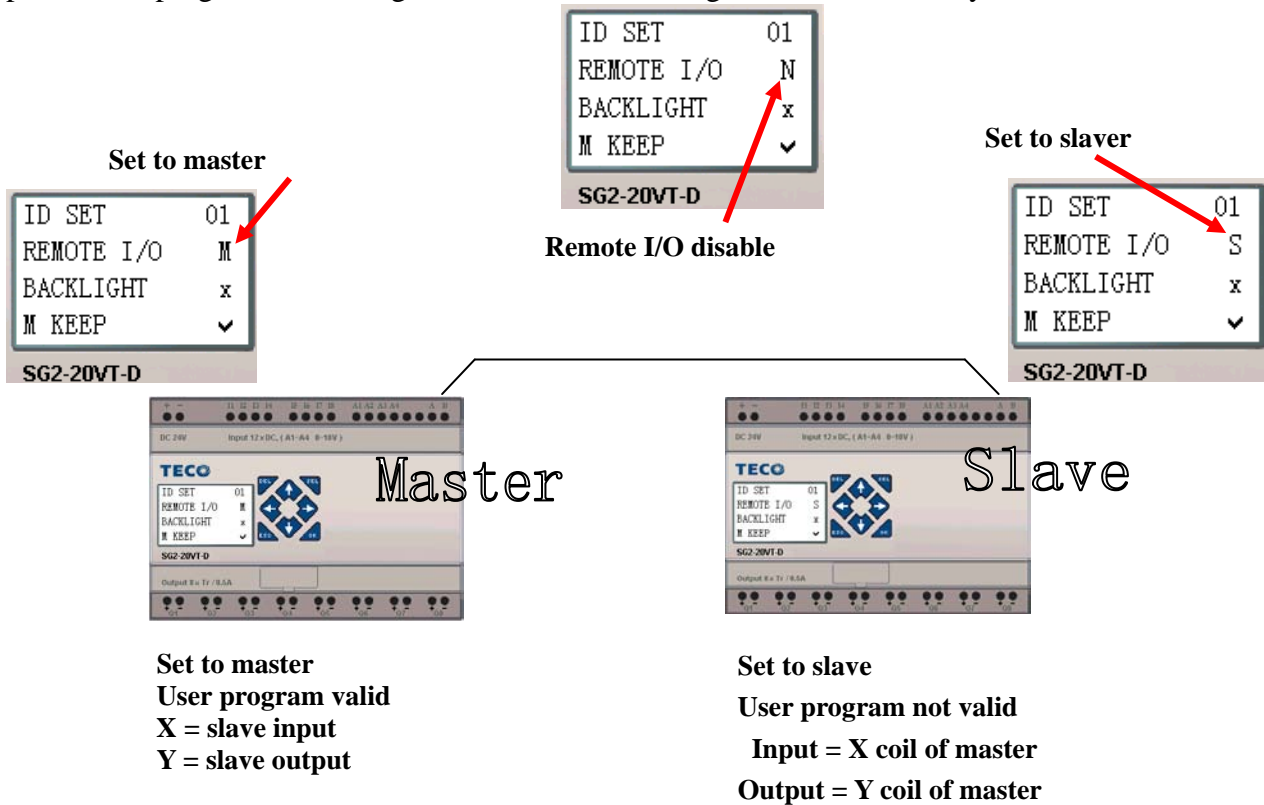
Example 2: IO Link Mode 2

Set ① = 2, ② = 5, ③ = M03~M07 and ④ = W17~W21; when enabling the IO Link, the ON/OFF state of M03~M07 is controlled by the W17~W21.

①=1, ② = 5, ③ = M03~M07, ④:W17~W21					
Memory List Position	W17	W18	W19	W20	W21
Corresponding receiving	↓	↓	↓	↓	↓
Or sending terminal	M03	M04	M05	M06	M07

Remote I/O

Remote IO function can make one SG2 as master link to another SG2 as slaver; the slaver can't perform its program. Below figures show how to configure the remote IO system.



Don't use expansion DI/DO modules, when remote I/O function is enabled.

MU (Modbus) (SG2-20Vxxx model only)

MU function performs Modbus RTU communication at RS485 port. There are 15 MU coils: MU01~MU0F.

Remote IO and IO Link have higher priority than MU to use RS485 port. MU is executed when the remote IO setting in the system is disabled (No Remote IO) and ID isn't 0.

ID SET	01
REMOTE I/O	N
BACKLIGHT	x
M KEEP	✓

There can be several MU commands executed at the same time, but only one command can be performed, the rest are postponed until the performed one is accomplished.

Function mode corresponding communication function code:

mode	Communication function code
1	03 (read registers)
2	06 (write single register)
3	10 (write multiple registers)
4	01 (read coils)
5	05 (write single coil)

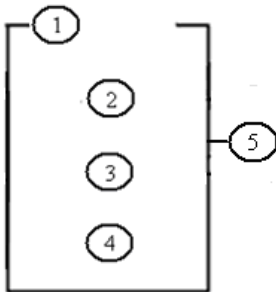
The coils used for MU function:

M3D: Received	M3D turns ON after received, then check-up for error. Transferring data to target address if there is no error.
M3E: Error flag	communication error flag
M3F: Time out flag	M3F turns ON when the master does not get any response from slaver within certain time. M3F will automatically reset if M3D reset.

The time of time out depends on the baud rate as shown in the below table.

Baud rate (bps)	Time out (ms)
4800、9600、19200、38400	125
57600	100
115200	80

There are 5 parameters in MU function as shown below.

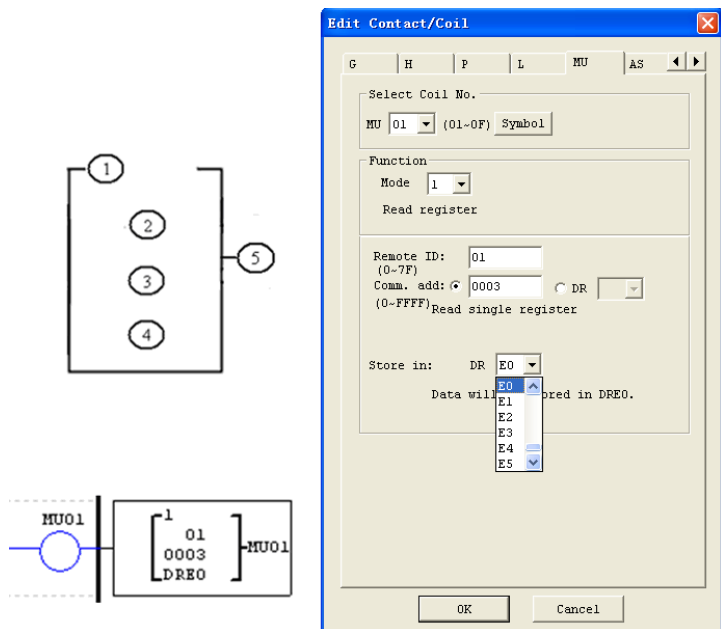


symbol	Description
①	MU mode (1~5)
②	ID number of the target unit: range from 0 to127
③	The address of target register in that unit: 1) address is assigned to a constant, range from 0000 to ffff; <ul style="list-style-type: none"> Just do the read/write function to the register with one data length/address in mode 1 and 3. Do the read/write function to the coil with one data length/address in mode 4 and 5. 2) The address refers to the content of DR coil, and the value of coil behind this one determines how many register or coil will be read or write, see the next five pages for more information.
④	DR code, store sending/receiving data from this DR
⑤	MU code (MU01~MU0F)

※ The max data length for Mode 1 and 3 is 25 words, it means 25 continuous addresses. The max data length for Mode 4 is 400bits.

MU mode1: Read Registers

Set parameter ③, address, to be constant: as show in below figure, the data length is fixed at 1 (it means read signal register only).



Address is a constant, 0003.

Data length is fixed at 1word, in other word, just one address.

The sending out Modbus command will be:

Received response form slaver:

01 03 02 data1-1 data1-2 CRC16;

Saving date to DRE0:

DRE0 = data1-1 + data1-2

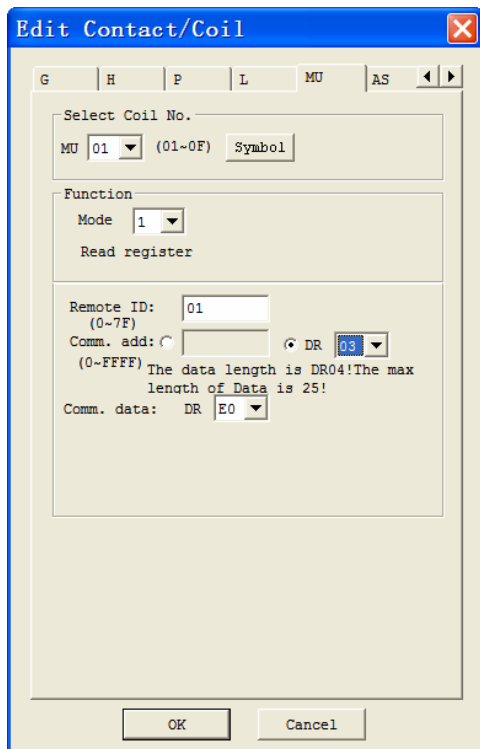
※ Note:

The completed data in a register is a 16 bits type. When using Modbus protocol, this 16 bits data is going to be divided into high 8 bits and low 8 bits. In above example:

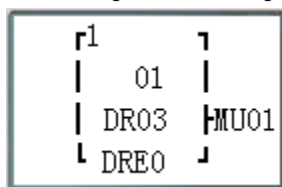
Data1-1 is the high 8 bits

Data1-2 is the low 8 bits

Setting parameter ③, address refers to the value of DR register:



Function parameter display:



Setting DR03=0001 for the address

Setting DR04=0002 for the data length

(means how many data will be read)

The sending out Modbus command will be:

01 03 00 01 00 02 CRC16;

Received response from slaver:

01 03 04 data1-1 data1-2 data2-1 data2-2 CRC16;

Saving data to DRE0~DRE1:

DRE0 = data1-1 + data1-2

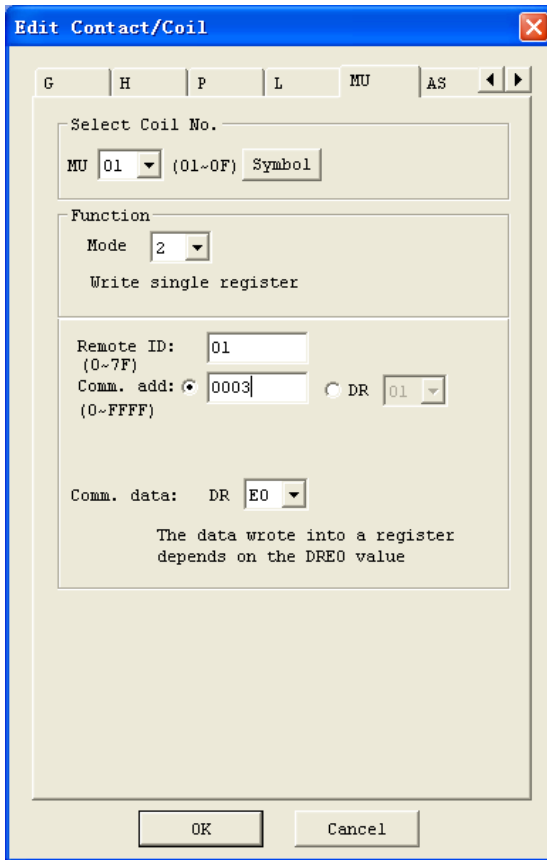
DRE1 = data2-1 + data2-2

※the max length of data is 25.

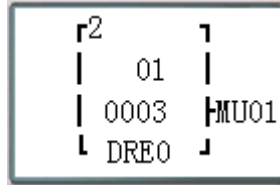
The above example shows how to read two data from two different (but continuous) registers/addresses. For more information, see the SG2 Modbus protocol manual.

MU mode2: Write single register

Set parameter ③, address, to be constant:



Function parameter display:



Set a constant address as 0003,

Set DRE0=1234 (hex: 04D2) as the content which would be written into other register.

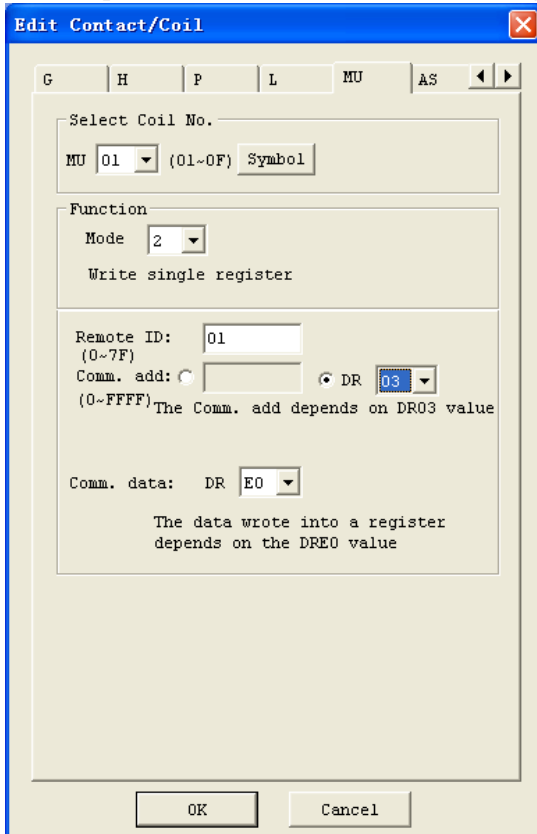
When enable the MU function, the sending out Modbus command will be

01 06 00 03 04 D2 CRC16;

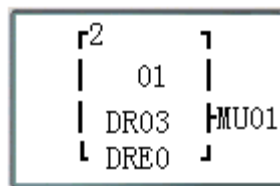
Received response from slaver:

01 06 00 03 04 D2 CRC16;

Set parameter ③, address refers to data register DR:



Function parameter display:



Set DR03=0001 for data address

Set DRE0=1234 (hex: 04D2) as the content which would be written into other register.,

When enable the MU function, the sending out Modbus command will be

01 06 00 01 04 D2 CRC16;

Received response from slaver:

01 06 00 01 04 D2 CRC16;

MU mode3: Write Multiple Registers

Set parameter ③, address, to be constant:

Edit Contact/Coil
 G H P L MU AS
 Select Coil No.
 MU 01 (01-0F) Symbol
 Function
 Mode 3
 Write multi-register
 Remote ID: 01 (0-7F)
 Comm. add: 0003 DR 03 (0-FFFF) Write single register
 Comm. data: DR E0
 The data wrote into a register depends on the DRE0 value
 OK Cancel

Function parameter display:

```

  3  1
  |  1 |
  | 01 |
  |0003| MU01
  | DRE0|
  
```

Set a constant address, 0003.

Data length is fixed at 1 word, means writing single register.

Set data DRE0=1234 (hex: 04D2) as the content which would be written into other register.

When enable the MU function, the sending out Modbus command will be

```
01 10 00 03 00 01 02 04 D2 CRC16;
```

Received response from slaver:

```
01 10 00 03 00 01 CRC16;
```

Set parameter ③, address, refer to data register DR:

Edit Contact/Coil
 G H P L MU AS
 Select Coil No.
 MU 01 (01-0F) Symbol
 Function
 Mode 3
 Write multi-register
 Remote ID: 01 (0-7F)
 Comm. add: DR 03 (0-FFFF) Starting add. depends on DR03 value. Amount of read register depends on DR04 value, max is 25
 Comm. data: DR E0
 The wrote data sequentially start from DRE0.
 OK Cancel

Function parameter display:

```

  3  1
  |  1 |
  | DR03| MU01
  | DRE0|
  
```

Set DR03=0001 for address

Set DR04=0002 for data length

(means how many data will be written)

Set data DRE0=1234 (hex: 04D2),

Set data DRE1=5678 (hex: 162E),

When enable the MU function, the sending out Modbus command will be:

```
01 10 00 01 00 02 04 04 D2 16 2E CRC16;
```

Received response from slaver:

```
01 10 00 01 00 02 CRC16
```

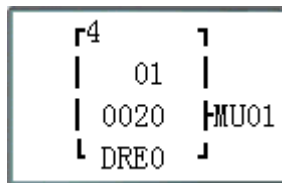
※ the max length of data is 25.

The above example shows how to write two data into two different (but continuous) registers/addresses. For more information, see the SG2 Modbus protocol manual.

MU mode4: Read Coils

Set parameter ③, address, to be constant:

Function parameter display:



Set a constant address 20 (here is a Hex number)

Data length is a constant value: 10 in Hex format

When enable the MU function, the sending out Modbus command will be:

01 01 00 20 00 10 CRC16;

Received response from slaver:

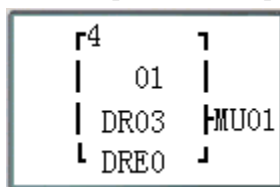
01 01 02 data1-1 data1-2 CRC16;

Saving data to DRE0:

DRE0 = data1-1 + data1-2

Set parameter ③, address, refer to data register DR:

Function parameter display:



Set DR03=0001 for address

Set DR04=0015 (hex: 000F) for data length;

(means how many coil's state will be read)

When enable the MU function, the sending out Modbus command will be:

01 01 00 01 00 0F CRC16;

Received response from slaver:

01 01 02 data1-1 data1-2 CRC16;

Saving data to DRE0:

DRE0 = data1-1 + data1-2

✘ the max length of data is 400.

MU mode5: Write single coil

Set parameter ③, address to be constant:

Function parameter display:

```

┌5      7
│      │
│  01  │
│ 0003 │MU01
└ DRE0 ┘

```

Set a constant address as 0003

Set DRE0=65280 (hex: FF00) as the content which would be written into other coil.

When enable the MU function, the sending out Modbus command will be:

01 05 00 03 FF 00 CRC16;

Received response from slaver:

01 05 00 03 FF 00 CRC16;

Setting parameter ③, address, refer to data register DR:

Function parameter display:

```

┌5      7
│      │
│  01  │
│ DR03 │MU01
└ DRE0 ┘

```

Set DR03=0001 for address

Set DRE0=65280 (hex: FF00)

When enable the MU function, the sending out Modbus command will be:

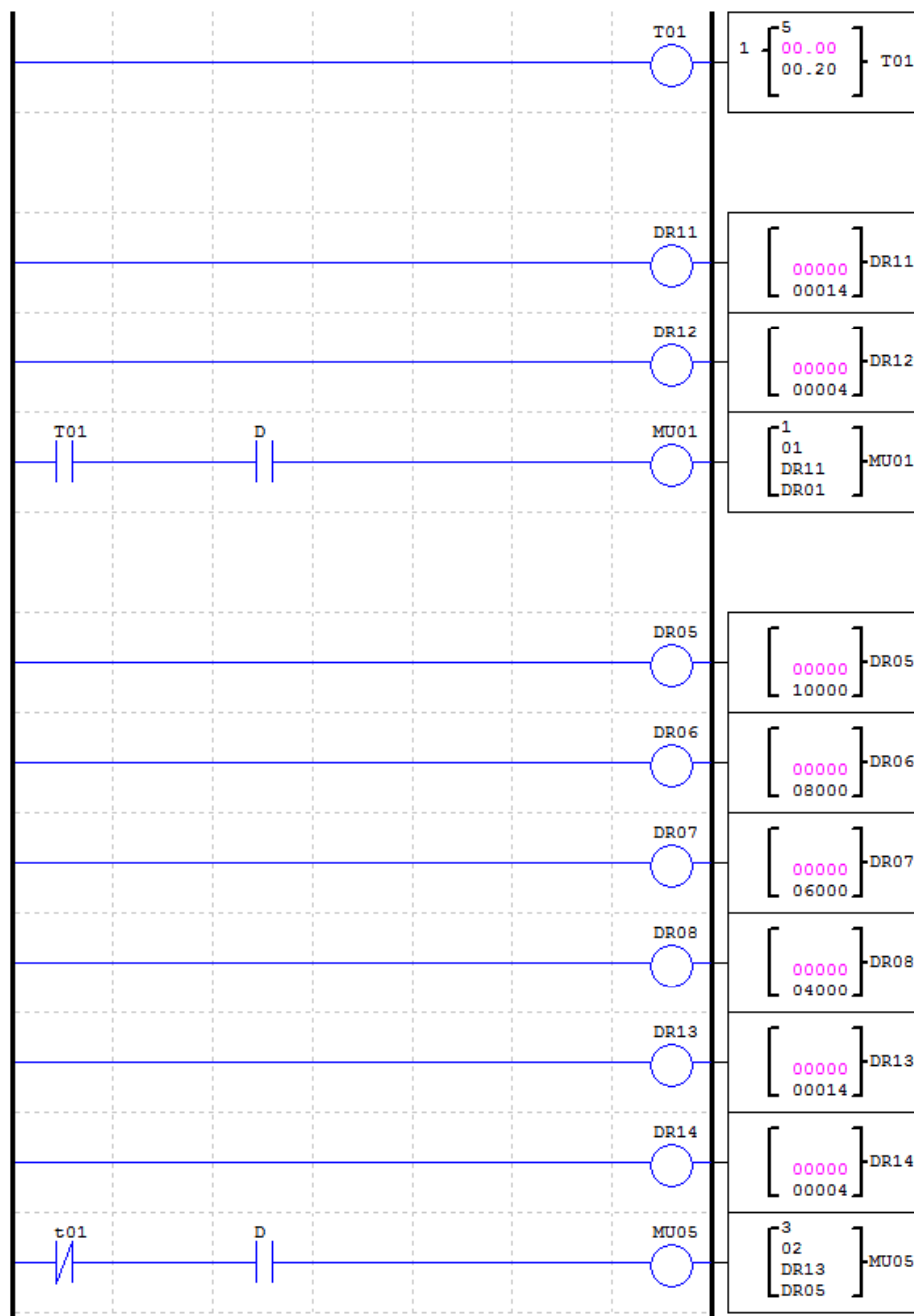
01 05 00 01 FF 00 CRC16;

Received response from slaver:

01 05 00 01 FF 00 CRC16;

Example:

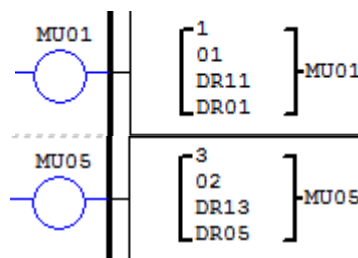
MU sending and receiving data via RS485 port when it's enabled. Here recommends user to put the D-trigger element in front of the MU coil.



MU01 and MU05 coils are controlled by T01 as shown in above figure. Set MU01 as mode1, read registers mode, address starts from DR11=14=0x0E, data length DR12=4, and saving data to the registers from DR01 to DR04.

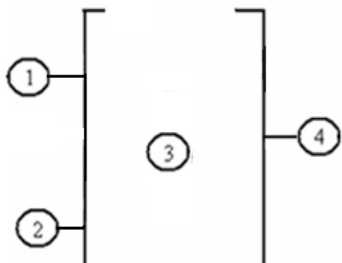
Setting MU05 as mode3, write multiple registers mode, address DR13=14=0x0E, data length DR14=4, and the data which want to write into target registers refer to the value of the register, from DR05 to DR08 (DR05=10000=0x2710, DR06=8000=0x1F40, DR07=6000=0x1770, DR08=4000=0x0FA0);

When T01 turns ON, MU01 is going to be triggered to send command 01 03 00 0E 00 04 CRC16, then saving the received data to DR01~DR04. After 0.2s T01 OFF, then trigger MU05 sending command 01 10 00 0E 00 04 08 27 10 1F 40 17 70 0F A0 CRC16, writing 4 sets data to the registers (0x0E~0x11) in the slaver.



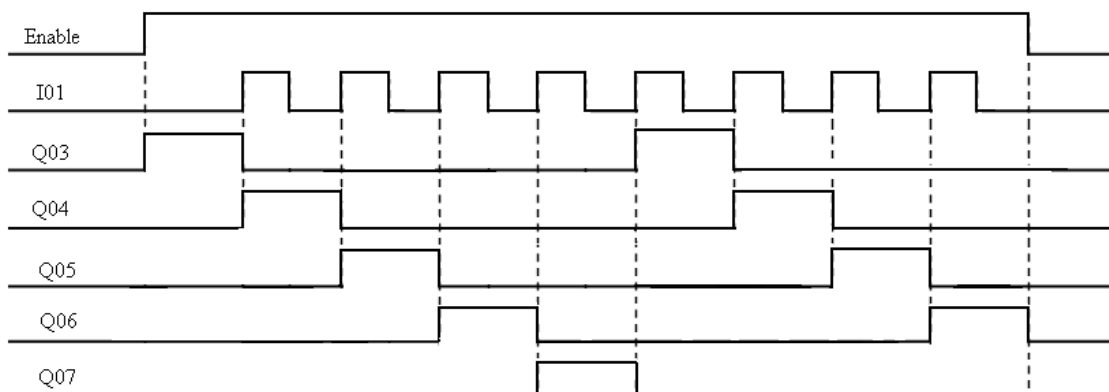
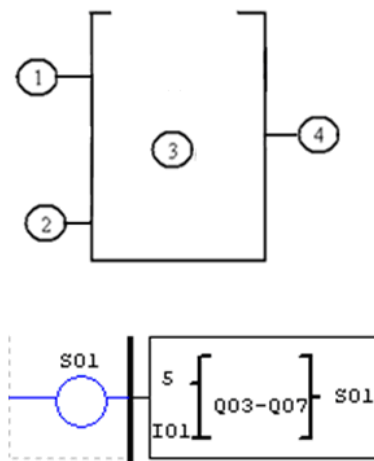
SHIFT (shift output)

The SG2 smart relay includes only one SHIFT coil that can be used throughout a program. This function switches a set of serial coils sequentially by trigger a certain input pulse coil. It has 4 parameters for proper configuration. The table below describes each configured parameter, and lists each compatible element for configuring SHIFT.



Symbol	Description
①	Preset number of output pulse (1~8)
②	SHIFT input coil (I01~g1F)
③	SHIFT output coils (Q, Y, M, N)
④	SHIFT code (S01)

In the example below, ① = 5, ② = I01, ③: Q03~Q07.



※ When shift function is enabled, the Q03 will auto-turn ON first, and the rest of the coils still retain the OFF state. The ON state shifts to Q4 once the input pulse coil was triggered, then Q03 turns OFF. When triggered signal happened again, the ON state shifts again from Q04 to Q05, and so on. See the above timing diagram for more information.

AQ (Analog Output)

The AQ instructions must be used with extension analog out module, 2AO. The default output signal of AQ is 0~10V, the AQ value and the corresponding 12 bits data value are in the range of 0~1000 and 0~4095. It also can be assigned to output 0~20mA, in current mode; the AQ value and the corresponding 12 bits data value are within the range of 0~500 and 0~2047. The 12bits data saved in DRD4~DRD7. The output mode of AQ is set by the current value of DRD0~DRD3

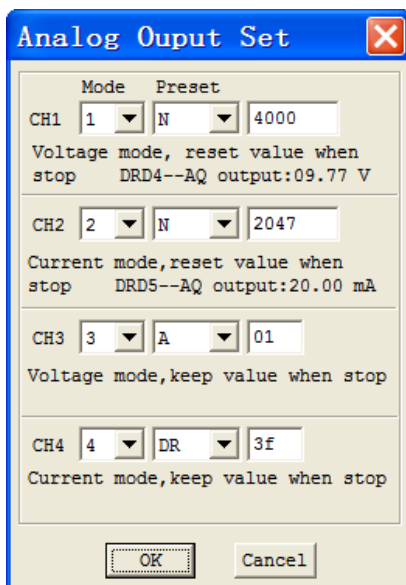
	Output register	Mode register
Channel 1: AQ01	DRD4	DRD0
Channel 2: AQ02	DRD5	DRD1
Channel 3: AQ03	DRD6	DRD2
Channel 4: AQ04	DRD7	DRD3

Mode	DRD0~DRD3 data definition
1	0: voltage mode and reset value when stop;
2	1: Current mode and reset value when stop;
3	2: voltage mode and keep value when stop;
4	3: Current mode and keep value when stop;

※ Analog output works in mode 1 if the value of the mode register, DRD0~DRD3, is larger than 3.

The appearance of AQ value on the HMI screen

The HMI on SG2 displays the code of selected coil when SG2 at STOP mode, and showing the current value at RUN mode, see the below figure to get more information.

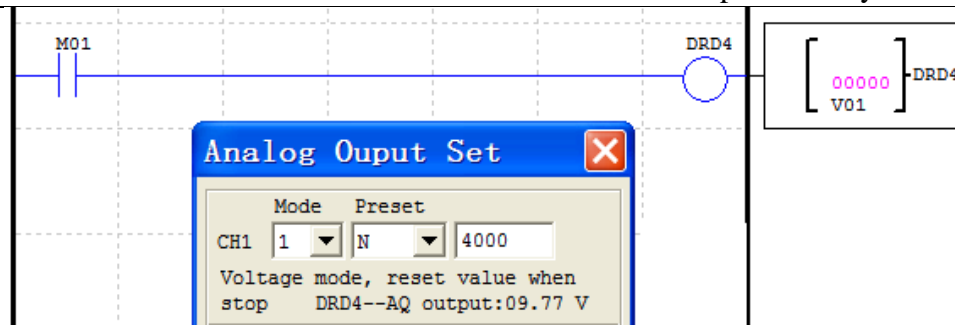


STOP display	RUN display
AQ01=09.77V	AQ01=09.77V
AQ02=20.00mA	AQ02=20.00mA
AQ03= A01 V	AQ03=02.10V
AQ04=DR3F mA	AQ04=00.00mA

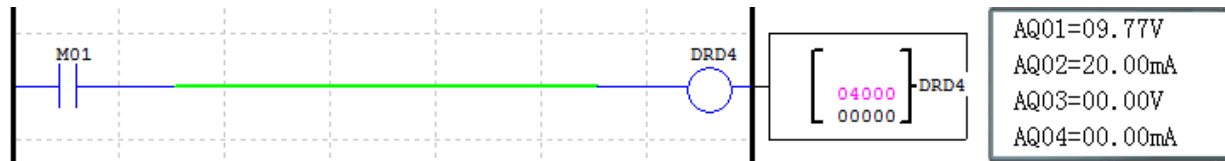
When AQ mode is in current mode, the relationship among the DR, AQ output and display value is shown as below:

DRD5=2047, AQ02=500, display: 20.00mA

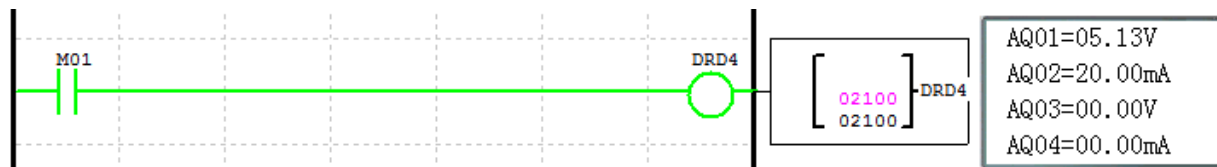
- ※ When the preset value in “Analog Output Set” screen is a constant, this value will be stored in DR register, (DRD4~DRD7) and the AQ value equals to (DRx/4.095). For example, CH1 is configured as mode 1, set a constant value, 4000, then the value of AQ01 will be 977, and HMI displays 9.77V.
 - ※ Once the preset value refers to other variable, its value is also stored in DR register, (DRD4~DRD7), but it will be equal to AQx * 4.095. (DRx=AQx*4.095).
 - ※ More information about expansion analog input to see: [Chapter 8 Expansion Module-Analog Module](#).
- Example 1: AQ01 preset value is a constant; the preset value of DRD4 refers to V01.



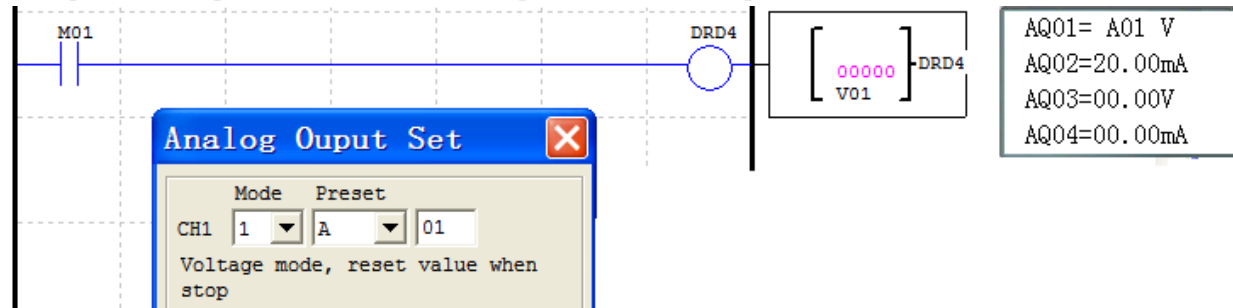
Run the program and don't conduct the M01 contact, DRD4 output value, now, equals to the constant preset value of AQ01, and AQ01 outputs 9.77V.



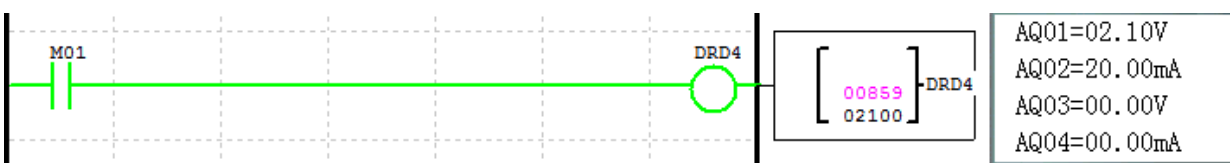
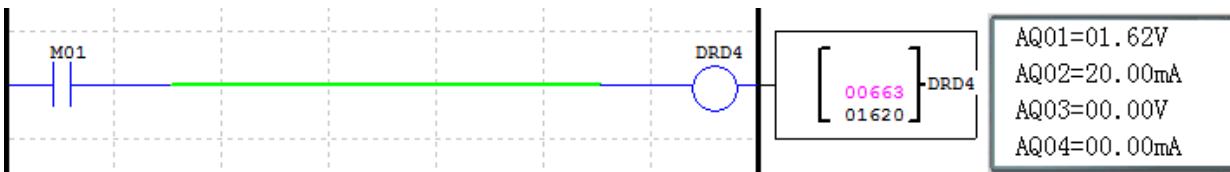
Then enable the M01, the DRD4 output value is depending on the value of V01, changing the value of V01 also influences the output value of AQ01 and DRD4.



Example 2: AQ01 preset value refers to other parameters, and the preset value of DRD4 refers to V01.

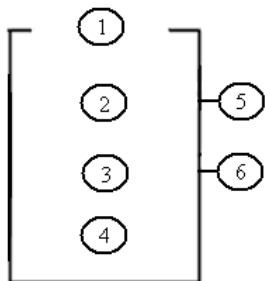


Run the program, the current/output value of DRD4 will not be affected by V01 even the M01 turns ON, it only depends on the A01 ($AQ01 * 4.095 = DRD4$).



AS (Add-Subtract)

The SG2 smart relay includes 31AS coils that can be used throughout a program. The AS function performs a simple integral-math-calculation: Addition and Subtraction. There are 6 parameters for proper configuration. The table below describes each configuration parameter, and lists each compatible element for configuring AS.

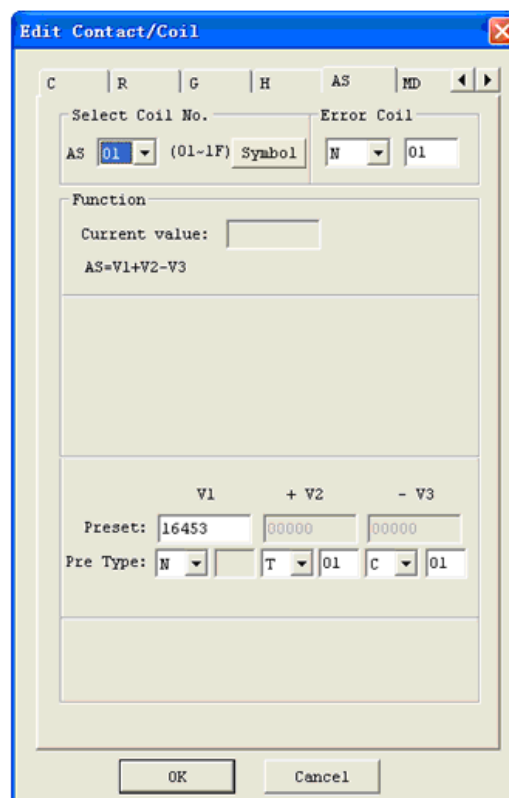
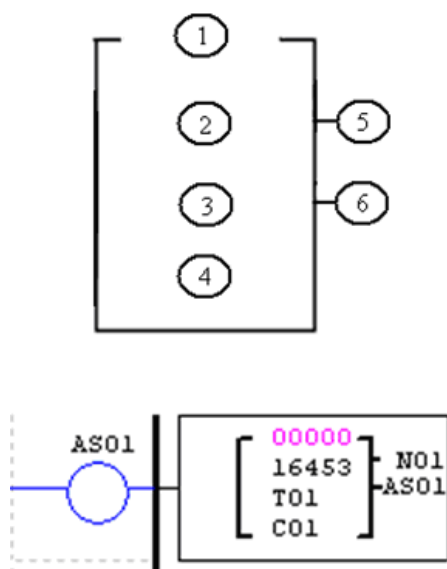


Symbol	Description
①	AS current value (-32768~32767)
②	V1 parameter (-32768~32767)
③	V2 parameter (-32768~32767)
④	V3 parameter (-32768~32767)
⑤	Error output coil (M, N, NOP)
⑥	AS code (AS01~AS1F)

Compute formula: $AS = V1 + V2 - V3$

AS current value is the calculated result. Parameters V1, V2, and V3 can be a constant or current value of other function. The “Error Coil” turns ON when the calculated result is overflowed, the current value keeps at 32767 or -32768, which depends on the direction of the overflow. But it will do nothing if the output coil is NOP. The output coil will turn OFF when the result is in the range or the function is disabled.

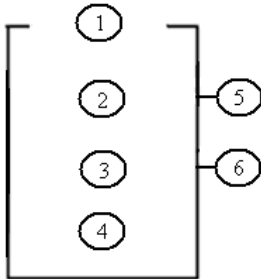
The example below shows how to configure AS function.



✘ Error output coil N01 will turn ON when the compute result is overflow.

MD (MUL-DIV)

The SG2 smart relay includes 31MD coils that can be used throughout a program. The MD function performs a simple integral-math-calculation, Multiplication and Division. There are 6 parameters for proper configuration. The table below describes each configuration parameter, and lists each compatible element for configuring MD.



Symbol	Description
①	MD current value (-32768~32767)
②	V1 parameter (-32768~32767)
③	V2 parameter (-32768~32767)
④	V3 parameter (-32768~32767)
⑤	Error output coil (M, N, NOP)
⑥	MD code (MD01~MD1F)

Compute formula: $MD = V1 * V2 / V3$

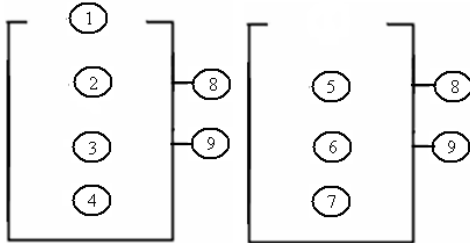
MD current value is the calculated result. Parameters V1, V2, and V3 can be a constant or other function current value. The “Error Coil” turns ON when the calculated result is overflowed or V3 equals to zero. The current value keeps at 32767 or -32768, which depends on the direction of the overflow, and keeps zero when V3 is zero. But it will do nothing if the output coil is NOP. The output coil will turns OFF when the result is in the range or the function is disabled.

The example below shows how to configure MD function.

✘ Error output coil M01 will turn ON when the compute result is overflow.

PID (Proportion- Integral- Differential)

The SG2 smart relay includes 15 PID coils that can be used throughout a program. The PID function performs a simple integral-math-calculation which is according to the equation as shown in below. There are 9 parameters for proper configuration. The table below describes each configuration parameter, and lists each compatible element for configuring PID.



Symbol	Description
①	PI: PID current value (-32768~32767)
②	SV: Set value (-32768~32767)
③	PV: Feedback value (-32768~32767)
④	T _S : Sampling time (1~32767 * 0.01s)
⑤	K _P : Proportional gain (1~32767 %)
⑥	T _I : Integration time (1~32767 * 0.1s)
⑦	T _D : Differential time (1~32767 * 0.01s)
⑧	Error output coil (M, N, NOP)
⑨	PID code (PI01~PI0F)

The parameters from ① to ⑦ can be a constant or refer to the current value of other function. The error coil will turn ON when either T_S or K_P equal to 0. But it will do nothing if the output coil is NOP. The output coil will turn OFF when the result is in the range or the function is disabled.

PID computes formula:

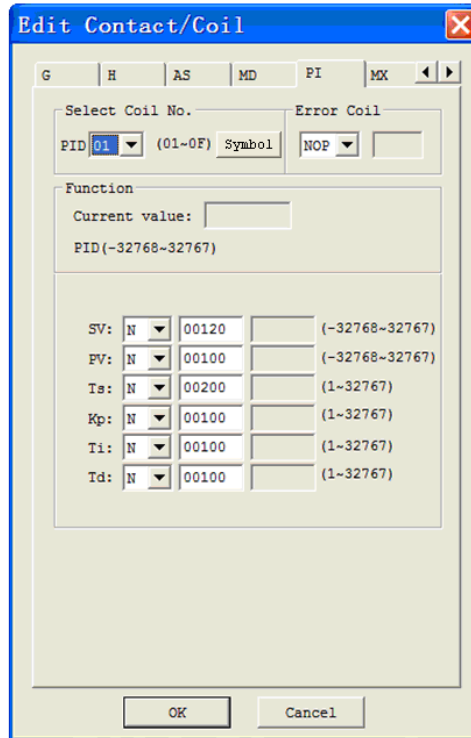
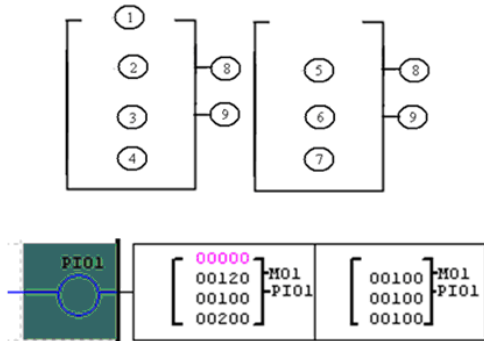
$$EV_n = SV - PV_n$$

$$\Delta PI = K_P \left\{ (EV_n - EV_{n-1}) + \frac{T_S}{T_I} EV_n + D_n \right\}$$

$$D_n = \frac{T_D}{T_S} (2PV_{n-1} - PV_n - PV_{n-2})$$

$$PI = \sum \Delta PI$$

The example below shows how to configure PID function.

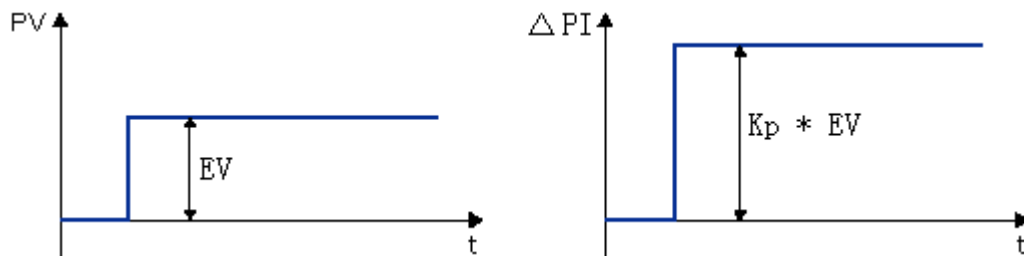
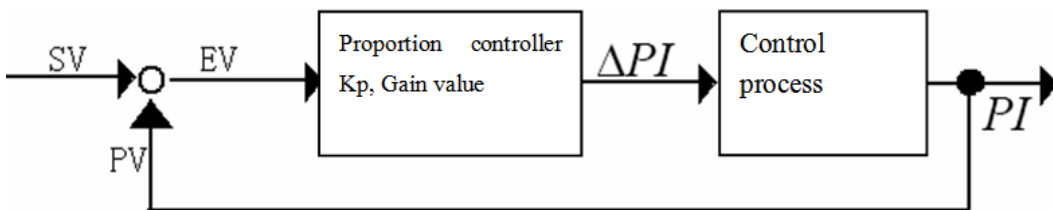


Three types of PID controller:

- Proportional loop (P);
- Integral loop (I);
- Differential loop (D);

(PID controller diagram)

Proportional controller

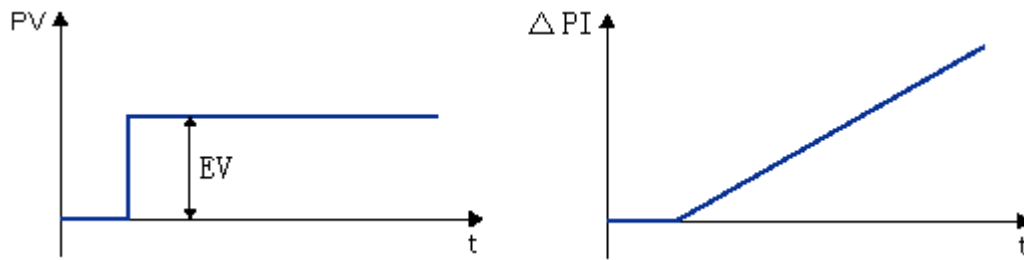


According to the difference (or error) EV between the target value and measuring value, this alters the adjustable value (or variables) ΔPI proportionally, then change the output (result) PI of the program control. Proportion controller can work promptly, but it can't make the difference to 0. The feature of the proportion controller: Correspond to the change (or variation) of the process value instantly.

Integral controller

For smooth and stabilize the system once the EV value and is change drastically, integral control can delay the react of the system and shrink control loop variation.

EV and time automatically adjust variable ΔPI .



Integral controller characteristic: reduce variation, delay reaction time.

Differential controller

System react is depends by PV value then convert to variable ΔPI and control the output result.

ΔPI will change depend on the value of PV. Process time is reduced via differential controller.

Differential control characteristic: reduce vibration, increase stability accelerate process time.

The features of PID control: fast, stable and accurate

Description of K_p , T_i , T_d as show below:

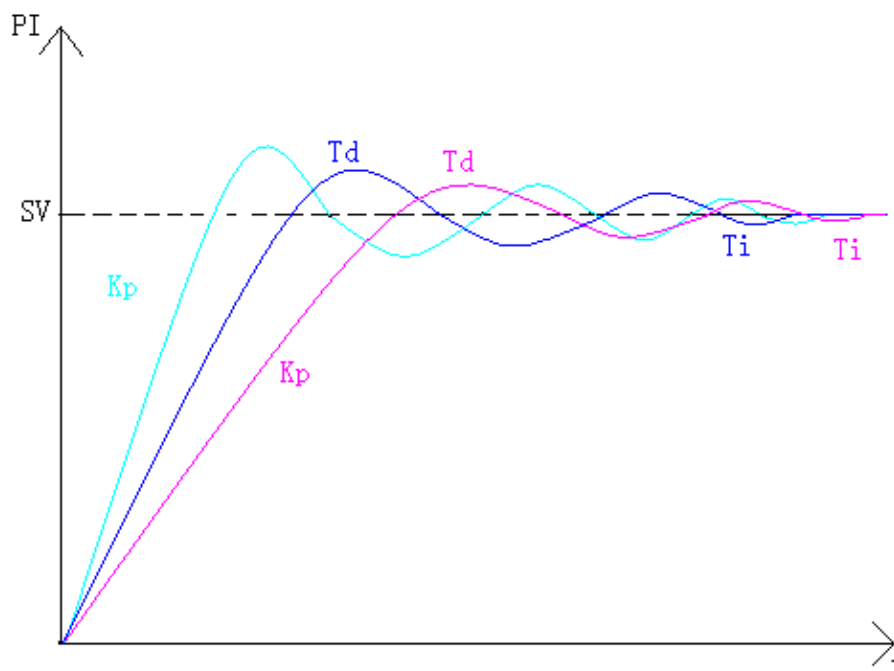
The PID function control variable K_p , T_i and T_d :

Increase K_p value to has a fast response time and reduce deviation quickly and the large K_p value will eventually affect the stability of the system or even unstable.

Once the variation is occurred and integral loop start to process, a small T_i setting value has a greater integral result and vice versa.

Differential control has a fast react feature, greater differential time T_d setting is able to increase the system response, and minimal the variation but the large differential time settings will un-stabilize the system easily. Although the large T_d setting value could reduce response time, user should setting differential time T_d value properly to prevent a system become a ultra sensitive controller.

Illustrate diagram for K_p , T_i , T_d variable setting value to SV



- 1, T_d and T_i setting value is large. K_p setting value is small.
- 2, T_d and T_i setting value is small.
- 3, K_p setting value is large.

A micro sampling time T_s setting, will consume lots of resource of controller and variation value won't have sufficient change, A huge sampling time T_s setting, expect stable system and a slow response.

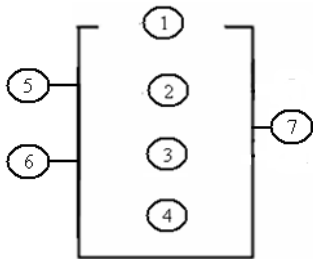
Variable reference chart:

Control type	Application field	K_P (%)	T_I (*0.1s)	T_D (*0.01s)	T_S (*0.01s)
Fast temperature variation	Small space and capacity	625	30	100	50
Slow Temperature variation	Large space and capacity	1250	120	800	100
Slow Pressure	Slow pressure variation	1500	5	400	100
Fast Pressure	Fast pressure variation	3750	2	1000	100

K_P , T_I , T_D is adjustable after observe the application field.

MX (Multiplexer)

The SG2 smart relay includes 15 MX coils that can be used throughout a program. This function set its current value to be 0 or one of 4 preset values which depends on the state of selection bit 1 and 2. There are 7 parameters for proper configuration. The table below describes each configuration parameter, and lists each compatible element for configuring MX.

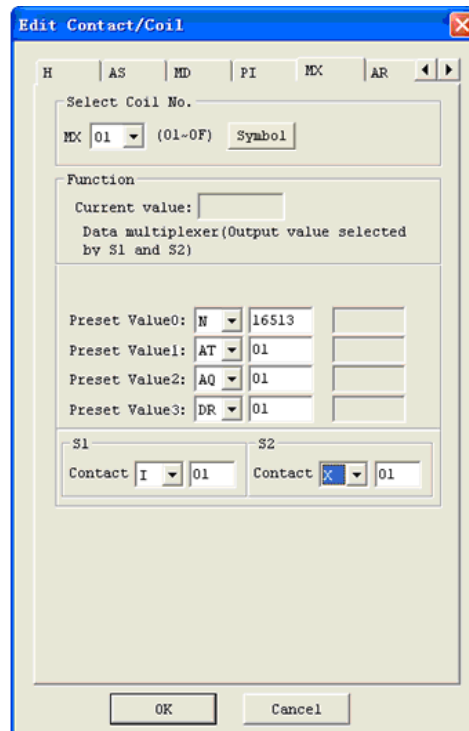
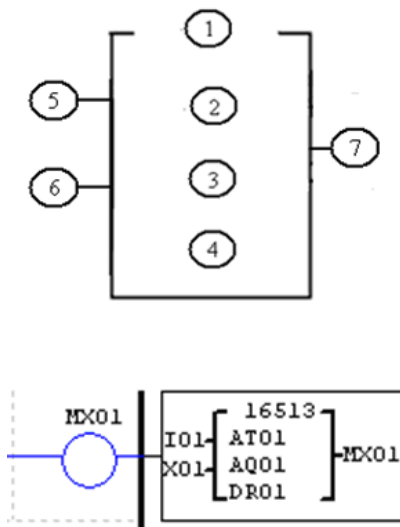


symbol	description
①	V0 parameter (-32768~32767)
②	V1 parameter (-32768~32767)
③	V2 parameter (-32768~32767)
④	V3 parameter (-32768~32767)
⑤	Selection bit 1: S1
⑥	Selection bit 2: S2
⑦	MX code (MX01~MX0F)

The parameters from ① to ④ can be constant or refer to the current value of other function. The table below describes the relationship between parameter and MX current value.

disable	MX = 0;
enable	S1=OFF, S2=OFF: MX = V0; S1=OFF, S2=ON: MX = V1; S1=ON, S2=OFF: MX = V2; S1=ON, S2=ON: MX = V3;

For example, assign S1 and S2 to refer to the I01 and X01, and V0=16513 (preset value 0), V1= AT01 (preset value 1), V2=AQ01 (present value 2) and V3=DR01 (preset value 3). When turns I01 ON and X01 OFF, then MX=AQ01; if I01 is at OFF and X01 is at ON state, the MX =AT01, and so on.

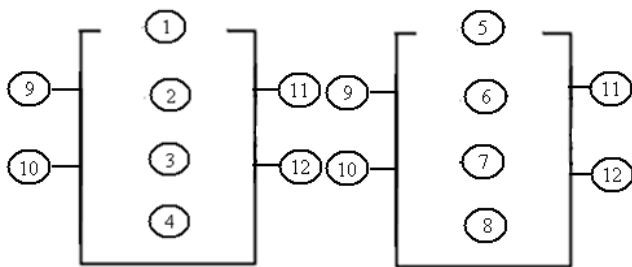


AR (Analog-Ramp)

The SG2 smart relay includes 15 AR coils that can be used throughout a program. Each AR coil has 2 modes.

AR mode 1

In mode1, AR current level is changed to either Level 1 or Level 2 according to the ON/OFF state of “Sel coil” at a specified rate. There are 12 parameters for proper configuration. The table below describes each configuration parameter, and lists each compatible element for configuring AR.



symbol	Description
①	AR current value: 0~32767
②	Level1:-10000~20000
③	Level2:-10000~20000
④	MaxL (max level):-10000~20000
⑤	Start/Stop level (StSp): 0~20000
⑥	stepping rate (rate): 1~10000
⑦	Proportion (A): 0~10.00
⑧	Offset (B): -10000~10000
⑨	Level selection coil (Sel)
⑩	Stop coil (St)
(11)	Error output coil (M, N, NOP)
(12)	AR code (AR01~AR0F)

$$AR_current_value = (AR_current_level - B) / A$$

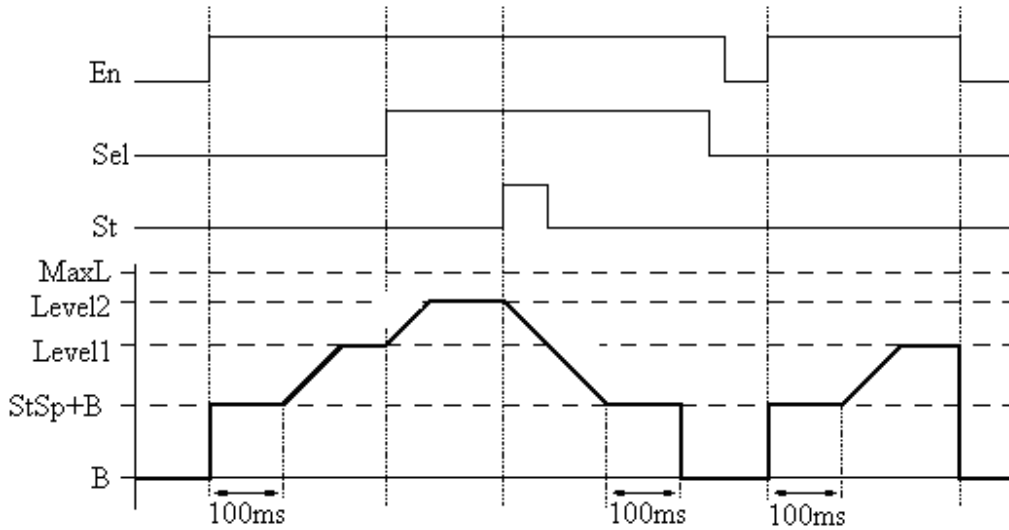
The parameters from ② to ⑧ can be constant or refer to the current value of other function. The table below describes detail information of each parameter of AR.

Sel	Selection level “Sel coil” is at OFF state: target level = Level1 “Sel coil” is at ON state: target level = Level2 ※ The AR current value just can reach the MaxL if the target level is over it.
St	Stop coil can start-up to decrease the current level to ⑤, start/stop level (StSp + Offset) once it turns on, and keeping this level for 100ms. Then AR current value goes to 0.
Error output coil	The Error coil turns ON when A is 0.

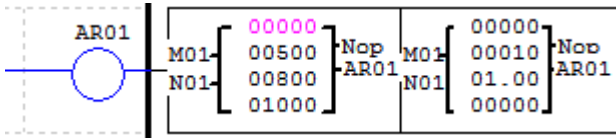
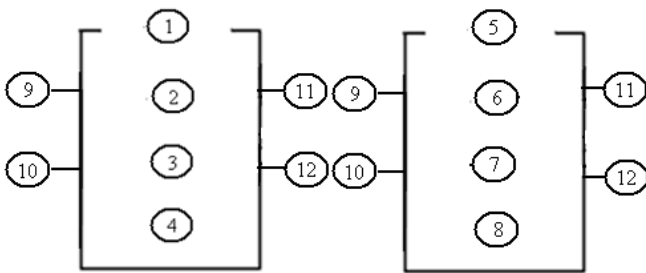
※ The Error output coil can be M, N or NOP. It will do nothing if select the NOP.

AR will keep the current level at “StSp + Offset "B"” for 100ms when it’s enabled. Then the current level raises from StSp + Offset "B" to target level according to the ⑥,Stepping Rate. If St turns ON, the current value decreases from current level to the level, StSp + B, in the stepping rate. Then AR stays at this level for 100ms. After 100ms, AR current level is going to 0, which means AR current value will equal to 0.

Timing diagram for AR



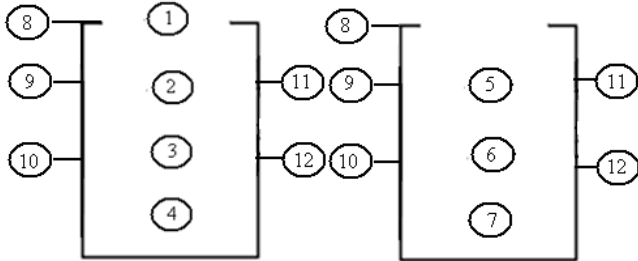
The example below shows how to configure AR function.



The screenshot shows the 'Edit Contact/Coil' dialog box for the AR function. The 'AS' tab is selected. The 'Select Coil No.' is set to AR 01. The 'Error Coil' is set to NOP. The 'Function' is set to Mode 1. The 'Current value' is set to 00000. The parameters are: Level1: 00500, Level2: 00800, MaxL: 01000, StSp: 00000, Rate: 00010, Gain: 01.00, Offset: 00000. The 'Sel' and 'St' contacts are both set to Contact N 01.

AR mode2

In mode 2, it supports four different preset levels, but only one of these 4 preset levels can be target level at one time. The current level will change to target level at a designed rate. There are 12 parameters for proper configuration. The table below describes each configuration parameter, and lists each compatible element for configuring AR mode2.



symbol	Description
①	AR current value:0~32767
②	Level0:0~32767
③	Level1:0~32767
④	Level2:0~32767
⑤	Level3:0~32767
⑥	MaxL(max level): 0~32767
⑦	Ta(acceleration time):0.1~3276.7
⑧	AR mode
⑨	Level selection coil(Sel1)
⑩	Level selection coil(Sel2)
(11)	Error output coil(M,N,NOP)
(12)	AR code(AR01~AR0F)

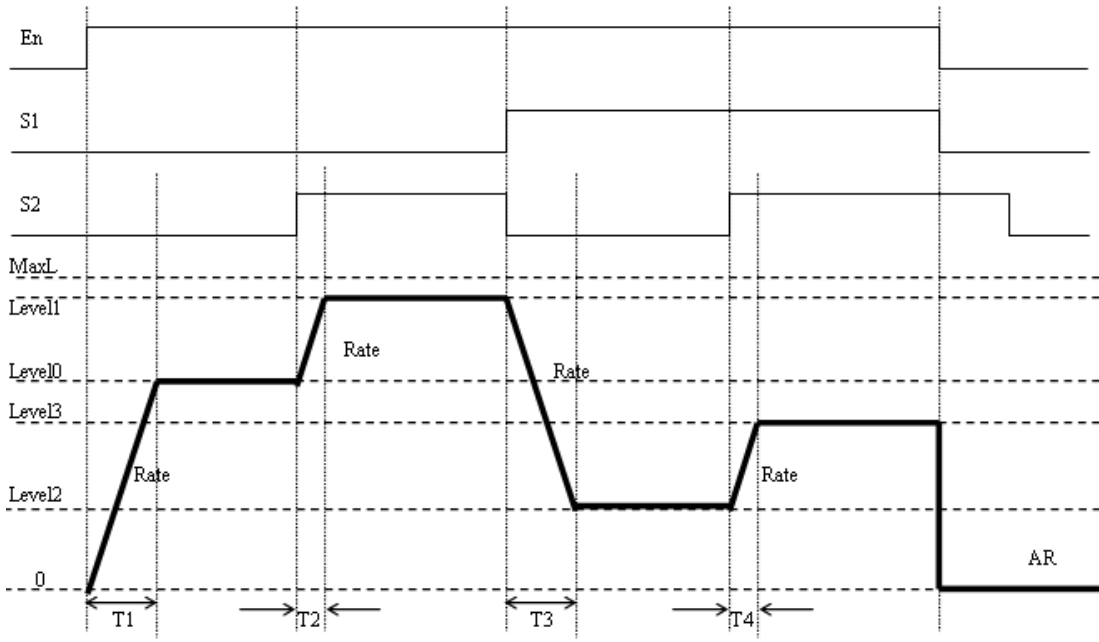
The parameters from ② to ⑦ can be constant or refer to the current value of other function. The rate designed by user: $Rate = \frac{MaxL}{Ta}$. The table below describes detail information of each parameter of AR mode2.

Sel1 Sel2	S1=OFF,S2=OFF: target level = Level 0; S1=OFF,S2=ON: target level = Level 1; S1=ON, S2=OFF: target level = Level 2; S1=ON, S2=ON: target level = Level 3;
MaxL	The AR current value just can reach the MaxL if the target level is over it.
Ta	The result of MaxL divided by Ta is the raising/lowering rate from current level to target level.
Error output coil	The error coil turns ON when Ta is 0.

✘The error output coil can be M,N or NOP, it will do nothing if it was selected as NOP.

AR current value will vary from one level to another lever according to the ON/OFF state of “Sel 1” and “Sel 2”, and the raising/lowering rate depends on Ta. When AR is disabled, current value goes to 0 immediately. For detail, you can see the “Timing diagram” show next page.

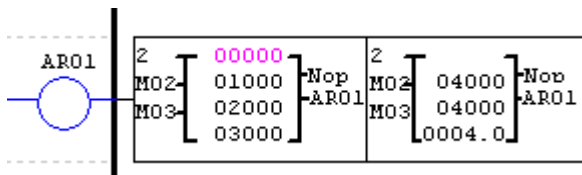
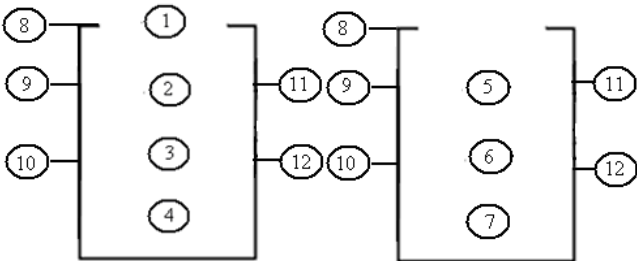
Timing diagram for AR



$$\text{Rate} = \text{MaxL}/\text{Ta}; \quad T1 = \text{Level0} * \text{Ta} / \text{MaxL}; \quad T2 = (\text{Level1} - \text{Level0}) * \text{Ta} / \text{MaxL};$$

$$T3 = (\text{Level1} - \text{Level2}) * \text{Ta} / \text{MaxL}; \quad T4 = (\text{Level3} - \text{Level2}) * \text{Ta} / \text{MaxL};$$

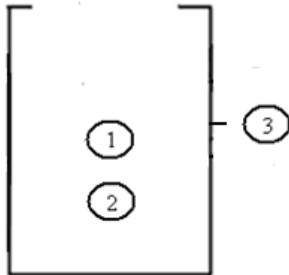
The example below shows how to configure AR function.



The 'Edit Contact/Coil' dialog box is shown. It has tabs for AS, MD, PI, MX, AR, and DR. The AR tab is selected. The 'Select Coil No.' is set to AR 01. The 'Error Coil' is set to NOP. The 'Function' mode is set to 2. The 'Multi-speed Output' is checked. The 'Current value' is set to 0. The 'Level0' is set to 01000, 'Level1' to 02000, 'Level2' to 03000, 'Level3' to 04000, and 'MaxL' to 04000. The 'Ta' is set to 0004.0. The 'Sel1' contact is set to N 02 and the 'Sel2' contact is set to N 03. The 'OK' and 'Cancel' buttons are at the bottom.

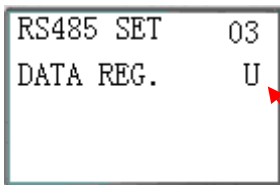
DR (Data register)

The SG2 smart relay includes 240 DR coils that can be used throughout a program. The DR function plays a important role in data-transmission. Its current value equals to preset value once it's enabled. The data can be signed or unsigned by **Operation>>module system set...** menu selection from the SG2 Client software **or keypad set**. There are 3 parameters for proper configuration. The table below describes each configuration parameter, and lists each compatible element for configuring DR.

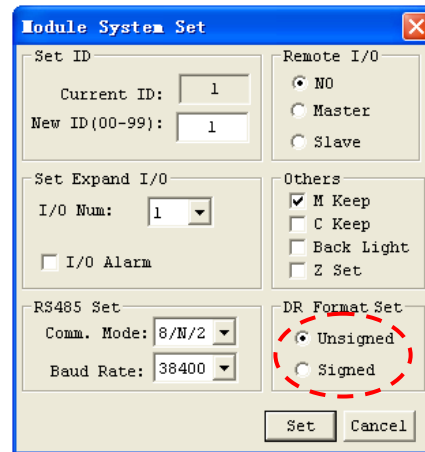


symbol	Description	
①	Current value	Unsigned: 0~65535
②	Preset value	Signed: -32768~32767
③	DR code (DR01~DRF0)	

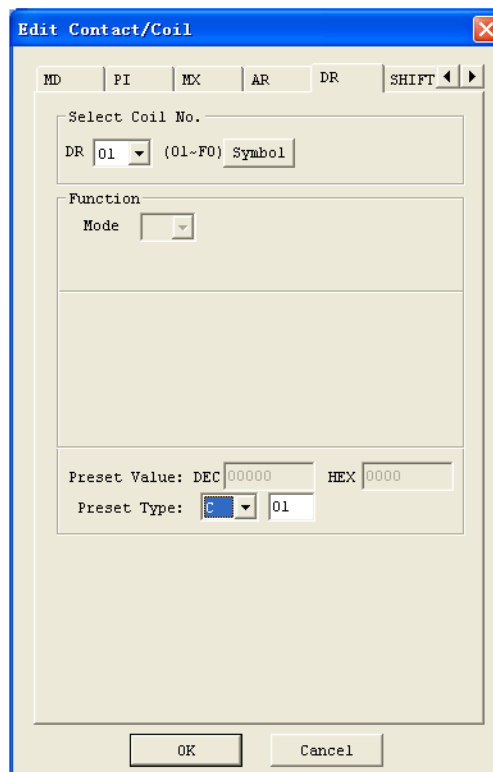
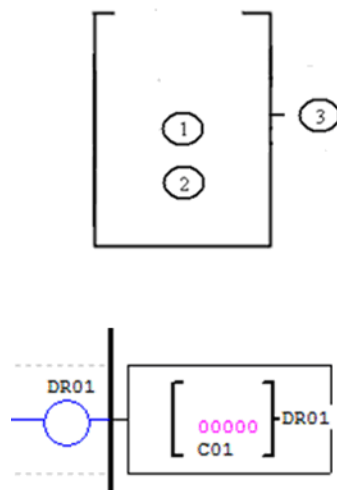
The parameter ① can be a constant or refer to the current value of other function.



U: unsigned data
S: signed data



The example below shows that the preset value refers to C01, when DR01 is conducted, the current value of DR01 will be the current value of C01.



Data register screen on HMI display DR preset value in stop mode and display DR current value in run mode.

STOP	RUN (DR01 = C01 current value)
DR01= C01 DR02= 00000 DR03= 00000 DR04= 00000	DR01= 00009 DR02= 00000 DR03= 00000 DR04= 00000

DR65~DRF0 can retain the current value when SG2 is stopped or powered down.

The last 40 DR registers that from DRC9 to DRF0 are special data register as shown below.

DRD0 ~ DRE3 as special registers used to set parameters, the output value function is as follows:

No.	Function description	
DRD0	AQ01 output mode	0, voltage mode and reset value when stop; 1, current mode and reset value when stop; 2, voltage mode and keep value when stop; 3, current mode and keep value when stop;
DRD1	AQ02 output mode	
DRD2	AQ03 output mode	
DRD3	AQ04 output mode	
DRD4	AQ01 output value	Analog output value 0~4095;
DRD5	AQ02 output value	
DRD6	AQ03 output value	
DRD7	AQ04 output value	
DRD8	I/O interface hidden	Refer to " Chapter3:LCD Display and Keypad > Original screen "
DRD9~DRE3	Reserved;	

DRC9~DRCF and DRE4~DRF0 as special registers used to store status, the output current value function is as follows:

No.	Function description	
DRC9	Output pulse number of instruction PLSY	
DRCA	AT01 current degree Fahrenheit	Used as normal registers when no AT01~AT04 input, such as don't connected with extension module 4PT;
DRCB	AT02 current degree Fahrenheit	
DRCC	AT03 current degree Fahrenheit	
DRCD	AT04 current degree Fahrenheit	
DRCE	Reserved	
DRCF	Reserved	
DRE4	A05 input electric current 0~2000	Used as normal registers when no A05~A08 analog input, such as don't connected with extension module 4AI;
DRE5	A06 input electric current 0~2000	
DRE6	A07 input electric current 0~2000	
DRE7	A08 input electric current 0~2000	
DRE8	A01 current value 0~4095	Used as normal registers when no A01 and A02 analog input, such as AC type;
DRE9	A02 current value 0~4095	
DREA	A03 current value 0~4095	Used as normal registers when no A03 and A04 analog input, such as AC type or 12points DC type;
DREB	A04 current value 0~4095	
DREC	A05 current value 0~4095	Used as normal registers when no A05~A08 analog input, such as don't connected with extension module 4AI.
DRED	A06 current value 0~4095	
DREE	A07 current value 0~4095	
DREF	A08 current value 0~4095	
DRF0	Reserved	

Chapter 6: FBD Block Diagram Programming

FBD Instructions.....	133
FBD system memory space.....	134
Analog.....	136
Analog Input	136
Analog Output.....	137
Coil Block Instruction.....	138
HMI.....	139
PWM function block (only transistor output version).....	140
IO Link function block.....	142
SHIFT function block	144
Logic Block Instructions.....	145
AND Logic Diagram.....	145
AND (EDGE) Logic Diagram	145
NAND Logic Diagram.....	146
NAND (EDGE) Logic Diagram.....	146
OR Logic Diagram.....	146
NOR Logic Diagram.....	147
XOR Logic Diagram.....	147
SR Logic Diagram	147
NOT Logic Diagram	147
Pulse Logic Diagram.....	148
BOOLEAN Logic Diagram	148
Function Block.....	149
Timer Function Block	150
Common Counter function block.....	158
High Speed Counter Function Block (DC Version Only)	164
RTC Comparator Function Block	166
Analog Comparator Function Block	171
AS (ADD-SUB) function block	174
MD (MUL-DIV) function block	175
PID (Proportion- Integral- Differential) function block.....	176
MX (Multiplexer) function block.....	177
AR (Analog-Ramp) function block.....	178
Example:	181
DR (Data-Register) function block	182
MU (Modbus) function block	183

FBD Instructions

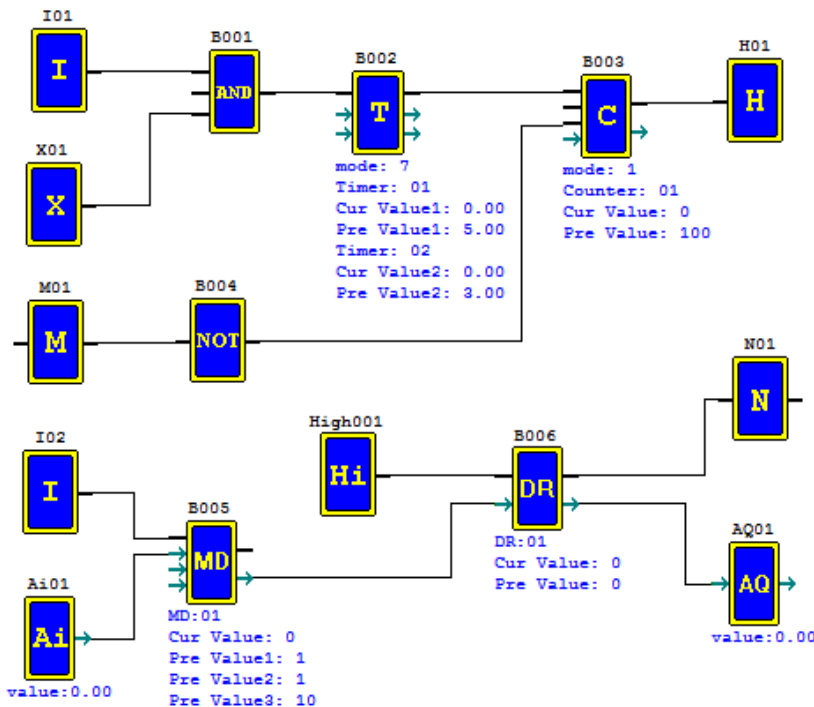
	Input	Output coil	Range
Input	I		12 (I01~I0C)
Keypad input	Z		4 (Z01~Z04)
Expansion input	X		12 (X01~X0C)
Output	Q	Q	8 (Q01~Q08)
Expansion output	Y	Y	12 (Y01~Y0C)
Auxiliary coil	M	M	63(M01~M3F)
Auxiliary coil	N	N	63(N01~N3F)
HMI		H	31 (H01~H1F)
PWM		P	2 (P01~P02)
SHIFT		S	1 (S01)
I/O LINK		L	8 (L01~L08)
Logic/Function Block	B	B	260 (B001~B260)
Normal ON	Hi		
Normal OFF	Lo		
No connection	Nop		
Analog input	A		8 (A01~A08)
Analog input parameter	V		8 (V01~V08)
Analog output		AQ	4(AQ01~AQ04)
Analog temperature input	AT		4(AT01~AT04)

FBD program can only be edited and modified in the SG2 Client software and write to SG2 controlled equipments via communication cable. Via controlled equipment, FBD program is available for querying or the parameter of the function block of the program for modifying. The preset value of Block could be a constant or other block code. That means the preset value of this block is other block's current value.

※ Logic Block include: AND, AND EDGE, NAND, NAND EDGE, OR, NOR, XOR, NOT, RS, PULSE, BOOLEAN. Each logic block occupied a BLOCK; the available number is limited by the number of B and system memory space. Logic function blocks source show as blow table:

Logic	Block number	System memory (byte)
AND	1	8
AND(EDGE)	1	8
NAND	1	8
NAND(EDGE)	1	8
OR	1	8
NOR	1	8
XOR	1	6
RS	1	6
NOT	1	4
PULSE	1	4
BOOLEAN	1	12

Example: calculating resources



Input coils: I01, X01, M01, I02;
 Output coils: H01, N01;
 Normal ON: Hi001;
 Analog input: A01;
 Analog output: AQ01;
 Logic and function block: B001~B006.
 Coil input/output and analog input/output don't occupied B number and memory space.

Number	Function / Logic	Memory bytes	Function number
B001	AND	8	
B002	Timer mode 7	12	T01, T02
B003	Counter mode 1	14	C01
B004	NOT	4	
B005	MD	11	MD01
B006	DR register	6	DR01

	B number	Memory bytes	
Memory space limits in SG2	260	2600	
Resource used by program	6	55	
Still available in SG2	254	2545	

Analog

Analog include:

Analog input	A01~A04
Expansion analog input	A05~A08
Analog input count value	V01~V08
Expansion temperature input	AT01~AT04
Expansion analog output	AQ01~AQ04

Analog input and output value can be used as preset value of other function blocks.

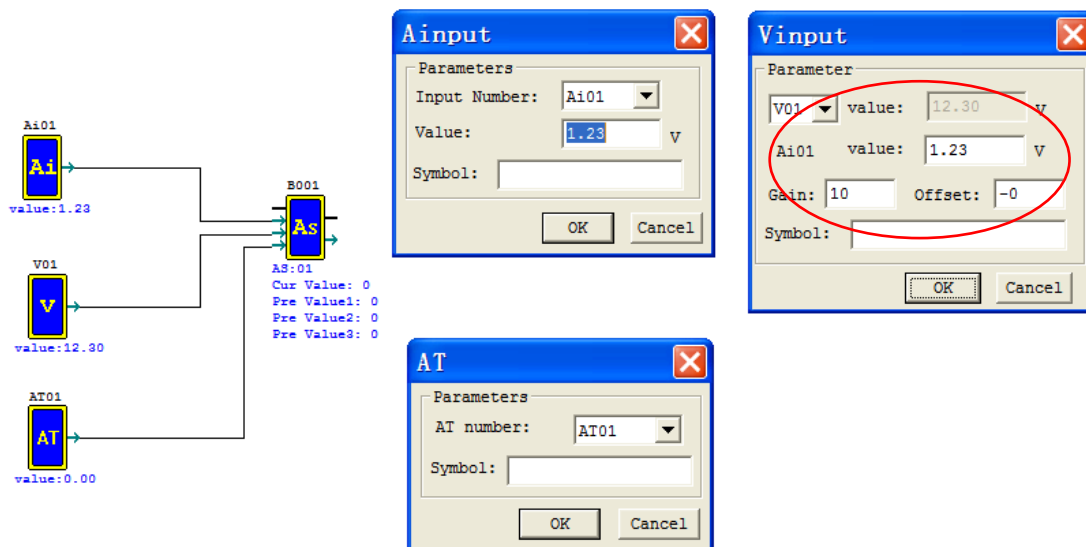
Analog Input

	Number	Range	Meaning
Analog input value	A01~A04	0~999	0~9.99V
Expansion analog input value	A05~A08	0~999	0~9.99V
Analog input count value	V01~V08	0~999999	
Expansion temperature input value	AT01~AT04	-1000~6000	-100.0~600.0°C

$$V0x = A0x * Gain + OffSet$$

Example: $A01=1.23$, $V01=A01*10-0=12.30$;

$B001(AS01)=A01+V01-AT01$;



More information about expansion analog input to see: [Chapter 8 Expansion Module-Analog Module](#).

Analog Output

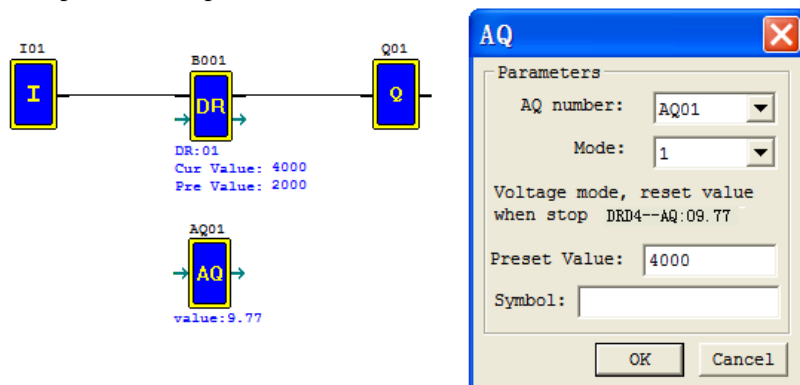
AQ instructions need to use with extension analog out module 2AO.

The default output of AQ is 0~10V voltage, the 12bits data is 0~4095 and the corresponding value of AQ is 0~1000. It also can be set as 0~20mA current output, the 12bits data is 0~2047 and the corresponding value of AQ is 0~500. The 12bits data saved in DRD4~DRD4. The output mode of AQ is set by the current value of DRD0~DRD3.

	Output register	Mode register	Mode	DRD0~DRD3 data definition
Channel 1: AQ01	DRD4	DRD0	1	0: voltage mode and reset value when stop;
Channel 2: AQ02	DRD5	DRD1	2	1: Current mode and reset value when stop;
Channel 3: AQ03	DRD6	DRD2	3	2: voltage mode and keep value when stop;
Channel 4: AQ04	DRD7	DRD3	4	3: Current mode and keep value when stop;

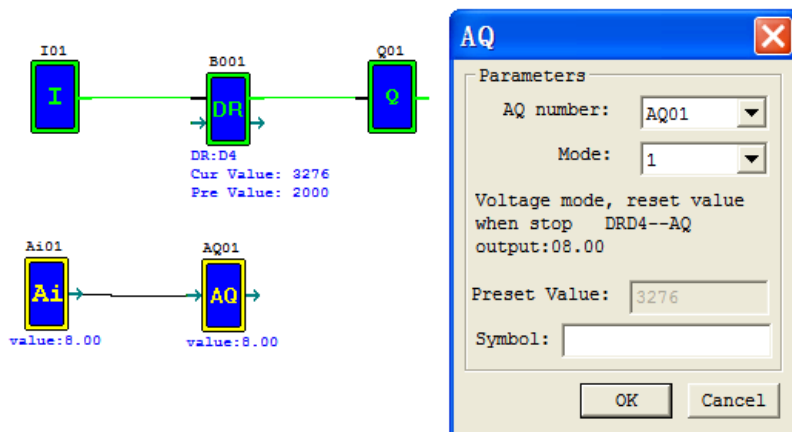
- ✘ It will be thought as 0 if the value of DR isn't in the range of 0~3. That means the output mode of AQ is mode 1.
- ✘ When output value type of AQ is set to constant, AQ output value changed by DR value ($AQ_x = DR_x / 4.095$);
- ✘ When output value type of AQ is set to other parameters variables, DR value changed by AQ output value ($DR_x = AQ_x * 4.095$).
- ✘ More information about expansion analog input to see: [Chapter 8 Expansion Module-Analog Module](#).

Example 1: AQ01 preset value is constant;



When running and disable M01, DRD4 output value is AQ01 setting value 4000, and AQ01 output 9.77V;
When running and enable M01, adjust the value of DRD4, AQ01 output value changed with DRD4;

Example 2: AQ01 preset value is other parameters;

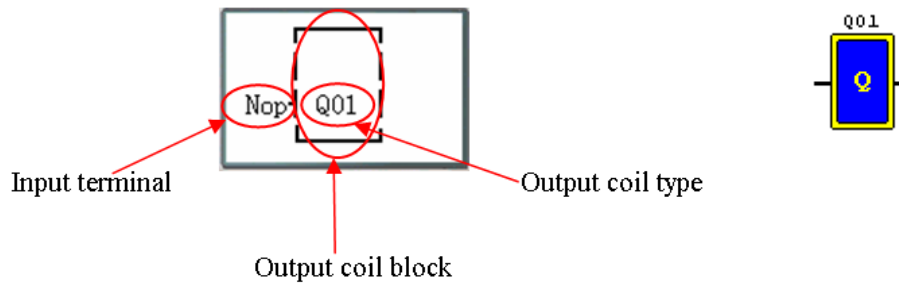


When running, DRD4 output value is out control of I01. AQ01 output value is A01, adjust the value of A01, DRD4 output value changed with A01;

Coil Block Instruction

Output coils including Q, Y, M, N, H, L, P, S.

FBD menu display:



H, L, P, S is special function coil, and press “OK” button into function display.

Press the button:

OK	Into function display when cursor address is output coil and coil type is H, L, P, S.
→	Move cursor: input terminal → output coil type → output coil number
←	Move cursor: output coil number → output coil → input terminal → Logic/Function display (input terminal is block)
↑ ↓	Change output coil type when cursor address is output coil: Q ⇔ Y ⇔ M ⇔ N ⇔ H ⇔ L ⇔ P ⇔ S ⇔ Q...; Change output coil number when cursor address is output coil number;

HMI

The SG2 smart relay includes a total of 31 HMI instructions that can be used throughout a program. Each HMI instruction can be configured to display information on the SG2 16x4 character LCD in text, numeric, or bit format for items such as current value and preset value for functions, Input/Output bit status, and text. There are three kinds of text in HMI. They are Multi Language, Chinese (fixed) and Chinese (edit).

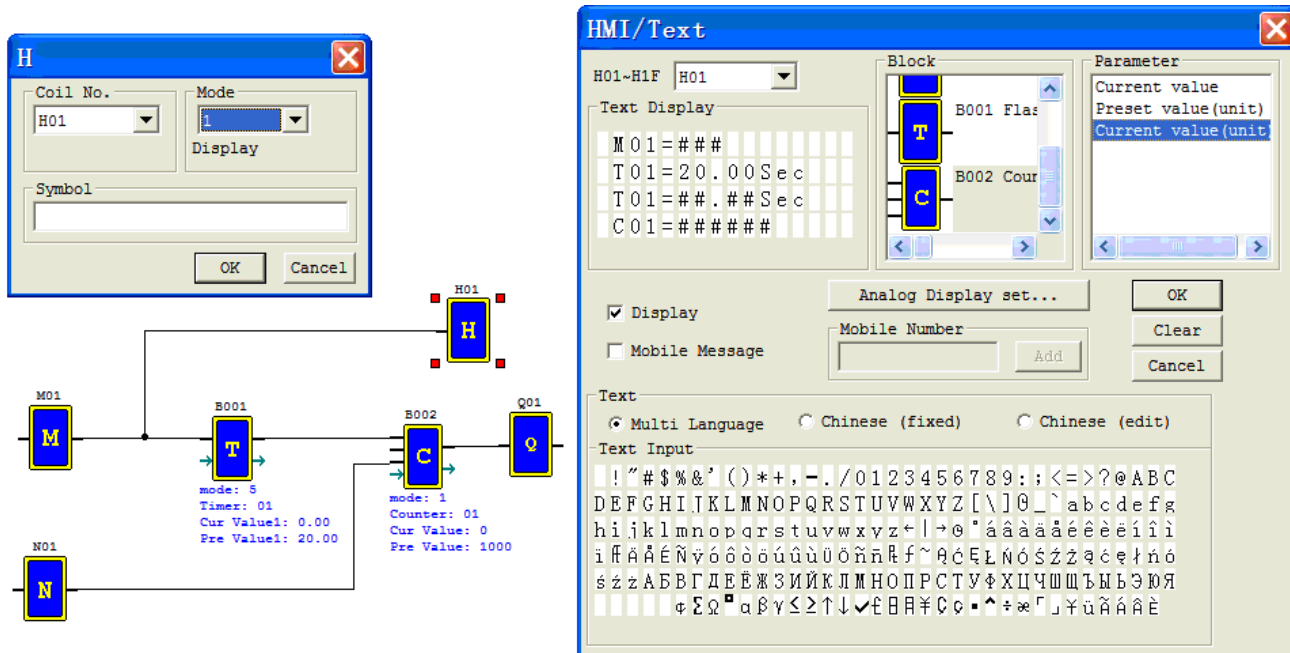
✘ Only the coils, function blocks and analog value which used in the program can be set in HMI to display status, preset value and current value.

Each HMI instruction has a choice of 2 operation modes.

Mode1, display mode when pressing key “SEL” can display HMI preset.

Mode2, no display mode when pressing key “SEL” can’t display HMI preset. Displays preset only be enabled.

Example: H01 controlled by M01, and setting H01 mode1, display M01 status, preset value and current value for block B001 (Timer T01), current value for block B002 (Counter C01).



FBD output coil display M01: enable input coil	Press “OK” button into function display	Press “SEL”, “↑↓” and “OK” to edit HMI mode

HMI display and keypad function, same as ladder mode HMI function.

Press “SEL” button when stopping	Enabled display when running	Press “SEL”, “↑↓” and “OK” to edit preset value, coil status

✘ More information about HMI/TEXT to see:

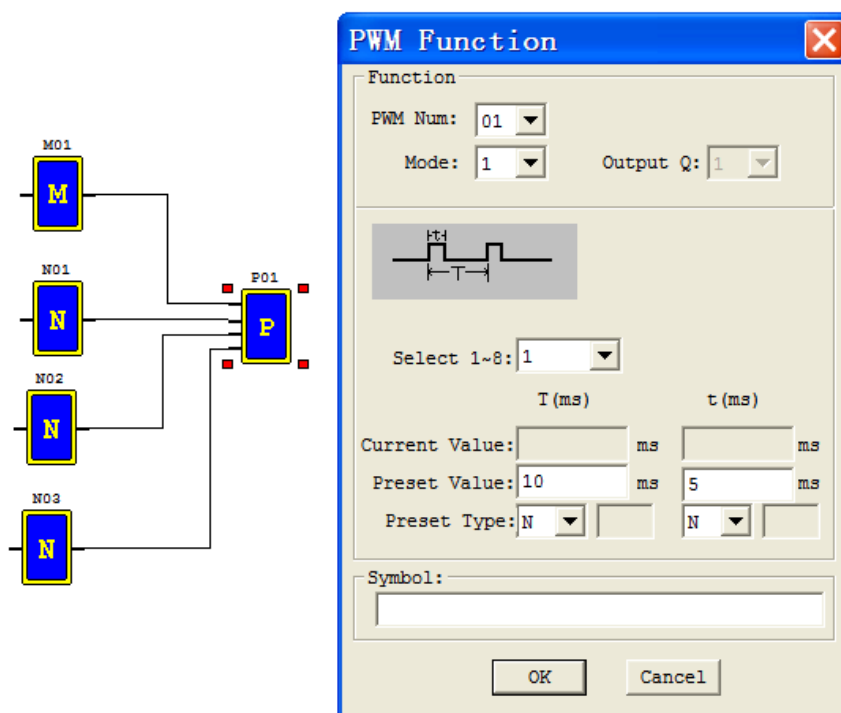
[Chapter 3: Program Tools—Ladder Logic Programming Environment —HMI/TEXT.](#)

PWM function block (only transistor output version)

The transistor output model smart relay includes the capability to provide a PWM (Pulse Width Modulation) output on terminal Q01 and Q02. The PWM instruction is able to output up to an 8-stage PWM waveform. It also provides a PLSY (Pulse output) output on terminal Q01, whose pulse number and frequency can be changed. The table below describes number and mode of PWM.

PWM mode

The PWM output terminal Q01 or Q02 can output 8 PWM waveforms. Each PWM has 8 group preset stages which contents Width and Period. The 8 group preset values can be constant or other function current value.



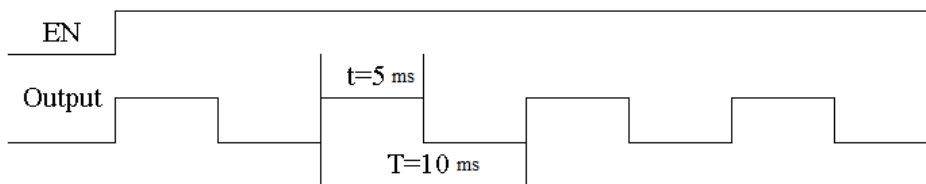
FBD output coil display M01: enable input coil	Press "OK" button into function display	Press "SEL" , "↑↓" and "OK" to select stage and edit preset value

Display Description
P01: PWM code (PWM01~PWM02)
M01: Enable Input (I01~ B260)
N01: Select1 (I01~ B260)
N02: Select2 (I01~ B260)
N03: Select3 (I01~ B260)
Mode: PWM mode (1)
SET x: present stages as operating (1~8)
Out: Output port (Q01~Q02)
TPx: Width of preset stage (0~32767 ms)
TTx: Period of preset stage (1~32767 ms)

Enable	Select3	Select2	Select1	stage	PWM Output
OFF	X	X	X	0	OFF
ON	OFF	OFF	OFF	1	Preset stage 1
ON	OFF	OFF	ON	2	Preset stage 2
ON	OFF	ON	OFF	3	Preset stage 3
ON	OFF	ON	ON	4	Preset stage 4
ON	ON	OFF	OFF	5	Preset stage 5
ON	ON	OFF	ON	6	Preset stage 6
ON	ON	ON	OFF	7	Preset stage 7
ON	ON	ON	ON	8	Preset stage 8

Example:

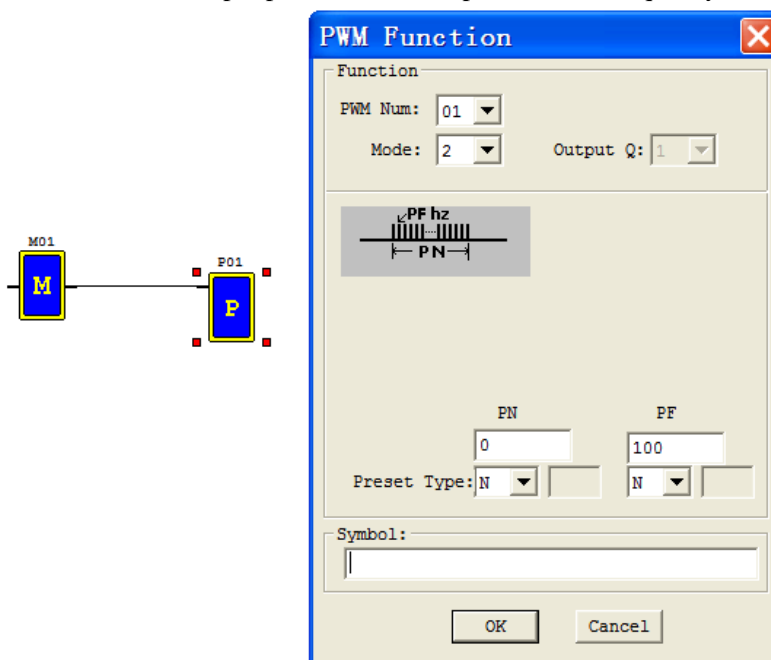
The state of N01, N02 and N03 are 000, so PWM output pulse is stage1 like this as setting above:



The state of N01, N02 and N03 decide PWM output. PWM stages can be changed by the status of N01, N02 and N03 when P01 is running.

PLSY mode

The PLSY output terminal Q01 can output preset number of pulse whose frequency is variable from 1 to 1000 Hz.

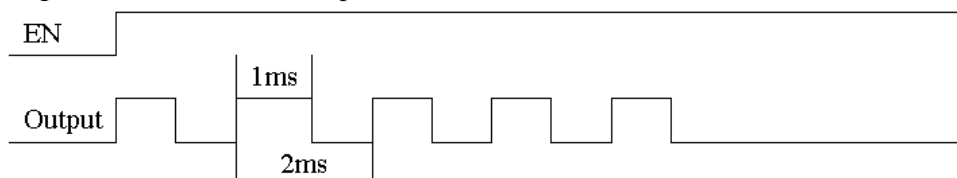


FBD output coil display M01: enable input coil	Press "OK" button into function display	Press "SEL" , "↑ ↓" and "OK" to edit preset value

- ※ PF: Preset frequency of PLSY (1~1000Hz); PN: Preset pulse number of PLSY (0~32767);
- ※ Total number of pulse storing in DRC9;
- ※ PLSY stops outputting pulse after it has output PN pulses.
- ※ PLSY will be going on as long as it's enabled if PN is 0.

Example:

Parameter setting: PF= 500Hz, PN = 5, output as shown below:



PLSY stops outputting when the number of output pulse is completed.

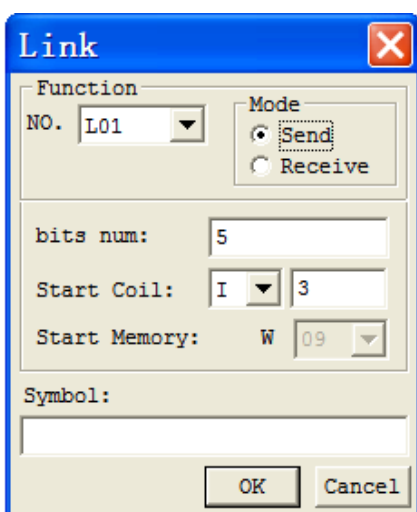
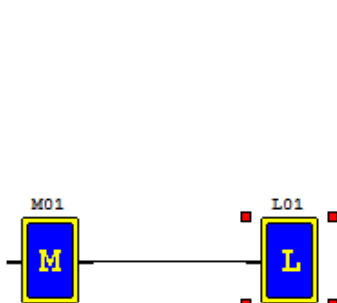
IO Link function block

Up to 8 additional SG2 units can be configured as independent Slave nodes, each running their own logic program and their I/O linked to one Master smart relay. The Master smart relay’s ID must be 00, and Slave nodes’ ID should start with 01 and be continuous. If nodes’ ID isn’t continuous, the Master won’t communication with those nodes which are behind the first broken. For example, the nodes’ ID is 01, 02, 04 and 05. The Master thinks there are only two Slave nodes whose ID is 01 and 02, and communication with them.

Each controller can use 8 IO Link (L01~L08). Only one IO Link instruction can work at Mode 1(send mode), and the other IO Link instructions must be Mode 2 (receive mode).

The Mode 1: Send memory range is determined by the Controller ID. The adjacent table show the memory range of Wxx locations associated with each controller ID.

The Mode 2: read the selected Wxx status and write to the selected coil. If the select coil type is input coil I or X, coil status can’t be changed by Wxx status.



ID	Memory list location
0	W01~W08
1	W09~W16
2	W17~W24
3	W25~W32
4	W33~W40
5	W41~W48
6	W49~W56
7	W57~W64

FBD output coil display M01: enable input coil	Press “OK” button into function display	Press “SEL” , “↑ ↓” and “OK” to modify mode, coil number, coil type and W address
	I/O Link01 Mode:1 Num:5 I03→W09 I07→W13	I/O Link01 Mode:2 Num:5 M04←W17 M08←W21

Display Description
L01: I/O link output terminal (L01~L08)
M01: Enable Input (I01~ B260)
Mode: Setting mode(1,2) 1:sending; 2:receiving
Num: Number of send/receive points (1~8)
I03...I07: Type of send/receive points
W09...W13: Send/Receive W Table list location

Type of points	Range
Inputs	I01~I0C/i01~i0C
Outputs	Q01~Q08/q01~q08
Auxiliary coil	M01~M3F/m01~m3F
Auxiliary coil	N01~N3F/n01~n3F
Expansion inputs	X01~X0C/x01~x0C
Expansion outputs	Y01~Y0C/y01~y0C

Example 1: IO Link Mode 1

Set mode=1, num=5, set type of points as I03, the state of actual sending terminal I03~I07 is sent to memory list; the controller ID=1, the state of corresponding memory list position W09~W13, and relationship of sending terminal is as below:

mode=1, num=5, type=I03~I07, ID=1 (W09~W13)								
Memory List Position	W09	W10	W11	W12	W13	W14	W15	W16
Corresponding receiving	↑	↑	↑	↑	↑	↑	↑	↑
Or sending terminal	I03	I04	I05	I06	I07	0	0	0

Example 2: IO Link Mode 2

Set mode=2, num=5, set type of points as start from M03, set W table as from W17, when enabling the IO Link, the state “ON/OFF” of M03~M07 is controlled by the state of memory list position W17~W21.

mode=1, num=5, type=M03~M07, W=W17~W21					
Memory List Position	W17	W18	W19	W20	W21
Corresponding receiving	↓	↓	↓	↓	↓
Or sending terminal	M03	M04	M05	M06	M07

```

I/O Link02
Mode:2 Num:5
M03←W17
M07←W21
    
```

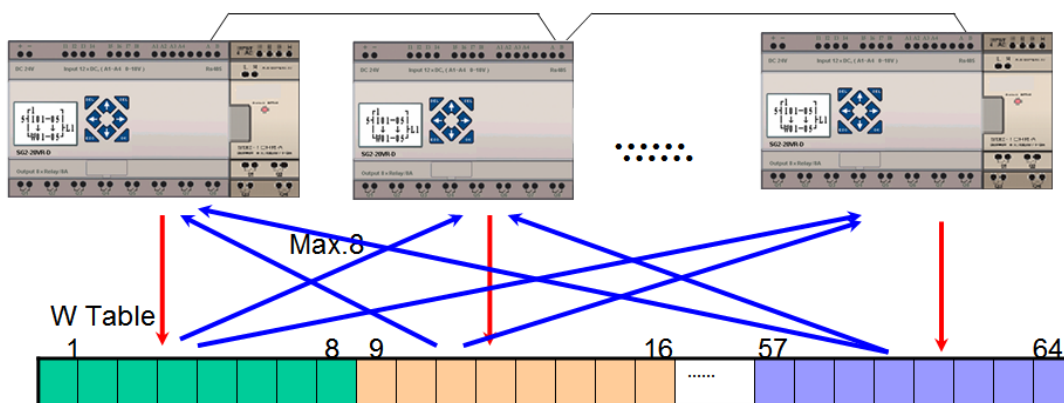
IO Link diagram as blow:

- max. 8 points I/O send per stations
- Max 7*8 (=56) points I/O received per station

ID SET	01
REMOTE I/O	N
BACKLIGHT	x
M KEEP	✓

ID must set to be 0,1,2,...(max to 7)

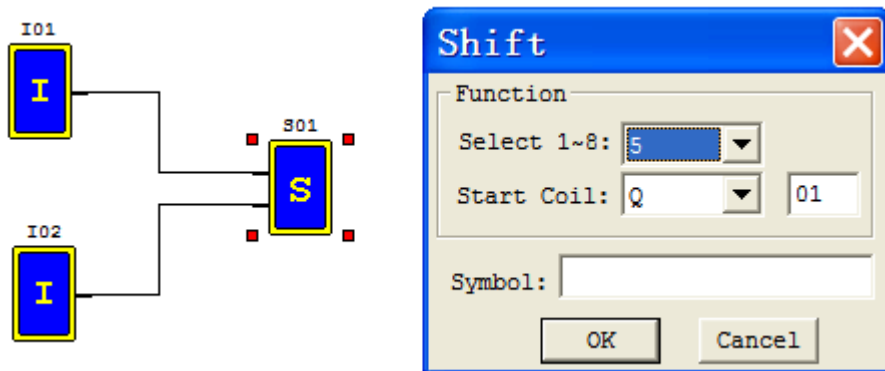
Remote I/O disable



※ More information about IO Link to see “Chapter 7 20 Points RS485 type Models Instruction”.

SHIFT function block

The SG2 smart relay includes only one SHIFT instruction that can be used throughout a program. This function output a serial of pulse on selection points depending on SHIFT input pulse.

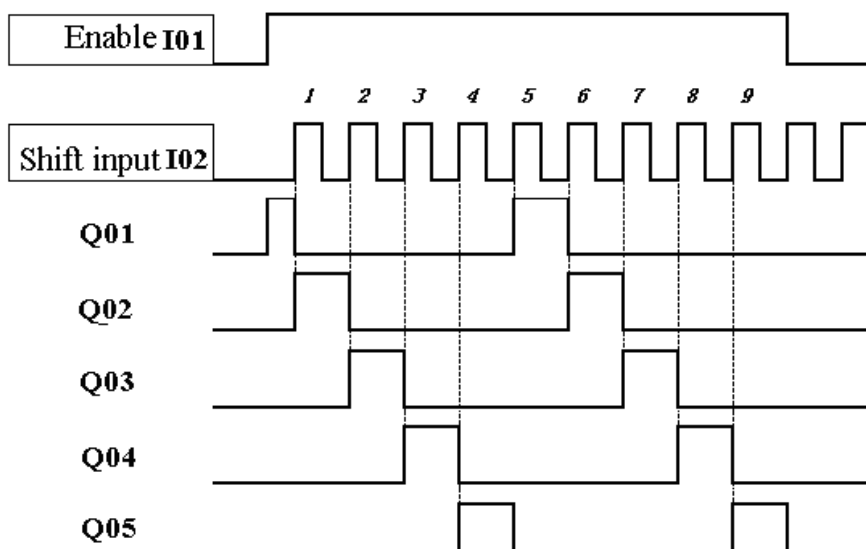


FBD output coil display I01: enable input coil	Press "OK" button into function display	Press "SEL", "↑↓" and "OK" to modify coil number and coil type

Display Description
S01: Shift code (S01)
I01: Enable Input (I01~ B260)
I02: Shift input (I01~ B260)
Type: Shift output coils
Num: Preset number of output pulse (1~8)

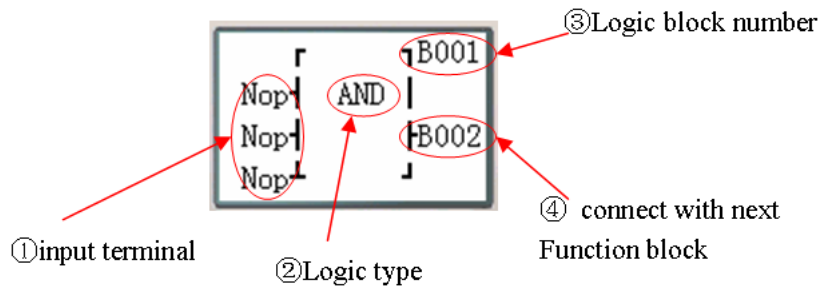
Shift output coils	Range
Outputs	Q01~Q08
Expansion outputs	Y01~Y0C
Auxiliary coil	M01~M3F
Auxiliary coil	N01~N3F

Timing diagram



Logic Block Instructions

Logic blocks display in FBD:

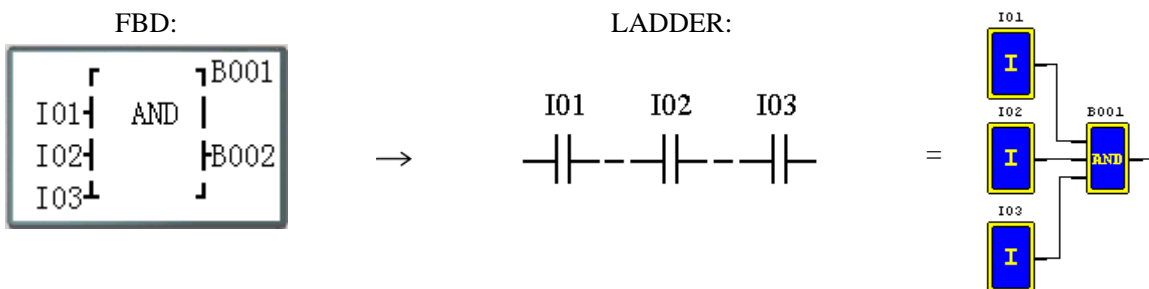


Press the button:

→	Move cursor: input terminals ① → Logic block number ③ → display next connected block or coil
←	Move cursor: Logic block number ③ → input terminals ① → Logic/Function display (input terminal is block)
↑↓	Move cursor up or down (when multiple input terminals)

※ Logic Block include: AND, AND EDGE, NAND, NAND EDGE, OR, NOR, XOR, NOT, RS, PULSE, BOOLEAN.

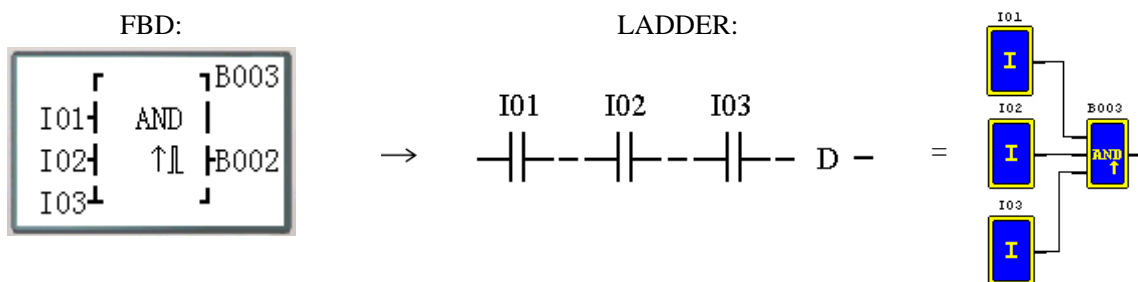
AND Logic Diagram



I01 And I02 And I03

Note: The input terminal is NOP which is equivalent to “Hi”;
The B output ON when all input terminals status are ON;

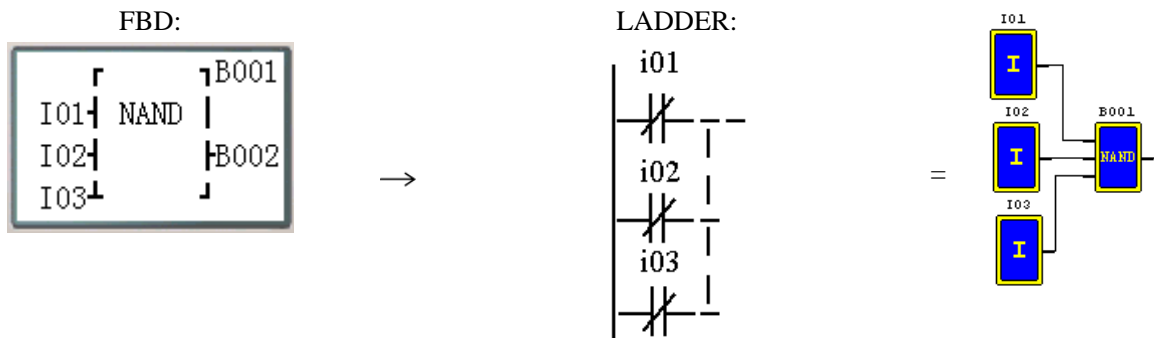
AND (EDGE) Logic Diagram



I01 And I02 And I03 And D

Note: The input terminal is NOP which is equivalent to “Hi”;
The B output ON a scan cycle time when all input terminals status are ON;

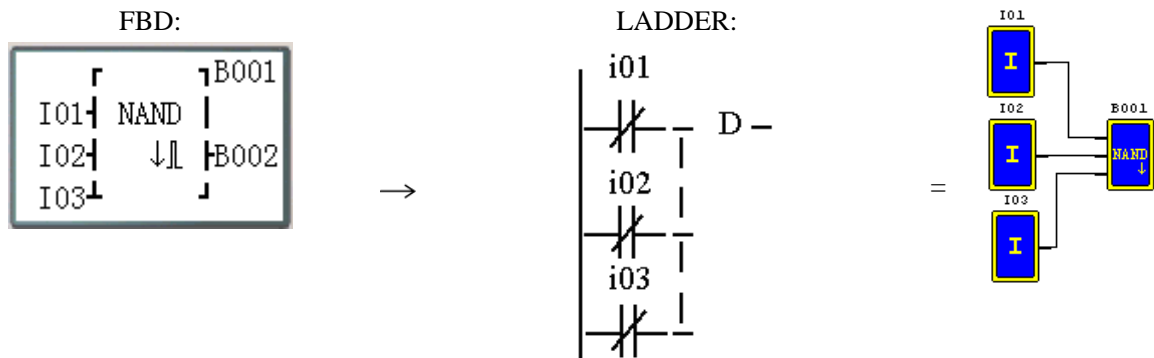
NAND Logic Diagram



Not(I01 And I02 And I03)

Note: The input terminal is NOP which is equivalent to “Hi”;
The B output ON when one of the input terminals status is OFF;

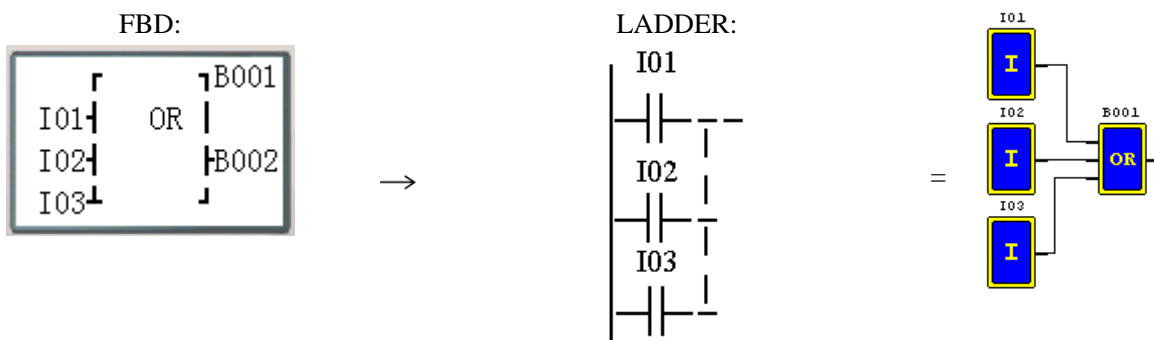
NAND (EDGE) Logic Diagram



Not(I01 And I02 And I03) And D

Note: The input terminal is NOP which is equivalent to “Hi”;
If change one input terminal to OFF when all input terminals are ON, the B output ON a scan cycle time;

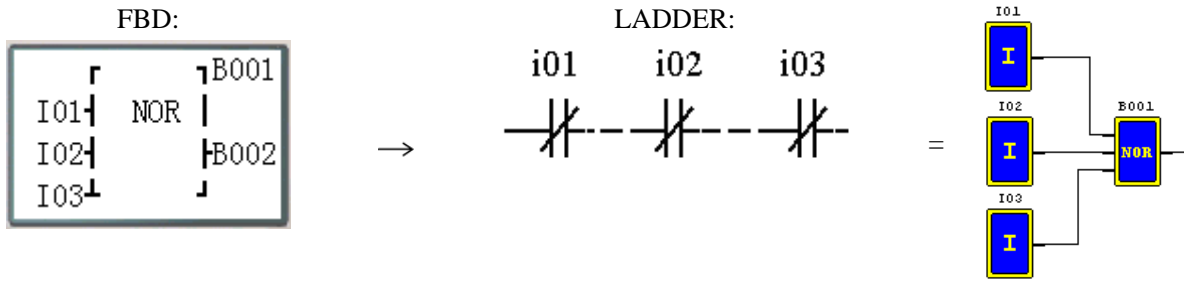
OR Logic Diagram



I01 or I02 or I03

Note: The input terminal is NOP which is equivalent to “Lo”;
The B output ON when one of the input terminals status is ON;

NOR Logic Diagram

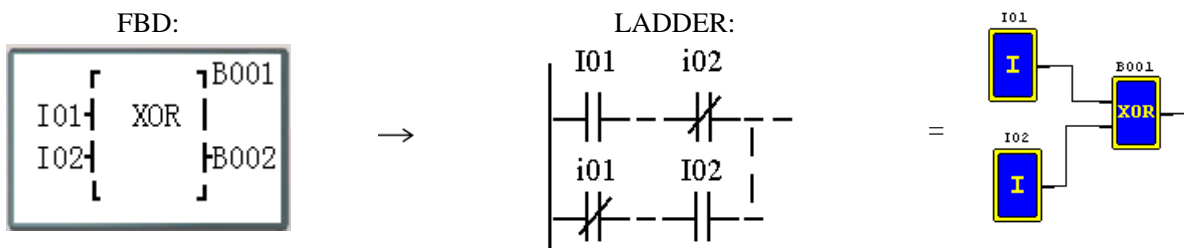


Not (I01 or I02 or I03)

Note: The input terminal is NOP which is equivalent to “Lo”;

The B output ON when all input terminals status are OFF;

XOR Logic Diagram

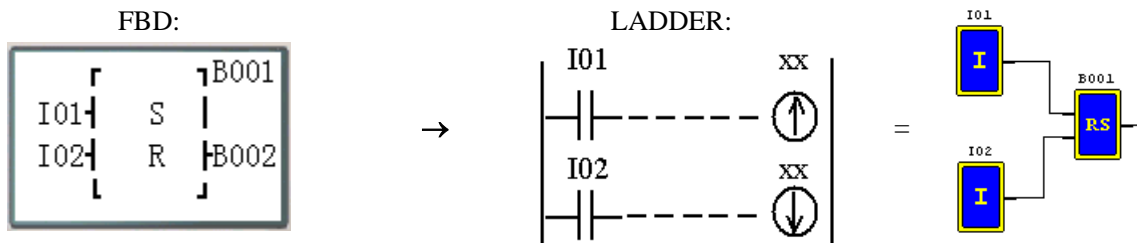


I01 XOR I02

Note: The input terminal is NOP which is equivalent to “Lo”;

The B output ON when the input terminals status are different;

SR Logic Diagram

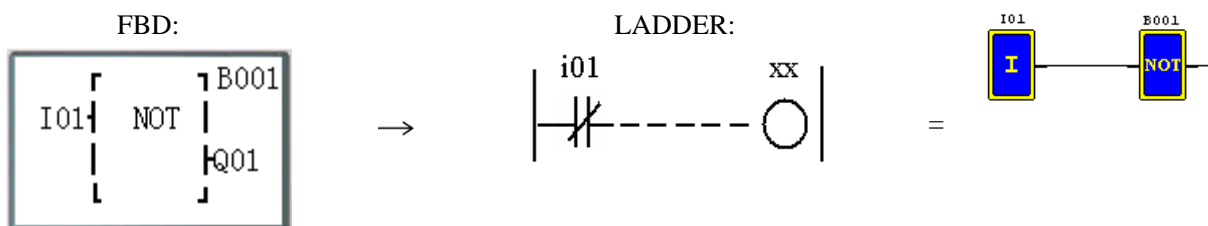


Logic Table

I01	I02	B001
0	0	holding
0	1	0
1	0	1
1	1	0

Note: The input terminal is NOP which is equivalent to “Lo”;

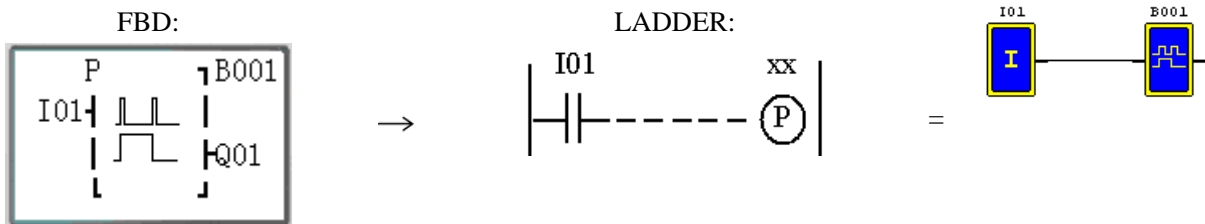
NOT Logic Diagram



Not I01

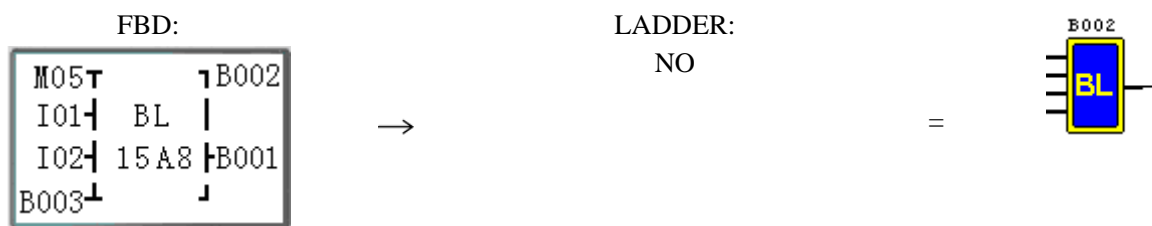
Note: The input terminal is NOP which is equivalent to “Hi”;

Pulse Logic Diagram



Note: The input terminal is NOP which is equivalent to “Lo”;
 The B output change status when input terminal OFF→ON;

BOOLEAN Logic Diagram



Note: The input terminal is NOP which is equivalent to “Lo”;

Description:

Input1	M 0 5 T	∟ B x x x	block code
Input2	I 0 1 ∟	B L	
Input3	I 0 2 ∟	1 5 A 8	∟ B y y y real table; output
Input4	B 0 0 3 ∟	∟	

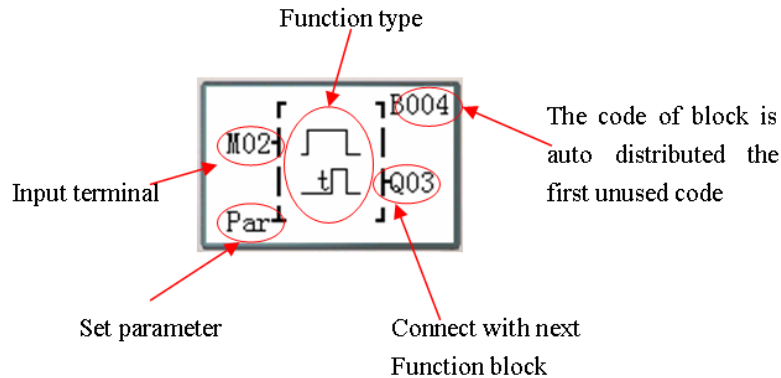
The relationship between input and real table is shown below.

Input1	Input2	Input3	Input4	Output (edit)	Example	Real table
0	0	0	0	0/1	0	8
1	0	0	0	0/1	0	
0	1	0	0	0/1	0	
1	1	0	0	0/1	1	
0	0	1	0	0/1	0	A
1	0	1	0	0/1	1	
0	1	1	0	0/1	0	
1	1	1	0	0/1	1	
0	0	0	1	0/1	1	5
1	0	0	1	0/1	0	
0	1	0	1	0/1	1	
1	1	0	1	0/1	0	
0	0	1	1	0/1	1	1
1	0	1	1	0/1	0	
0	1	1	1	0/1	0	
1	1	1	1	0/1	0	

Function Block

Operation rules of FBD function blocks is basically same as ladder mode.

Function blocks display in FBD:

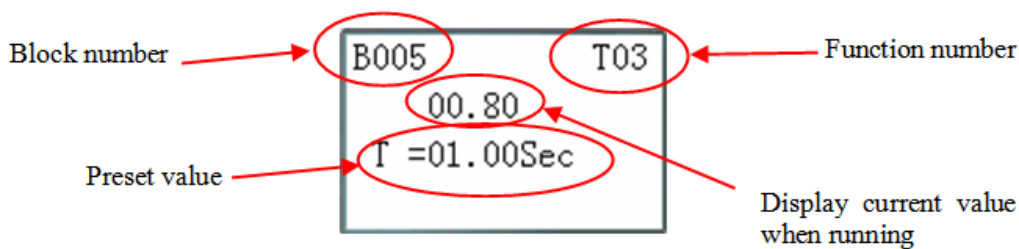


If cursor address is “Par”, user can press “OK” button into parameter display and edit preset value.

Press the button:

→	Move cursor: input terminals or Parameter → Function block number → display next connected block or coil
←	Move cursor: Logic block number → input terminals or parameter → Logic/Function display (input terminal is block)
↑↓	Move cursor up or down (input terminals ↔ set parameter)
OK	Enter parameter display when cursor address is Set parameter

Parameter display:



Press the button:

← →	Find and display previous or next function block when cursor address is Block number; Move cursor left or right when cursor address is Preset value;
SEL+↑↓	Find and display previous or next function block when cursor address is Block number;
SEL+← →	Display parameter1 or parameter2 when B function is PI, MX or AR;
↑↓	Move cursor up or down (Block number ↔ Preset value); Modify data or number when in edit mode;
SEL	Enter edit mode when cursor address is Preset value; Modify preset value type when in edit mode;
ESC	Cancel the current edit; Quite parameter display;
OK	Save the current edit;

Timer Function Block

There is a maximum of 250 timers function blocks under FBD mode, can be set mode 0~7 and the function is same as Ladder mode.

- ✘ Timer Mode7 occupied one blocks and two timers.
- ✘ TOE and TOF keep their current value after a loss of power to the smart relay if “M Keep” is active.

Timer edit and display:

FBD display:

```

    I04 ┌──┐ ┌──┐ B005
        │  │ │  │ │
    M01 └──┘ └──┘ Q04
        │  │ │  │ │
    Par ┌──┐ ┌──┐
        │  │ │  │ │
    
```

Parameter display:

```

    B005      T03
    00.00
    T =01.00Sec
    
```

(1) Timer mode 0 (Internal coil Mode)

Mode 0 Timer (Internal Coil) used as internal auxiliary coils. No timer preset value and no parameter display.

FBD display

Enable Input →

```

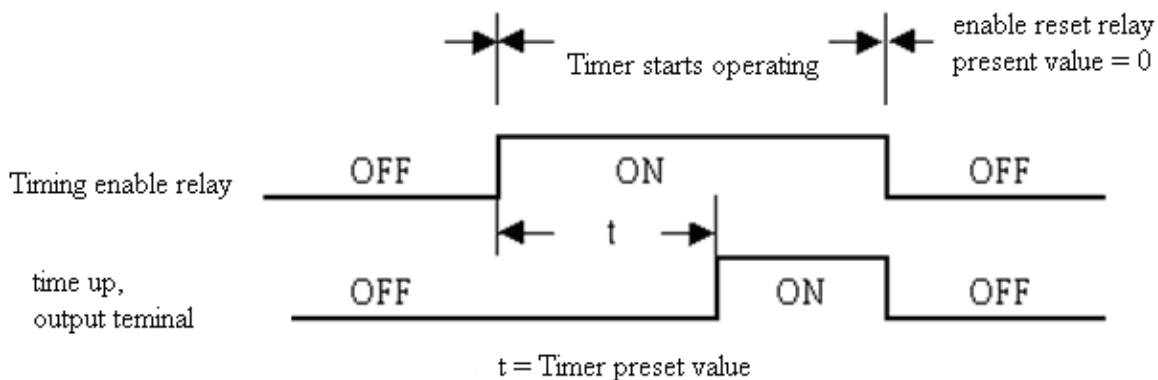
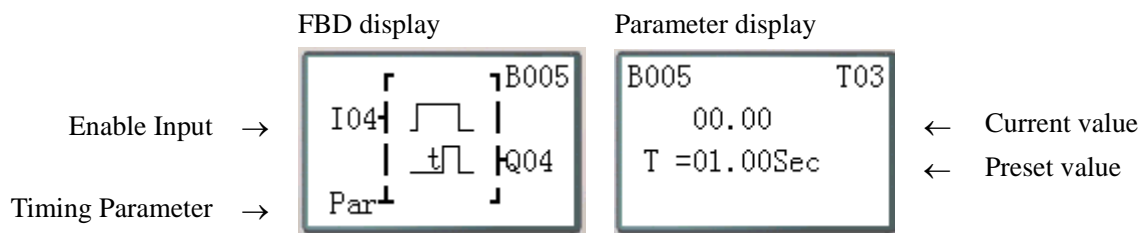
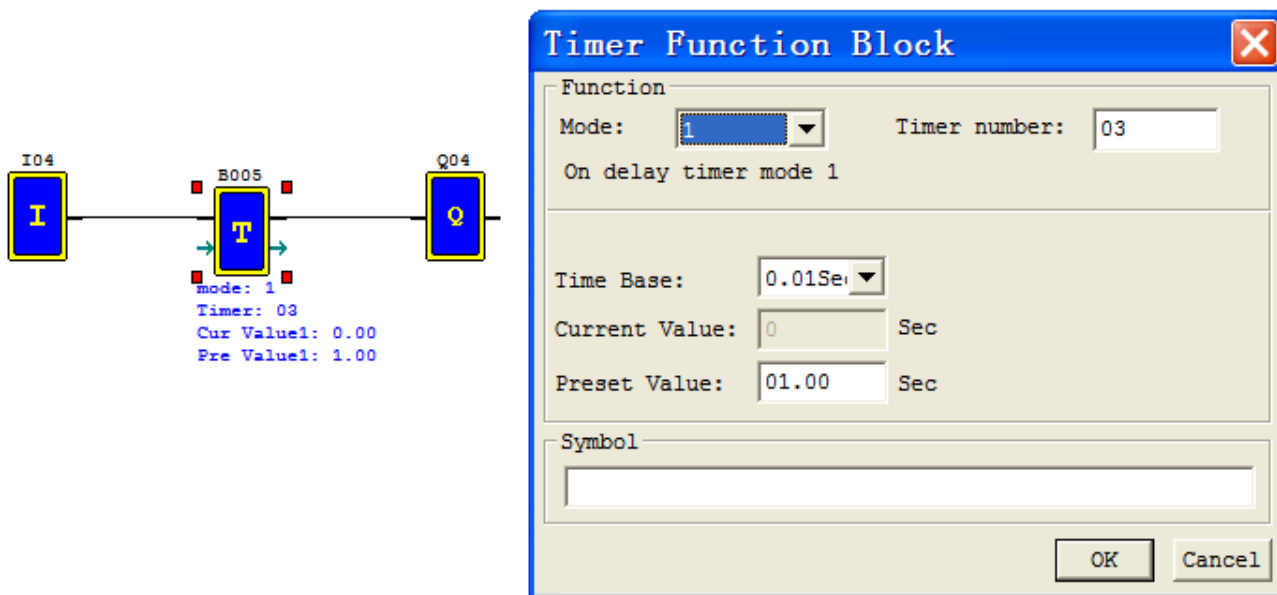
    I04 ┌──┐ ┌──┐ B005
        │  │ │  │ │
    T03 └──┘ └──┘ Q04
        │  │ │  │ │
    
```

Timing Diagram:

I04	OFF	ON	OFF	ON	OFF
T03 / Q04	OFF	ON	OFF	ON	OFF

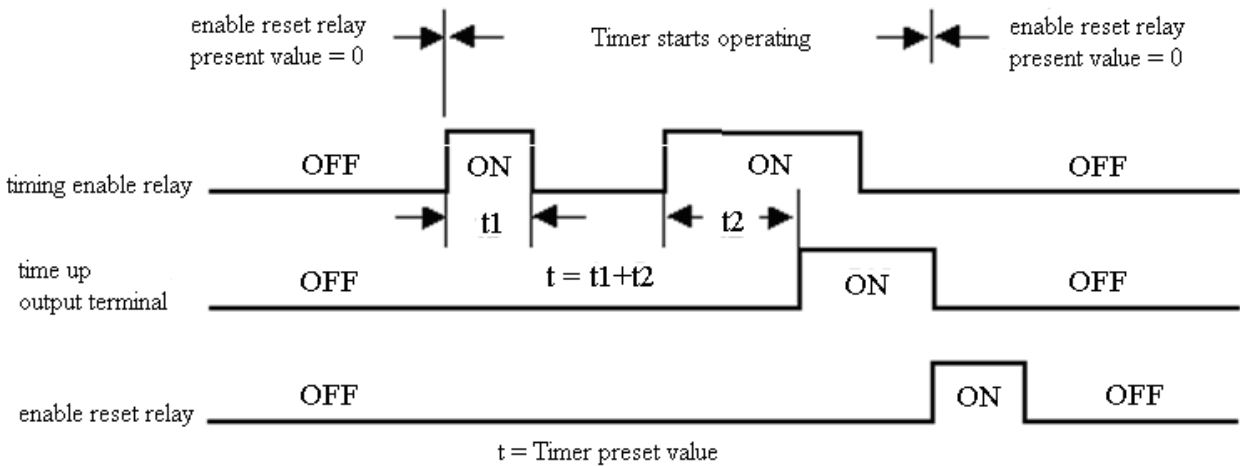
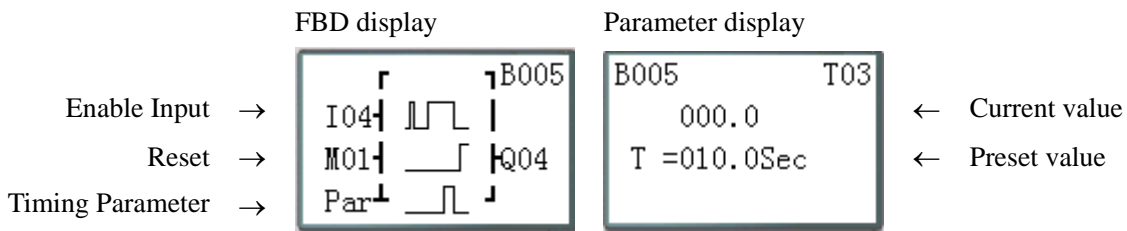
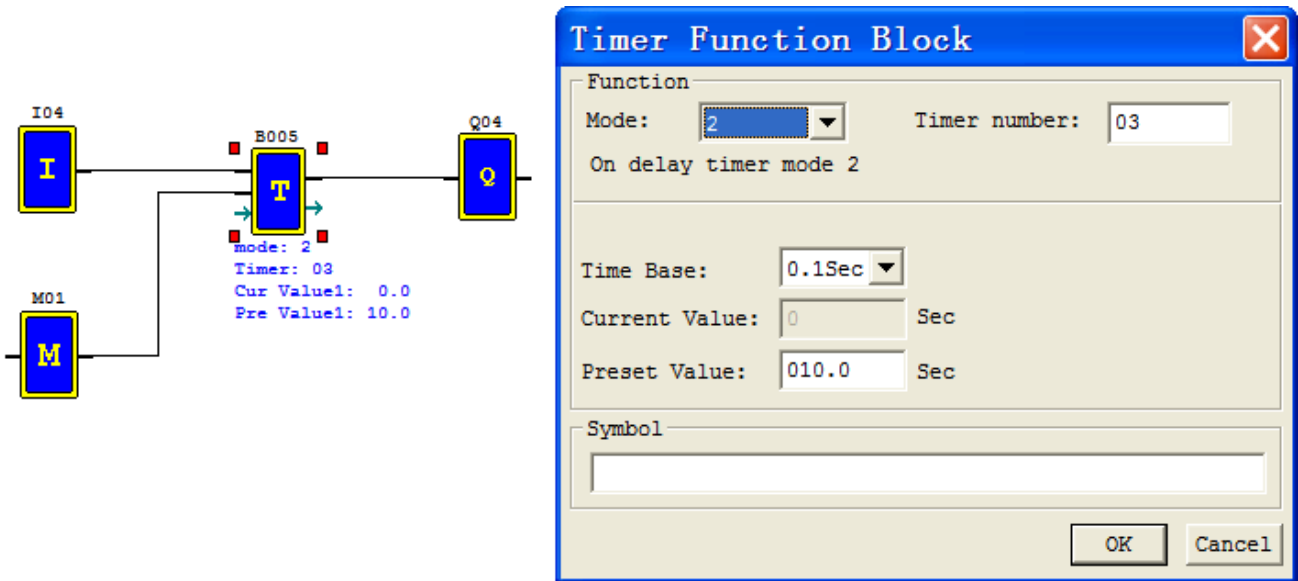
(2) Timer mode 1 (ON-Delay A Mode)

Mode 1 Timer will time up to a fixed value and stop timing when the current time is equal to the preset value. Additionally, the Timer current value will reset to zero when Timer is disabled.



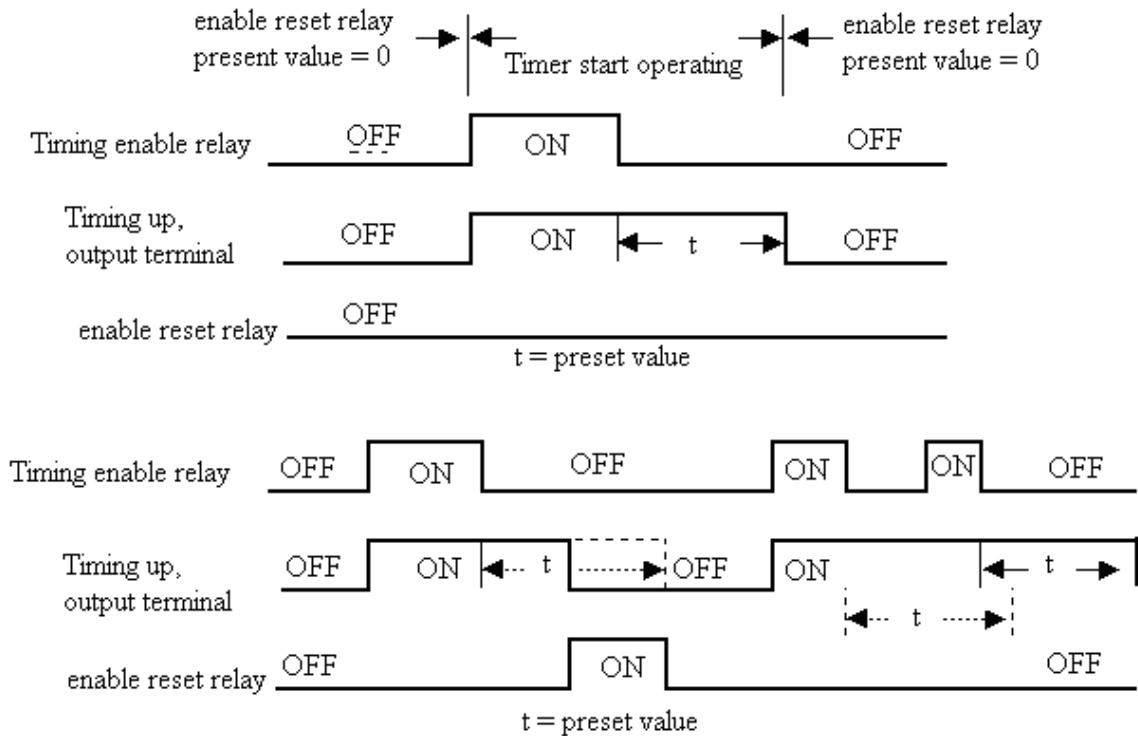
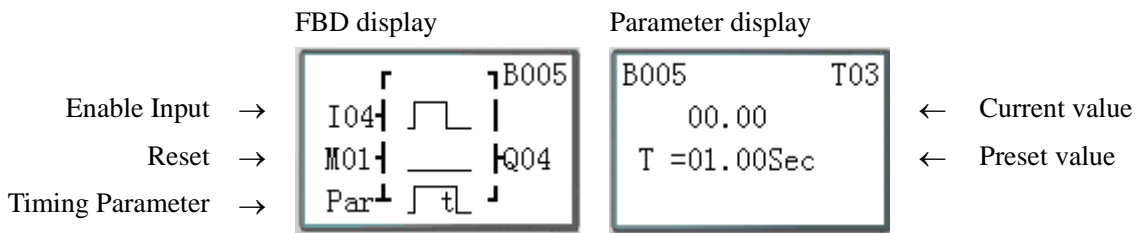
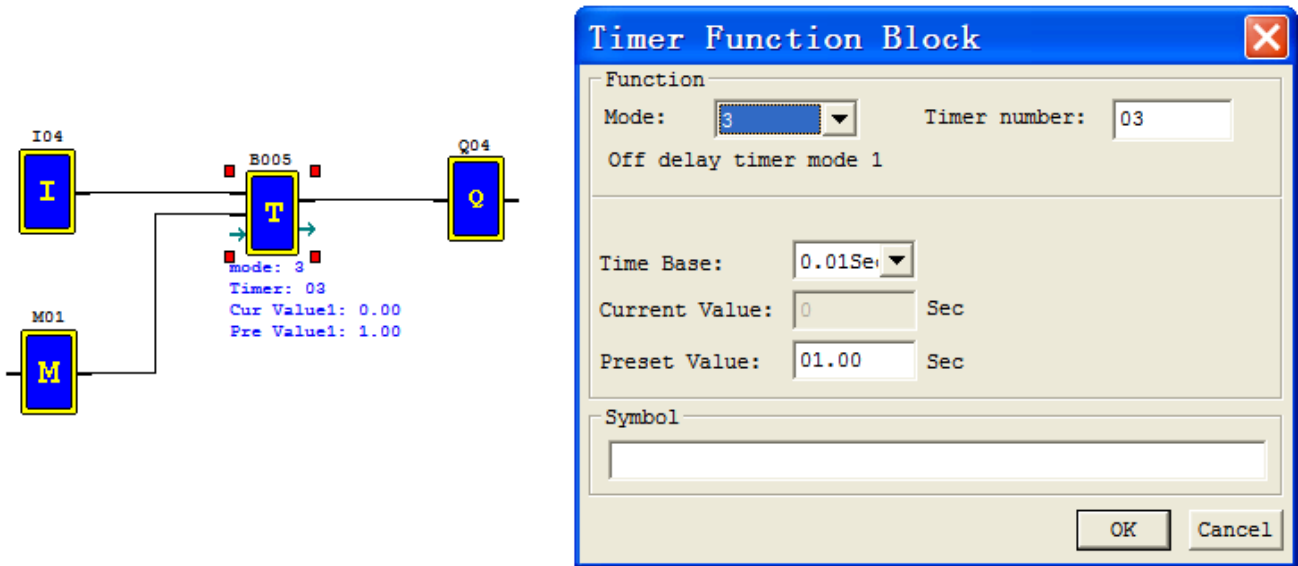
(3) Timer mode 2 (ON-Delay B Mode)

Mode 2 Timer is an ON-Delay with reset that will time up to a fixed preset value and stop timing when the current time is equal to the preset value. Additionally, the Timer current value will be kept when Timer is disabled.



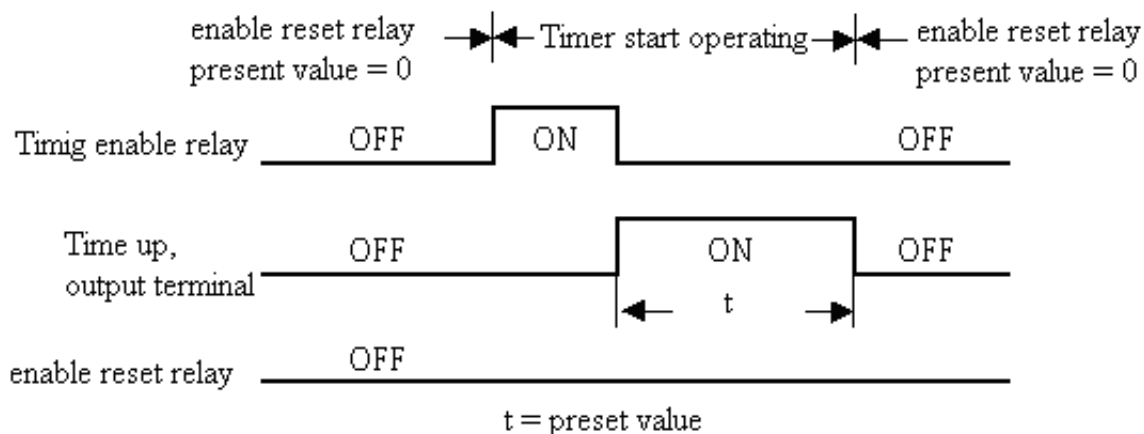
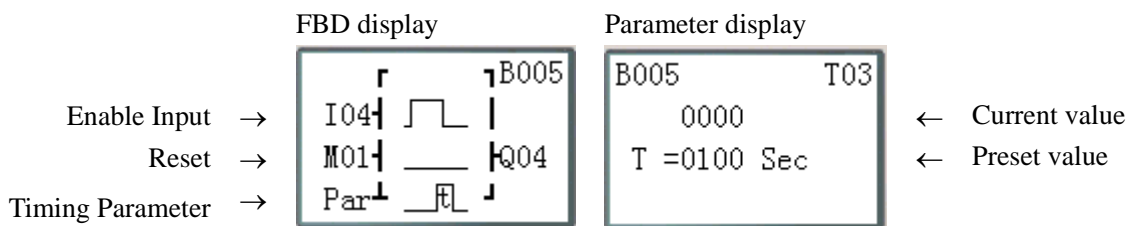
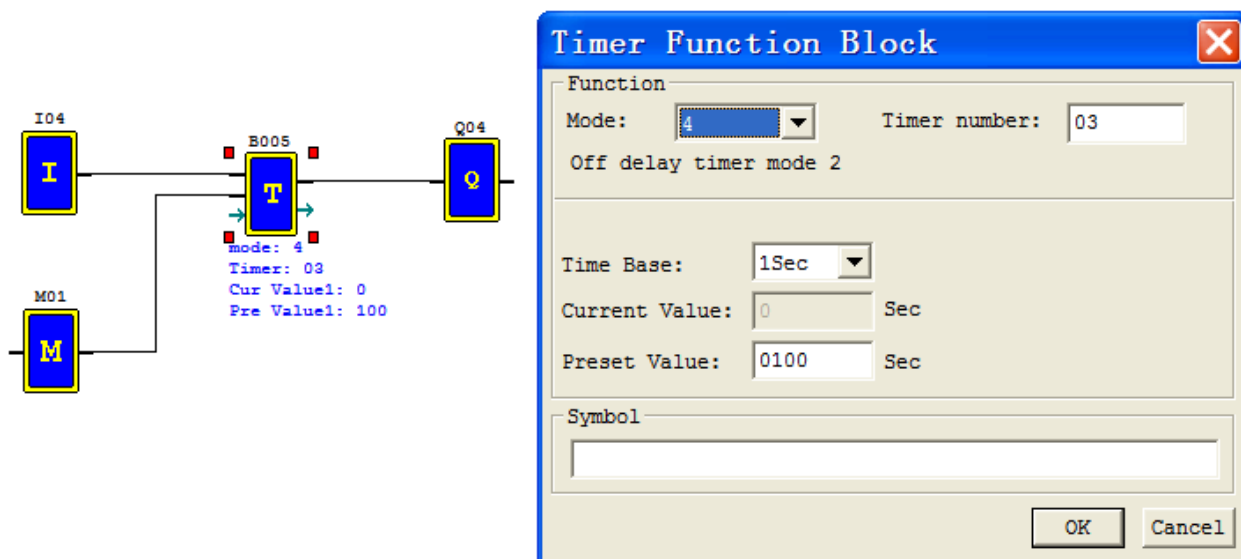
(4) Timer mode 3 (OFF-Delay A Mode)

Mode 3 Timer is an OFF-Delay with reset that will time up to a fixed preset value and stop timing when the current time is equal to the preset value. Additionally, the Timer current value will reset to zero when Timer is disabled.



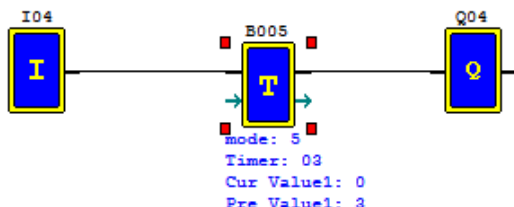
(5) Timer mode 4(OFF-Delay B Mode)

Mode 4 Timer is an OFF-Delay with reset that will time up to a fixed preset value and stop timing when the current time is equal to the preset value. Additionally, the Timer current value will reset to zero when Timer is disabled.



(6) Timer mode 5(FLASH A Mode)

Mode 5 Timer is a Flash timer without reset that will time up to a fixed preset value and then change the state of its status bit. Additionally, the Timer current value will reset to zero when Timer is disabled.



Timer Function Block

Function

Mode: 5 Timer number: 03

Flash timer mode 1

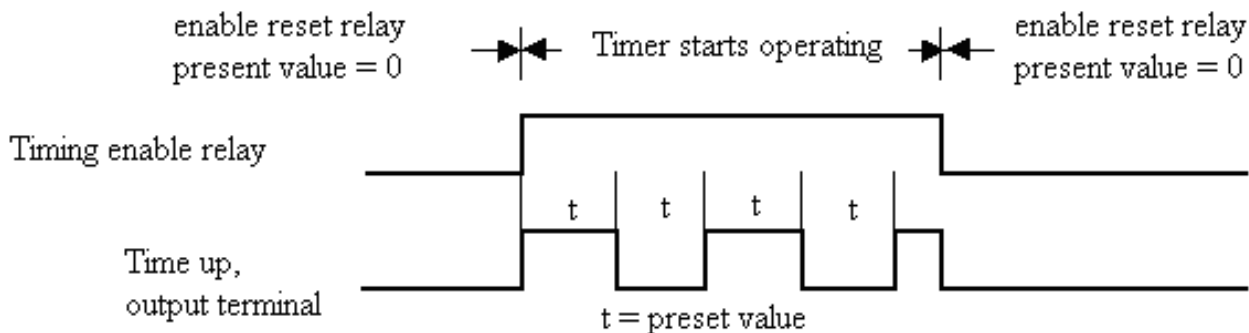
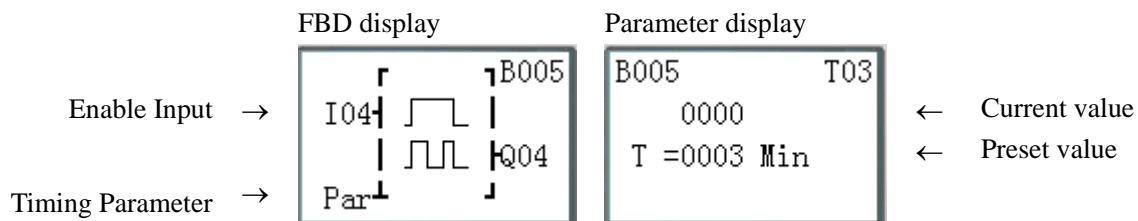
Time Base: 1Min

Current Value: 0 Min

Preset Value: 0003 Min

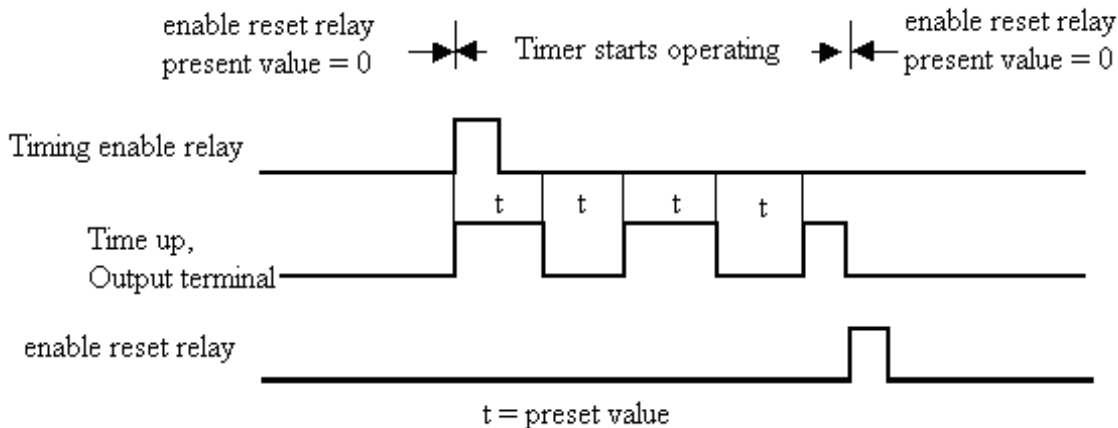
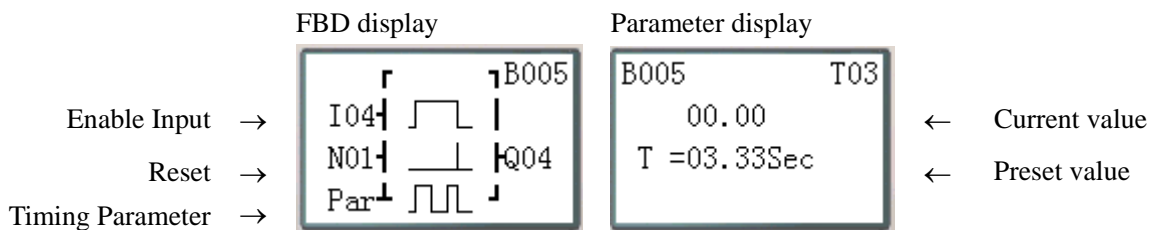
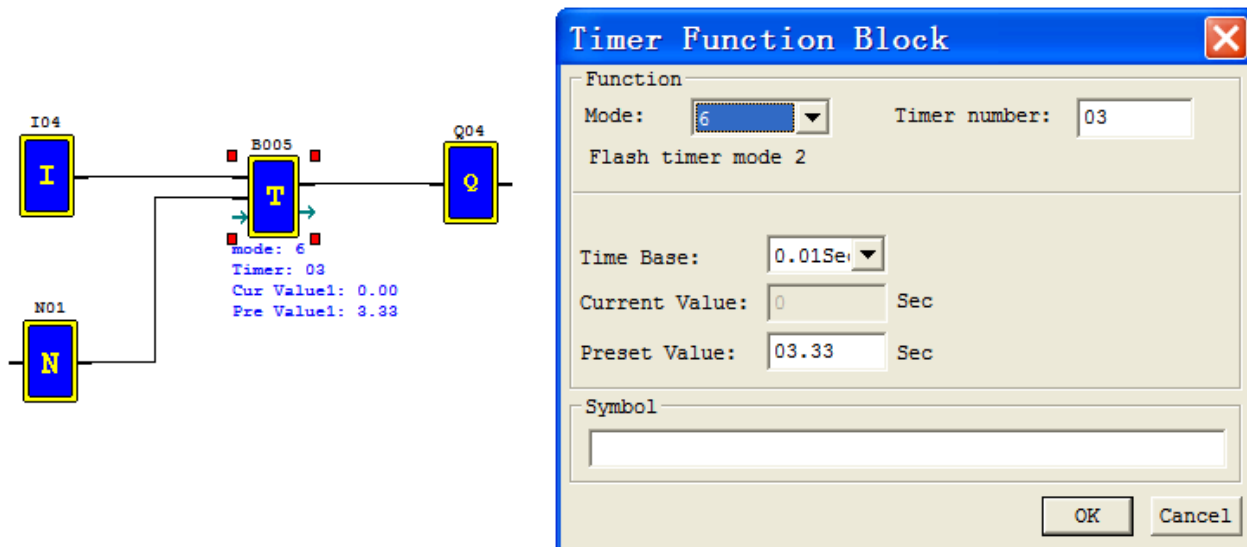
Symbol

OK Cancel



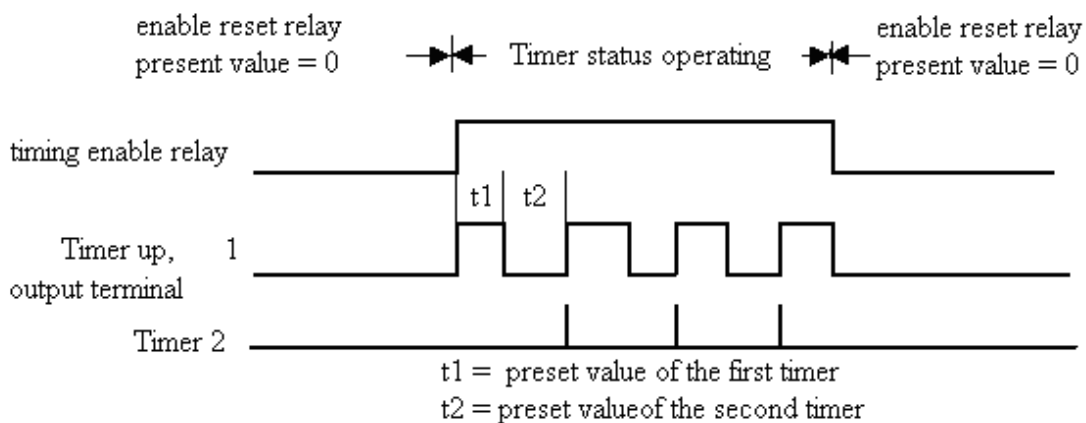
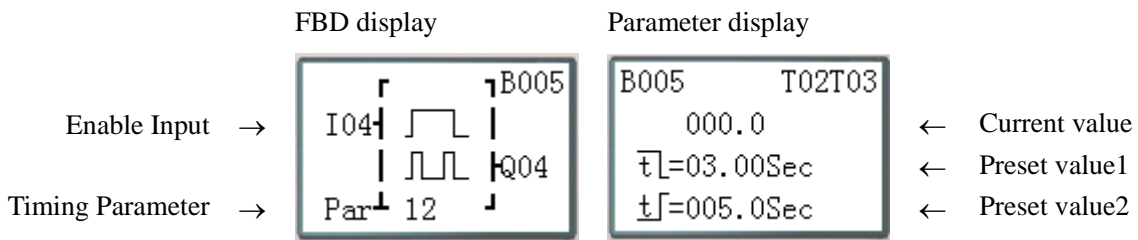
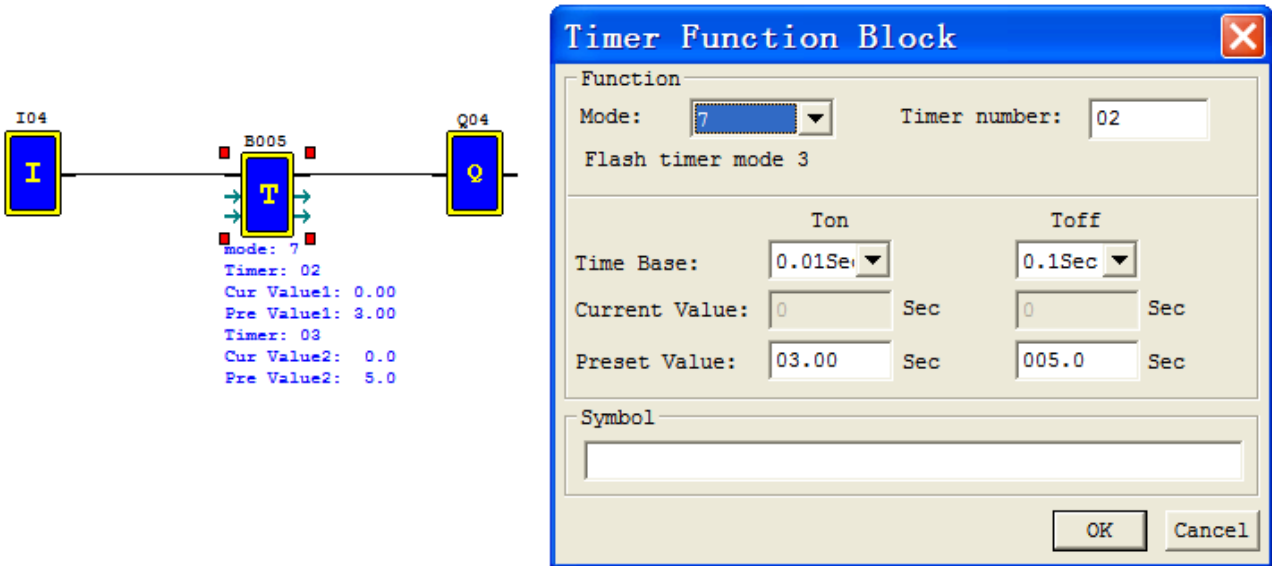
(7) Timer mode 6(FLASH B Mode)

Mode 6 Timer is a Flash timer with reset that will time up to a fixed preset value and then change the state of its status bit. Additionally, the Timer current value will reset to zero when Timer is disabled.



(8) Timer mode 7(FLASH C Mode)

Mode 7 Timer is a Flash Timer which using two Timers in a cascade configuration without reset. The second Timer number follows the first Timer. The cascade configuration connects the timer status bit of first timer to enable the second timer. The second timer will time up to its preset value then flash and its timer status bit will enable the first timer. Additionally, the Timer current value will reset to zero when Timer is disabled.



Common Counter function block

There is a maximum of 250 counter function blocks under FBD mode, can be set mode 0~6 as common counter and mode 7~8 as high-speed counter, and the function is same as Ladder mode.

Counter edit and display:

The diagram illustrates the configuration and display of a counter function block. On the left, an FBD shows three normally open contacts (Z01, N01, X01) connected to a counter block (C) labeled B001. The counter block is connected to a coil (Q02). Below the counter block, parameters are listed: mode: 1, Counter: 01, Cur Value: 0, and Pre Value: 5000. In the center, a 'Counter Function Block' dialog box is shown with the following settings: Mode: 1, Counter number: 01, Current Value: 0, Preset Value: 005000, and Symbol: C01. On the right, the 'FBD display' shows the timing diagram for Z01, N01, X01, and Par, with corresponding outputs B001 and Q02. Below that, the 'Parameter display' shows the block address B001, coil address C01, and the preset value C = 005000.

(1) Counter Mode 0 (internal coil)

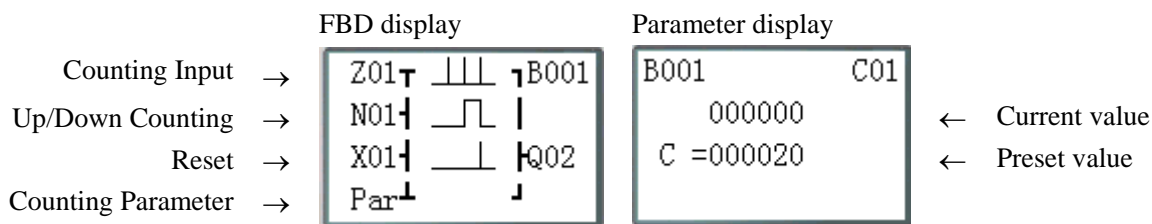
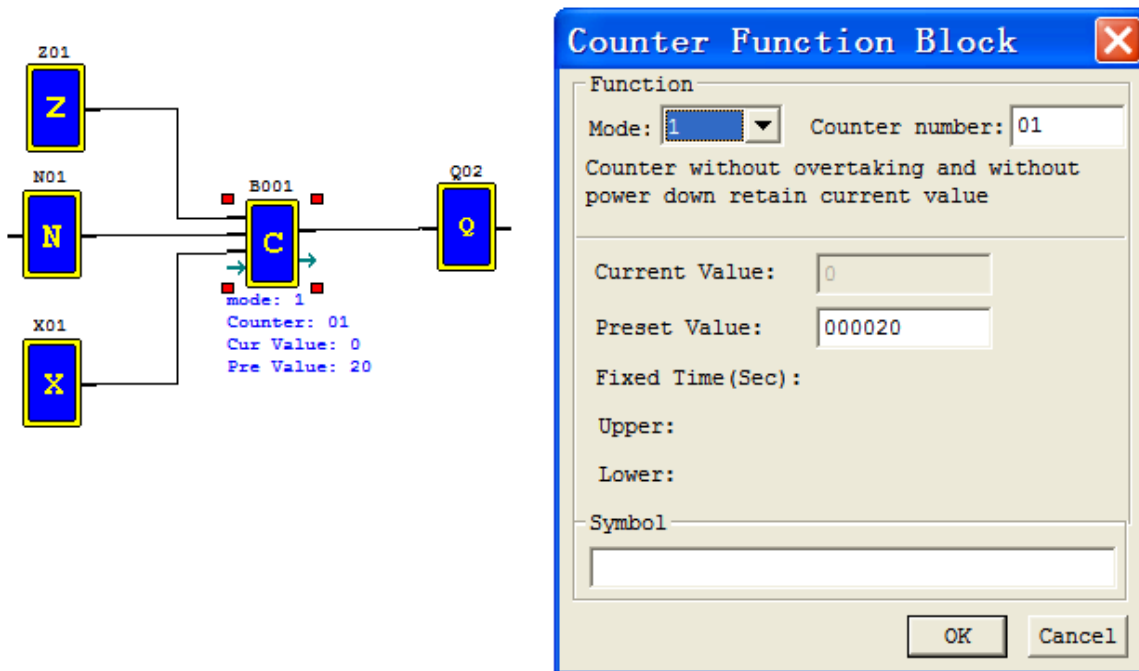
Mode 0 counter (Internal Coil) used as internal auxiliary coils. No timer preset value and no parameter display.

This diagram shows the configuration and timing for Counter Mode 0. The FBD shows a normally open contact (I01) connected to a counter block (C) labeled B002, which is connected to a coil (M01). The counter block parameters are mode: 0 and Counter: 02. The 'FBD display' shows the timing diagram for I01, B002, and M01. Below, the timing diagram shows the relationship between the enable input (EN I01) and the counter output (C02 / M01). Both the input and output are ON during the same pulse and OFF during the same intervals.

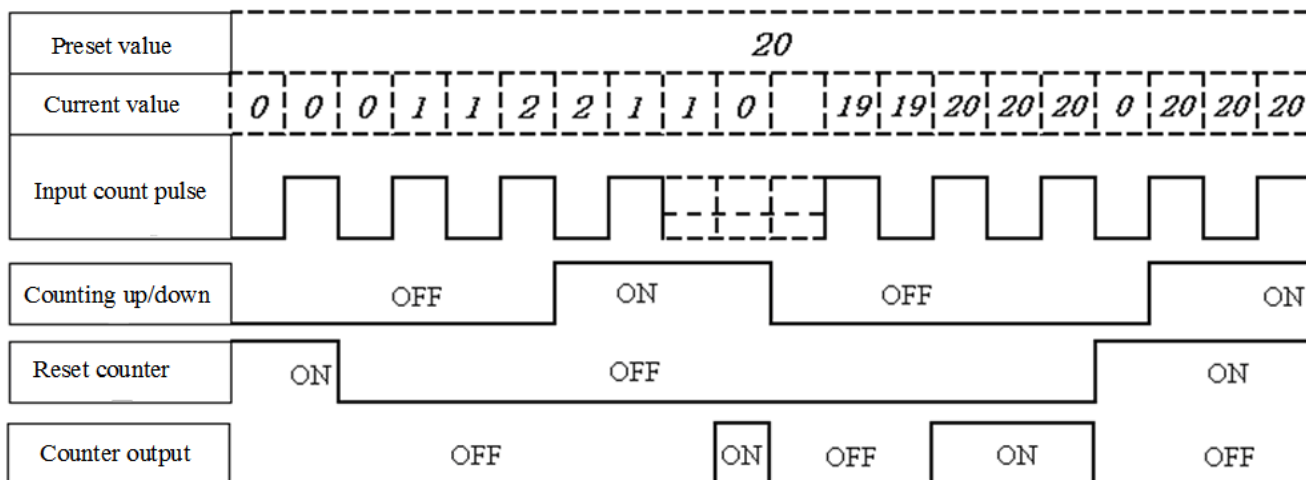
EN I01	OFF	ON	OFF	ON	OFF
C02 / M01	OFF	ON	OFF	ON	OFF

(2) Counter Mode 1 (Fixed Count, Non-Retentive)

Mode 1 Counter will count up to a fixed preset value and stop counting when the current count is equal to the preset value, or count down to 0 and stop counting when the current count is equal to 0. Additionally, the current count value is non-retentive and will reset to init value on a powering up to the smart relay.



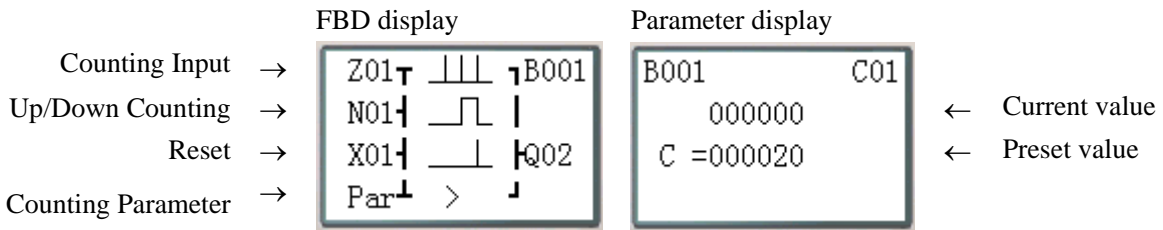
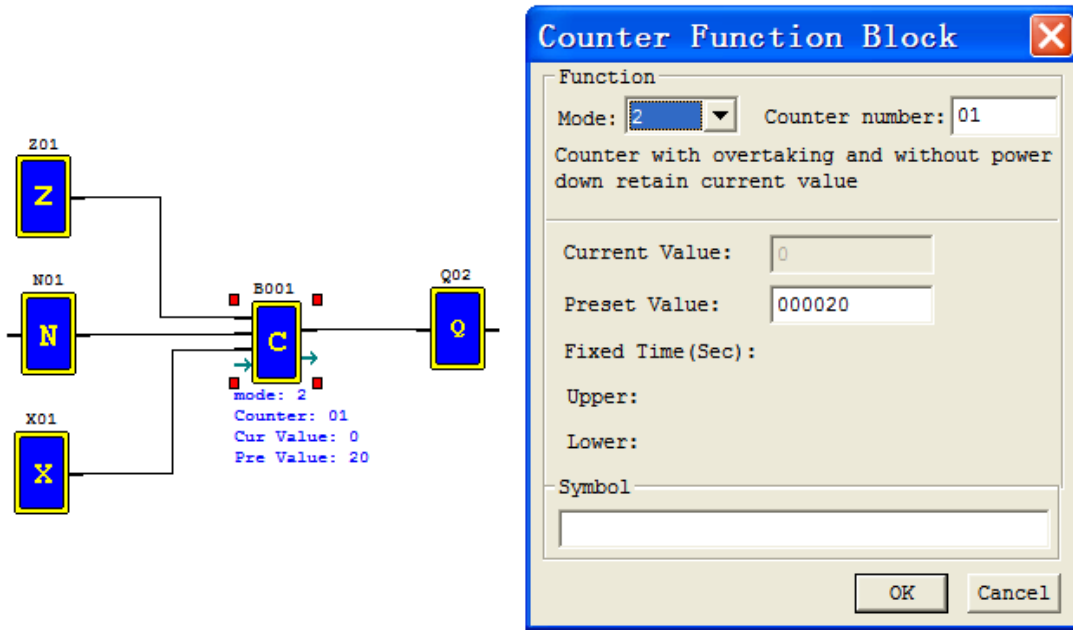
Mode=1



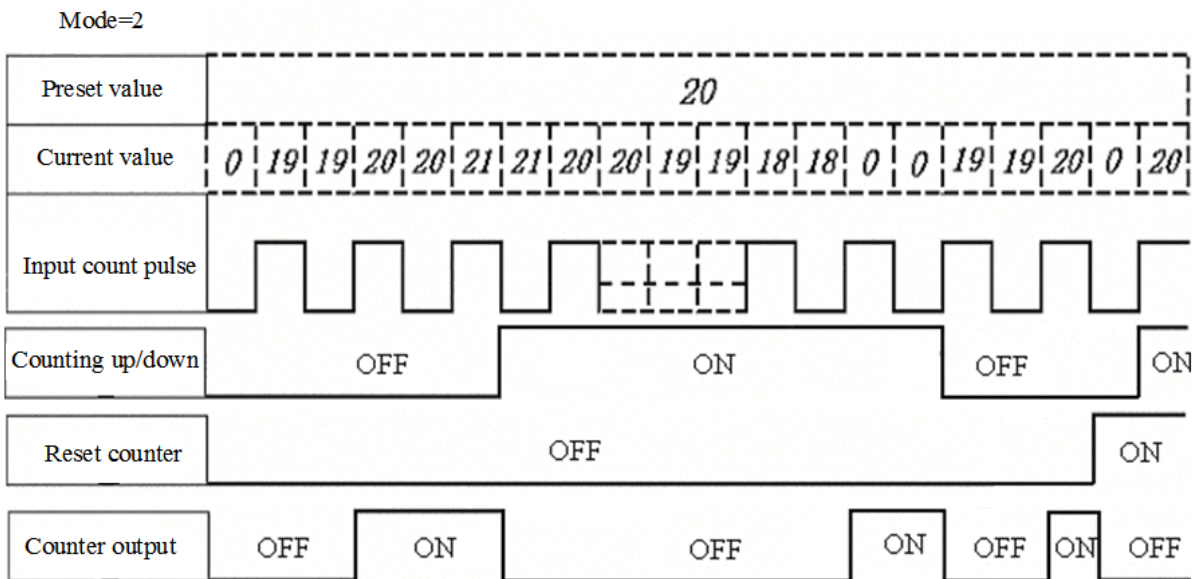
※ Under this mode, the counter current value will be init value when the smart is power up or switching between RUN and STOP. The init value is 0 if the counter configured as counting up, else, it is preset value.

(3) Counter Mode 2 (Continuous Count, Non-Retentive)

Mode 2 Counter will count up to a fixed preset value and continue counting after the preset value, but it won't count when the current value equals 0 if it's configured as down Counter. Additionally, the current count value is non-retentive and will reset to init value on a powering up to the smart relay or switching between RUN and STOP.



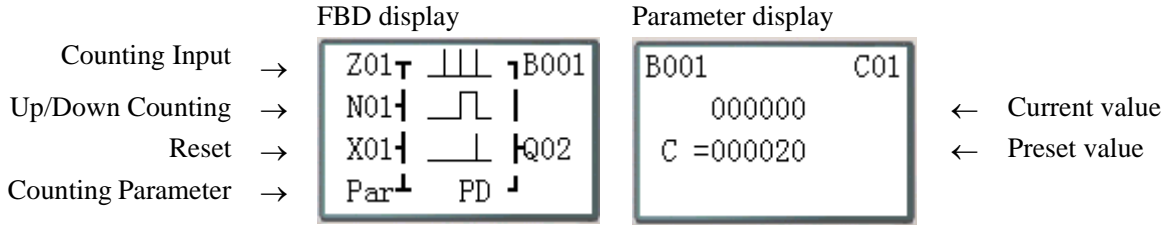
Note: The ">" means the current value appeared will be greater than present value.



- ✘ Under this mode, Counter will continue counting after reaching preset value if it's configured as counter up. But it stops counting when its current value is 0 if it's configured as counter down.
- ✘ The counter current value will be init value when the smart's status switches between RUN and STOP or the smart is power up. If the counter configured as counting up, the init value is 0, else, it is preset value.

(4) Counter Mode 3(Fixed Count, Retentive)

Mode 3 Counter operation is similar to Mode 1 except its current count value is retentive when Counter powers down. So, the current value won't be init value when Counter powers up, but be the value when it powering down. Mode 3 Counter will count up to a fixed preset value and stop counting at that value, or stop counting when its current value is 0 if it's configured as down counter.



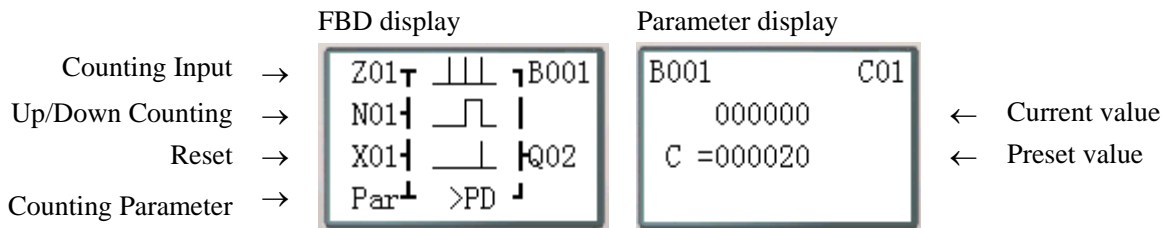
Note: The “PD” means the current value will be retain until the power recover;

This mode is similar to mode 1, but:

- ✘ First 31 Counter functions (C01~C1F) can keep their current value after a loss of power to the smart relay.
- ✘ The current counter value will keep when the smart switches between RUN and STOP if C-keep is active.

(5) Counter Mode 4(Continuous Count, Retentive)

Mode 4 Counter operation is similar to Mode 2 except its current count value is retentive. The current count value is retentive and will keep its current count after a loss of power to the smart relay. Mode 4 Counter will count up to a fixed preset value and then continue counting after the preset value, but it won't count when the current value equals 0 if it's configured as down Counter.

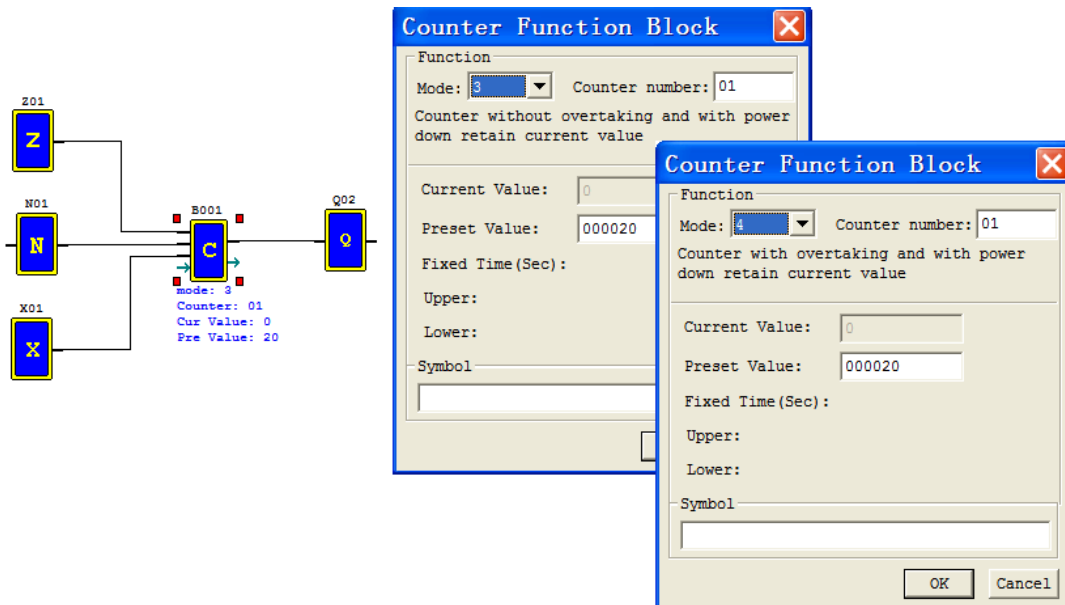


Note: The “>” means the current value appeared will be greater than present value;

The “PD” means the current value will be retain until the power recover;

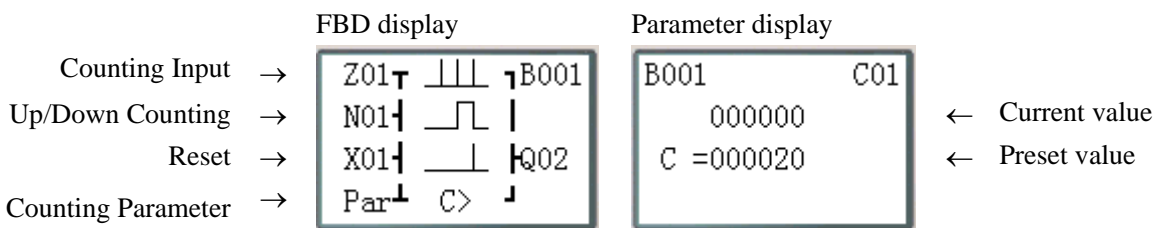
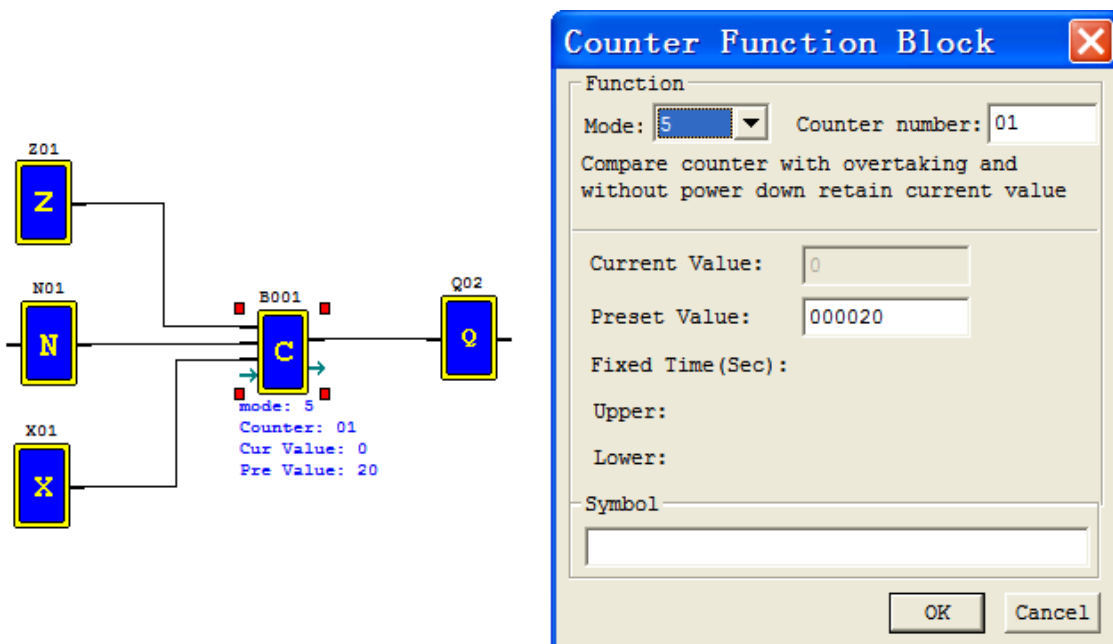
This mode is similar to mode 2, but:

- ✘ First 31 Counter functions (C01~C1F) can keep their current value after a loss of power to the smart relay.
- ✘ The current counter value will be kept when the smart switches between RUN and STOP if “C-keep” is active.

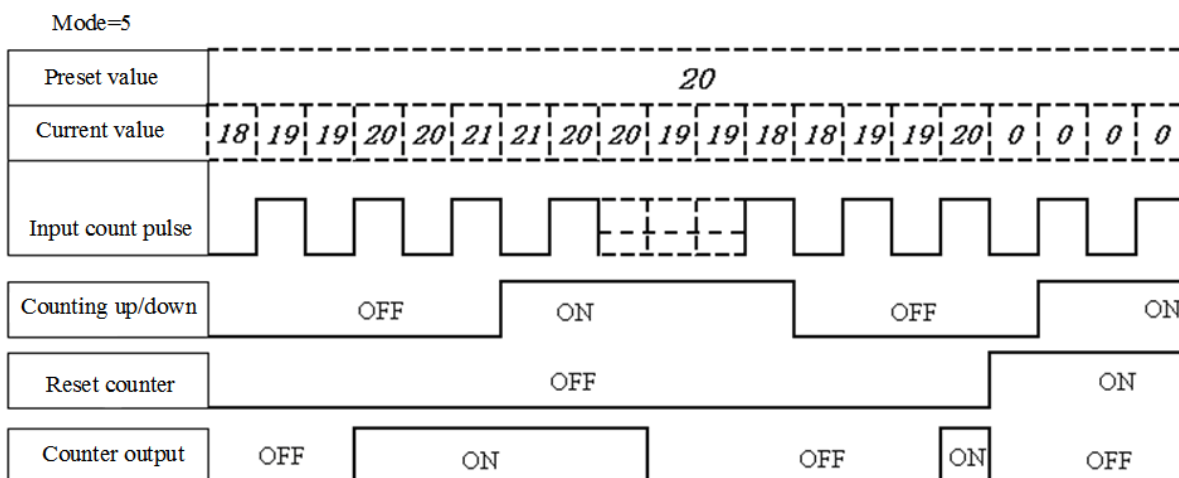


(6) Counter Mode 5 (Continuous Count, Up-Down Count, Non-Retentive)

Mode 5 Counter's operation is similar to Mode 2 except its current count value is continuous and non-retentive. The status bit is fixed to the non-zero preset value regardless of the state of the direction bit. Its status bit will be ON when the counter current value isn't less than its preset value, and will be OFF when the current value is less than its preset value.



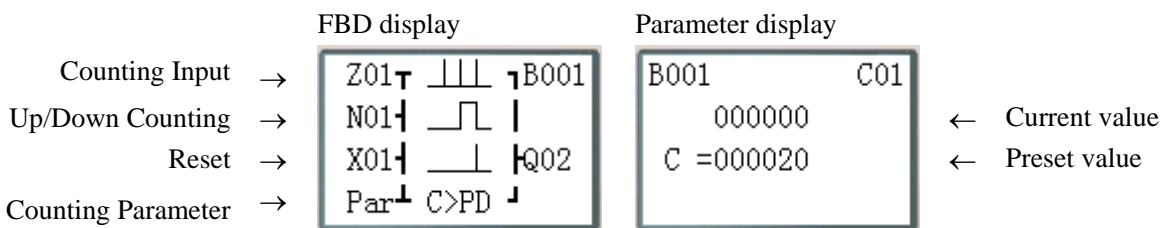
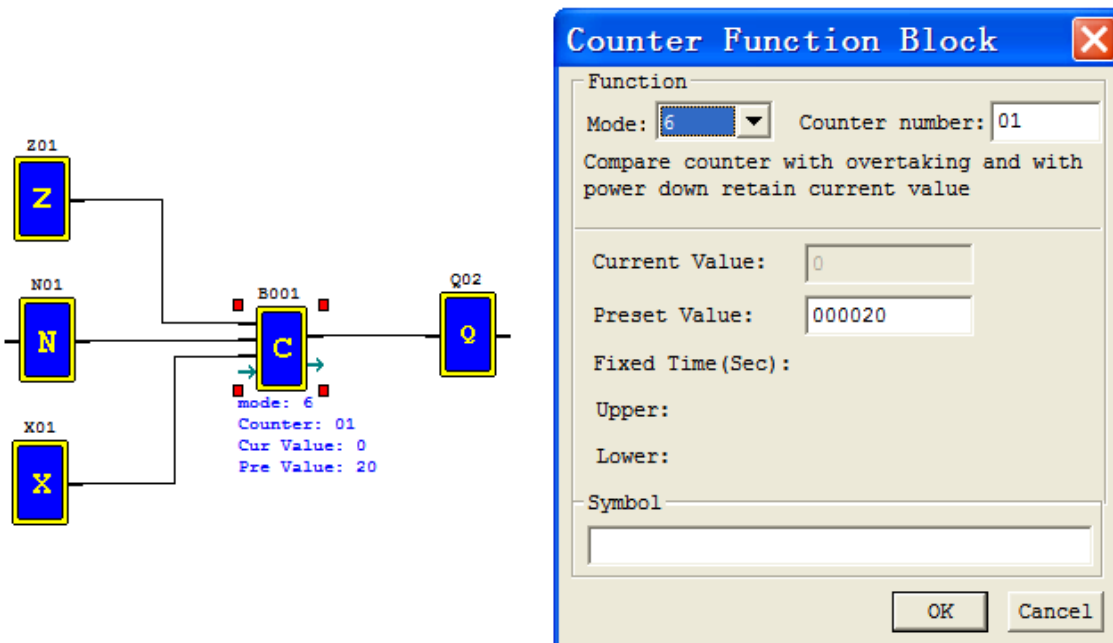
Note: The "C" means compare count;
The ">" means the current value appeared will be greater than present value.



- ✘ Under this mode, the count will continuous after reaching its preset value;
- ✘ The current value is always 0 regardless of the state of its direction bit when the reset is availability;
- ✘ The current value is always 0 regardless of the state of its direction bit when the smart switches between RUN and STOP.

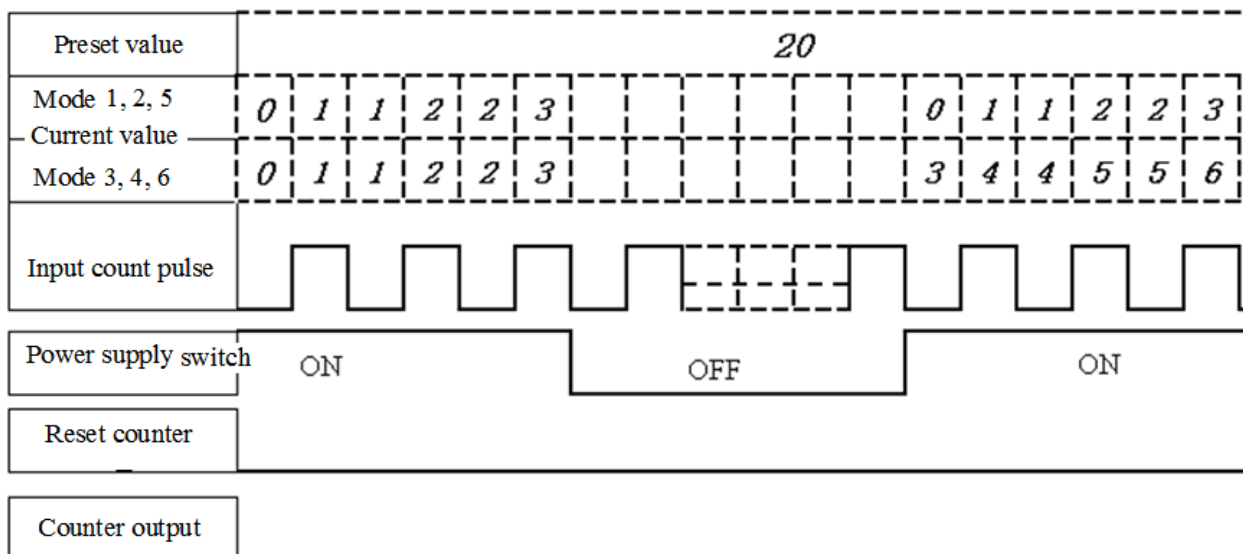
(6) Counter Mode 6(Continuous Count, Up-Down Count, Retentive)

Mode 6 Counter's operation is similar to Mode 5 except its current count value is continuous and retentive.



Note: The "C" means compare count;
 The ">" means the current value appeared will be greater than present value;
 The "PD" means the current value will be retain until the power recover;

- ※ First 31 Counter functions (C01~C1F) can keep their current value after a loss of power to the smart relay.
- ※ The current counter value will be kept when the smart switches between RUN and STOP if "C-keep" is active.

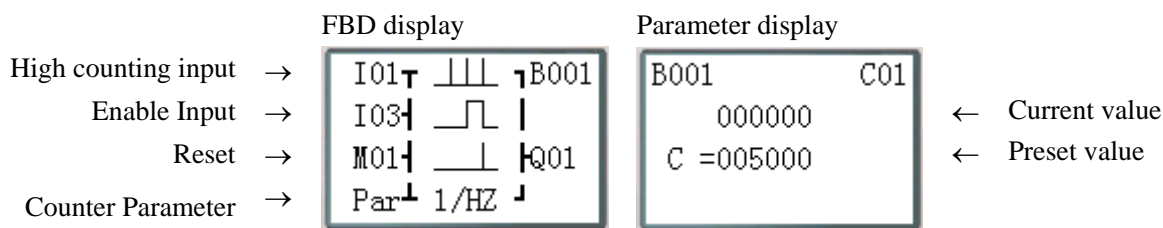
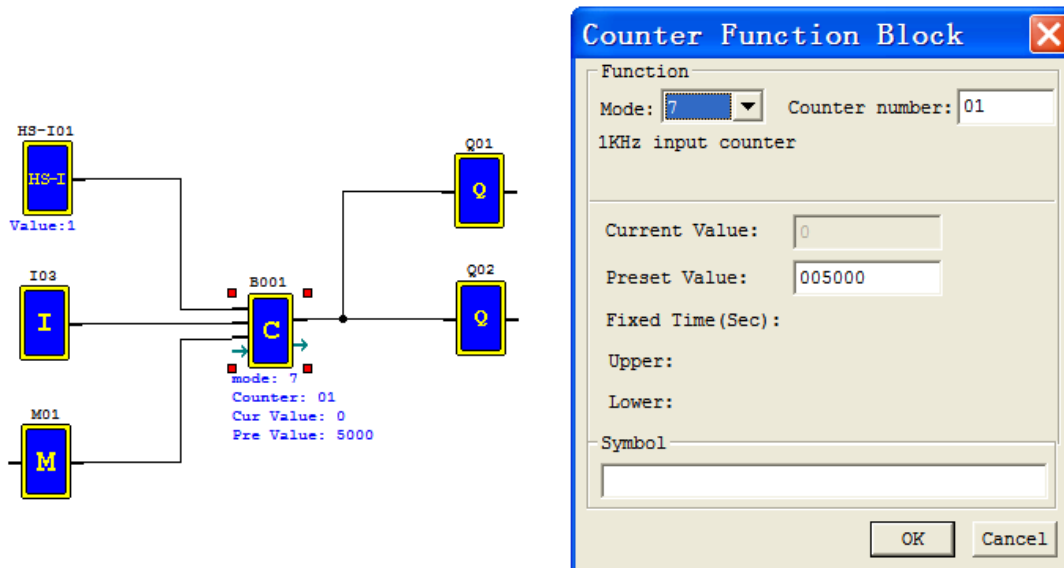


High Speed Counter Function Block (DC Version Only)

The DC powered version smart relays include two 1 KHz high speed inputs on terminal I01 and I02. These can be used as general purpose DC inputs or can be wired to a high speed input device (encoder, etc.) when configured for high speed counting.

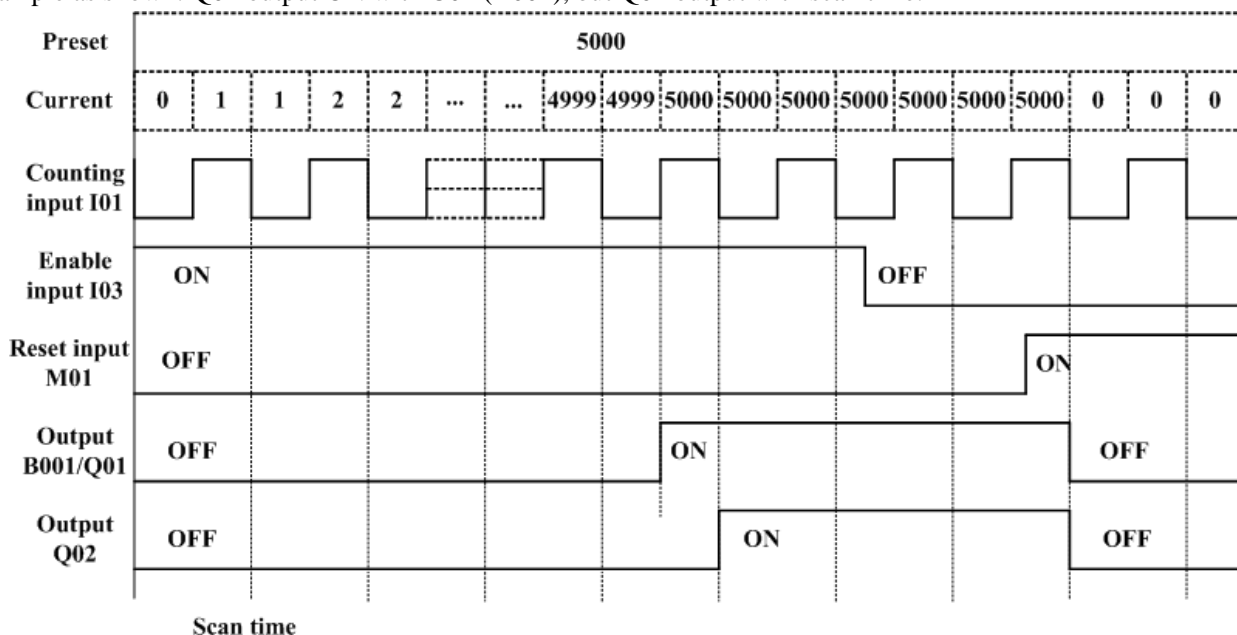
(1) Counter Mode 7 (DC powered versions only)

The Mode 7 High Speed Counter can use either input terminals I01 or I02 for forward up-counting to 1 KHz maximum at 24VDC high speed input signal. The selected Counter Coil (B) will turn ON when the pulse count reaches preset value and remain ON. The counter will reset when the Reset Input is active.



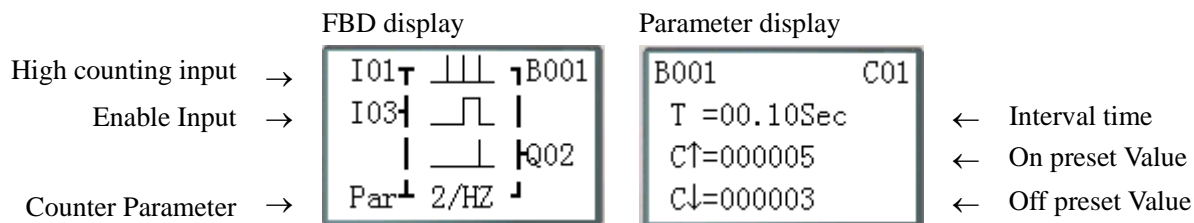
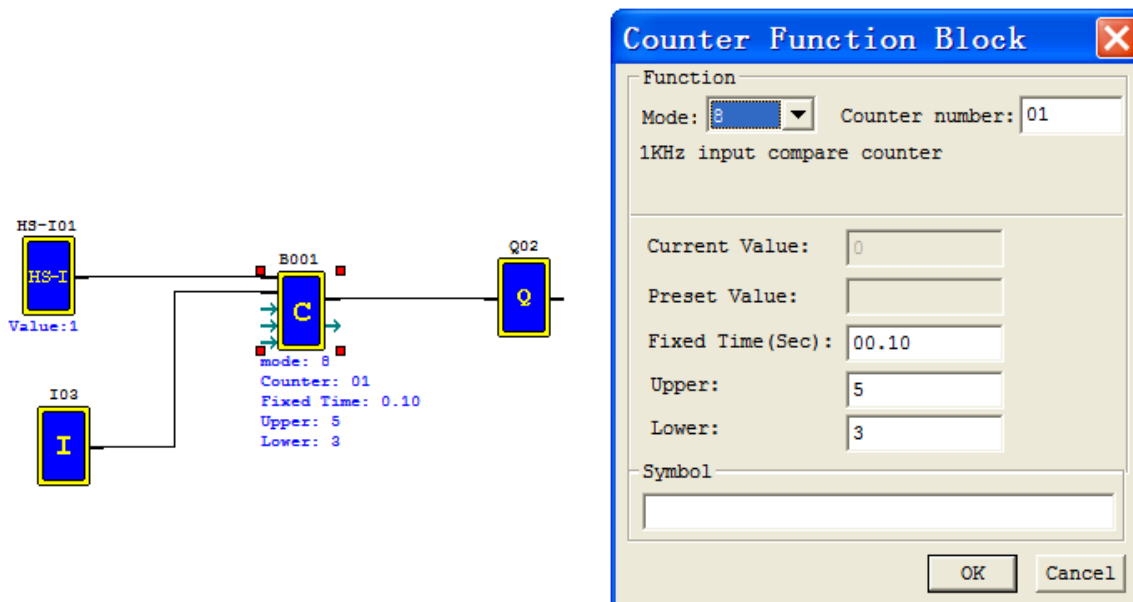
Note: High speed input terminal I01,I02

Example as shown: Q01 output ON with C01 (B001), but Q01 output with scan time.

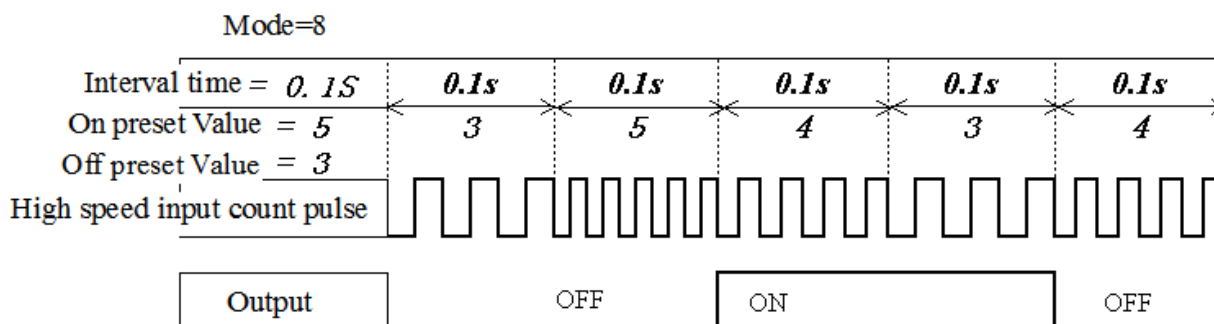


(2) Counter Mode 8 (DC powered versions only)

The Mode 8 High Speed Counter can use either input terminals I01 or I02 for forward up-counting to 1 KHz maximum at 24VDC high speed input signal. The selected Counter Coil (C01-C1F) will turn ON when the pulse count reaches the target “Preset ON” value and remain ON until the pulse count reaches the target “Preset OFF” value. The counter will reset when the preceding rung is inactive.



Note: High speed input terminal I01,I02

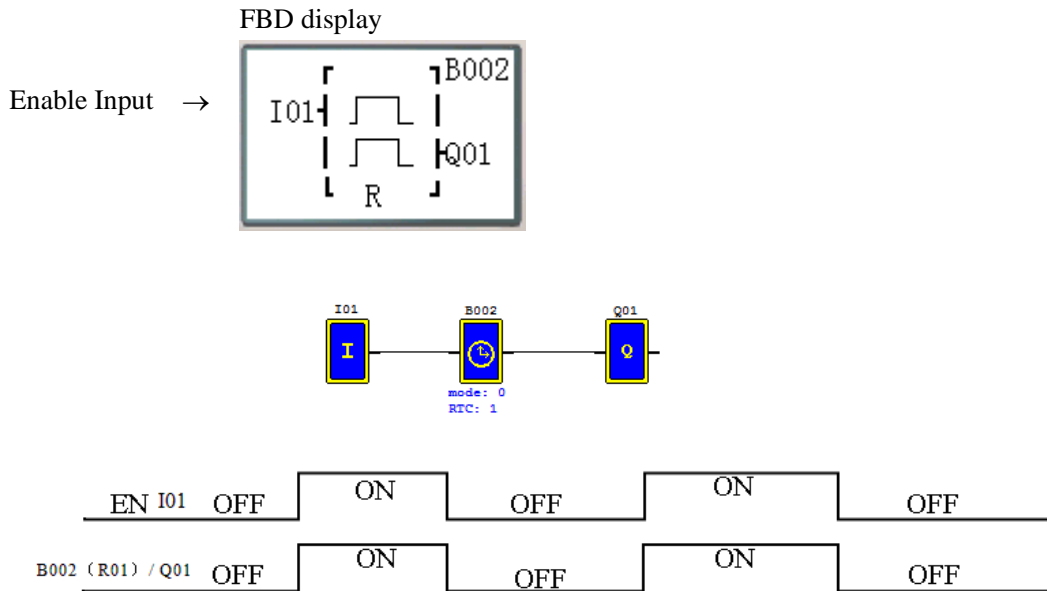


RTC Comparator Function Block

There is a maximum of 250 RTC function blocks under FBD mode, can be set mode 0~4 and the function is same as Ladder mode.

(1) RTC Mode 0(Internal Coil)

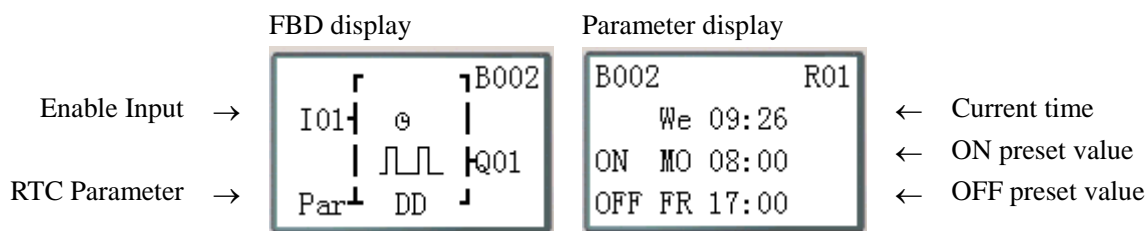
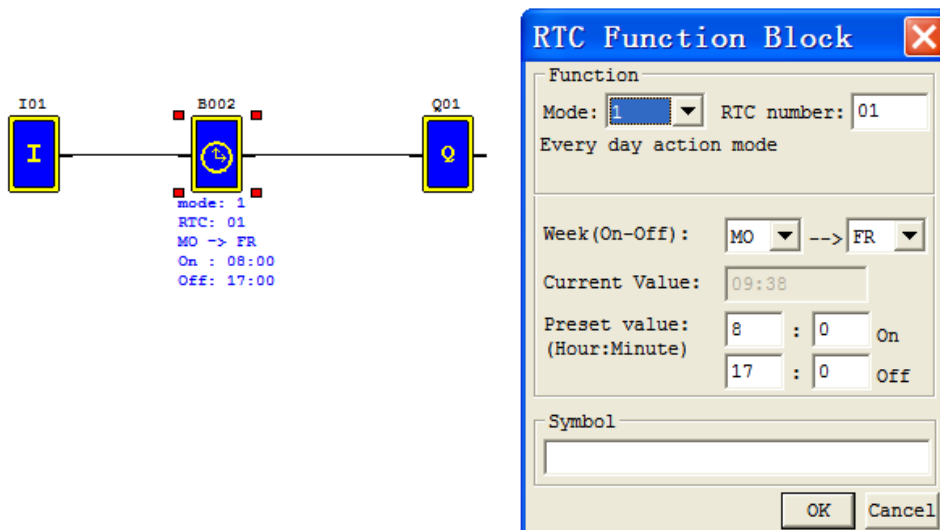
Mode 0 RTC (Internal Coil) used as internal auxiliary coils. No timer preset value and no parameter display.



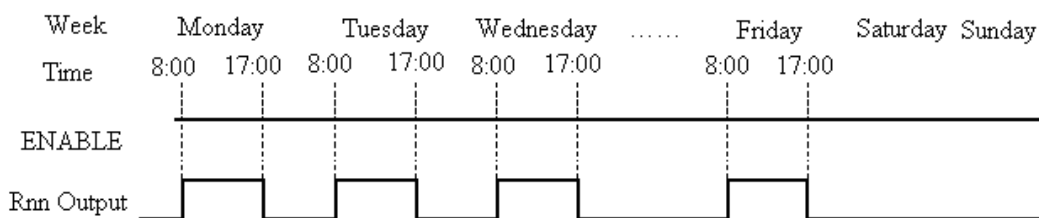
(2) RTC Mode 1(Daily)

The Daily Mode 1 allows the Bxxx (Rxx) coil to active based on a fixed time across a defined set of days per week. The below example1 allows for selection of the number of days per week (i.e. Mon-Fri) and the Day and Time for the B002 (R01) coil to activate ON, and the Day and Time for the B002 (R01) coil to deactivate OFF.

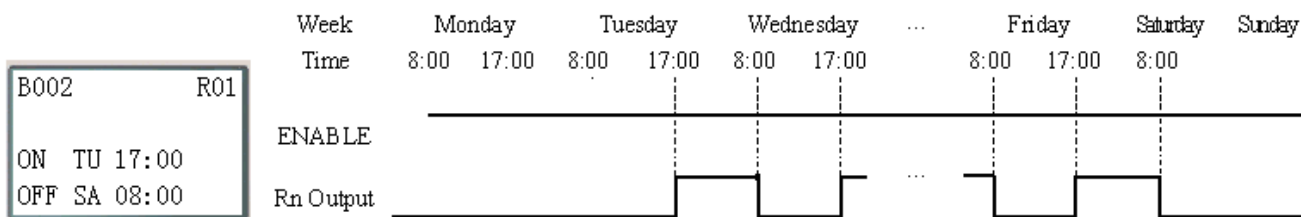
Example 1:



Note: Parameter display current time: week, hour and minute;
 Parameter display ON/OFF preset value: week, hour and minute.



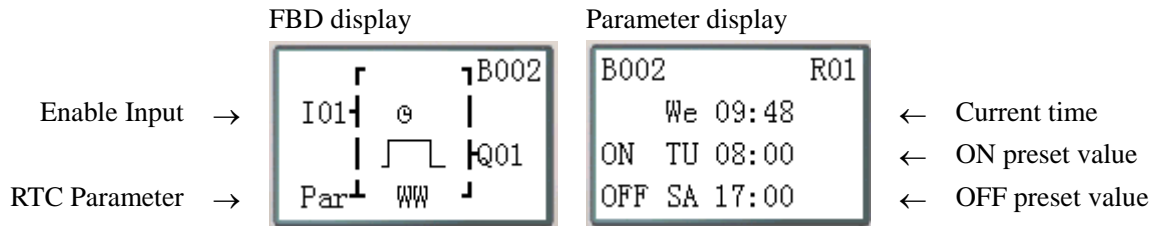
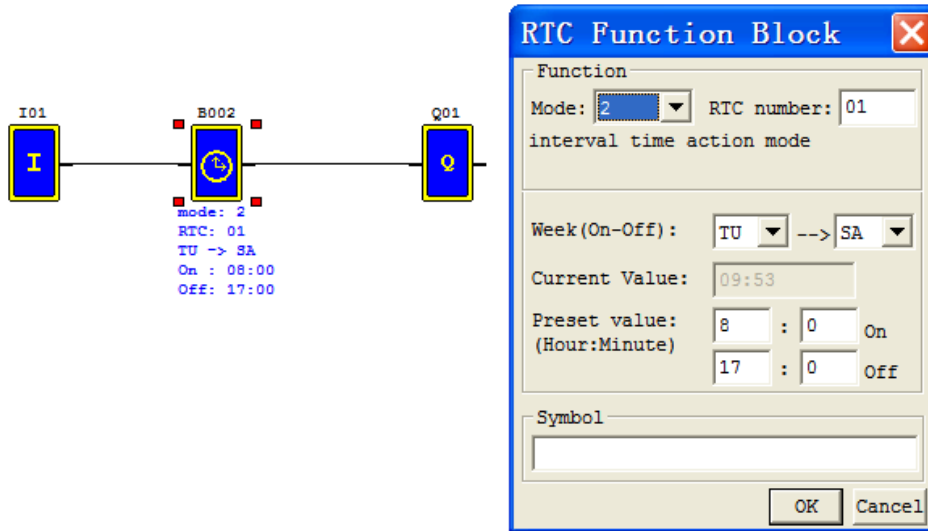
Example 2:



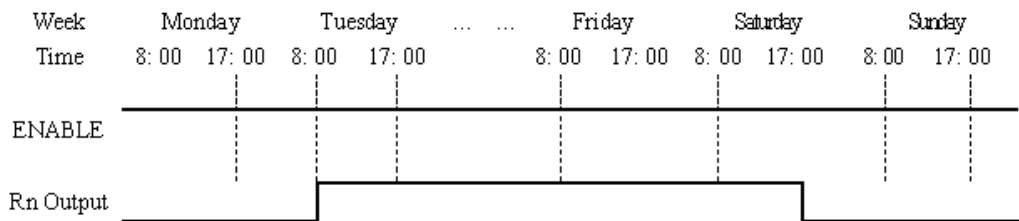
(3) RTC Mode 2 (Continuous)

The Interval Time Mode 2 allows the Bxxx (Rxx) coil to activate based on time and day per week. The below example1 allows for selection of Day and Time for the B002 (R01) coil to activate ON, and Day and Time for the B002 (R01) coil to deactivate OFF.

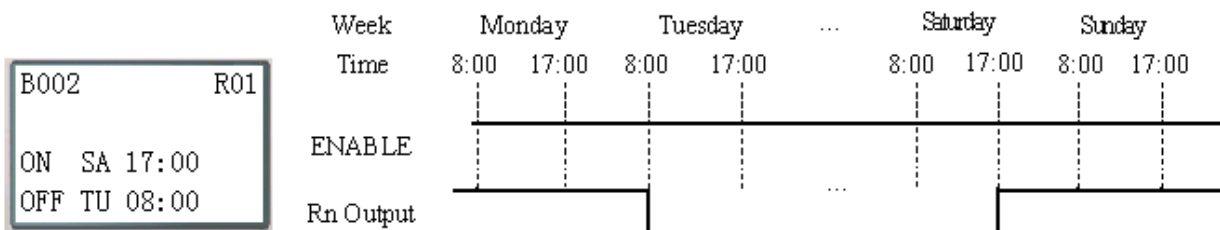
Example 1:



Note: Parameter display current time: week, hour and minute;
Parameter display ON/OFF preset value: week, hour and minute.



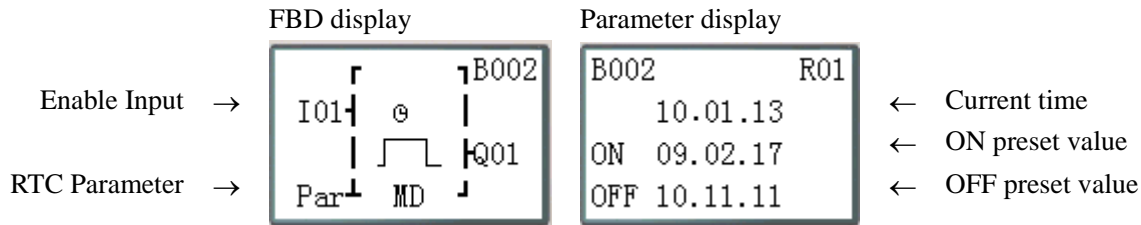
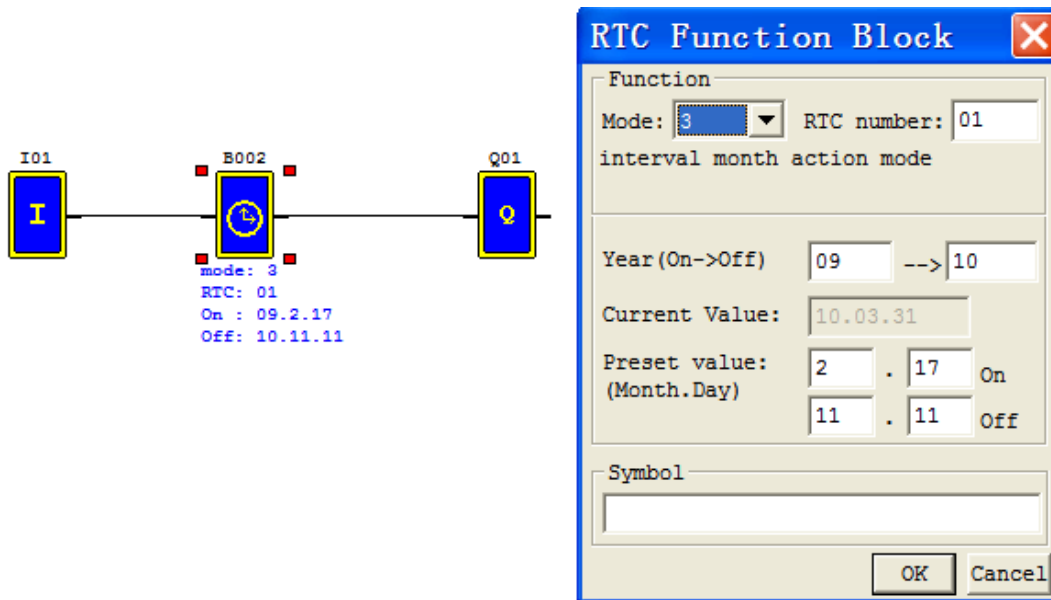
Example 2:



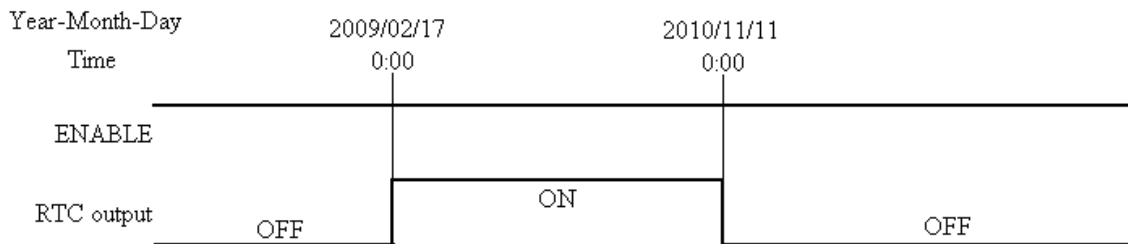
(4) RTC Mode 3 (Year Month Day)

The Year-Month-Day Mode 3 allows the Bxxx (Rxx) coil to activate based on Year, Month, and Date. The below example1 allows for selection of Year and Date for the B002 (R01) coil to activate ON, and Year and Date for the B002 (R01) coil to deactivate OFF.

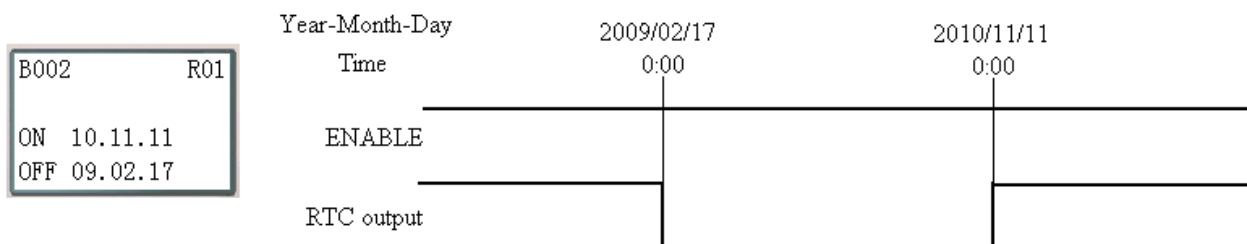
Example 1:



Note: Parameter display current time: year, month and day;
Parameter display ON/OFF preset value: year, month and day.



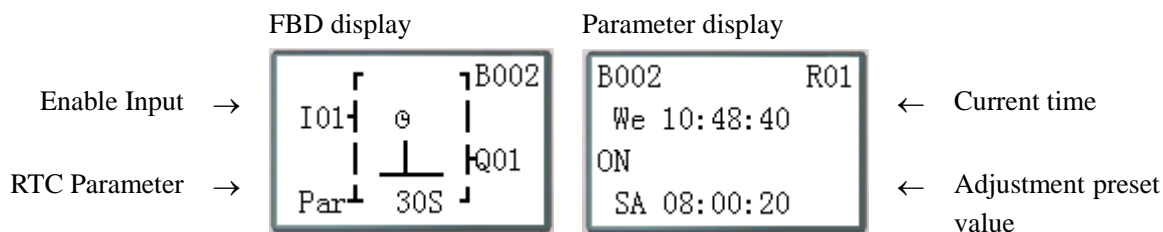
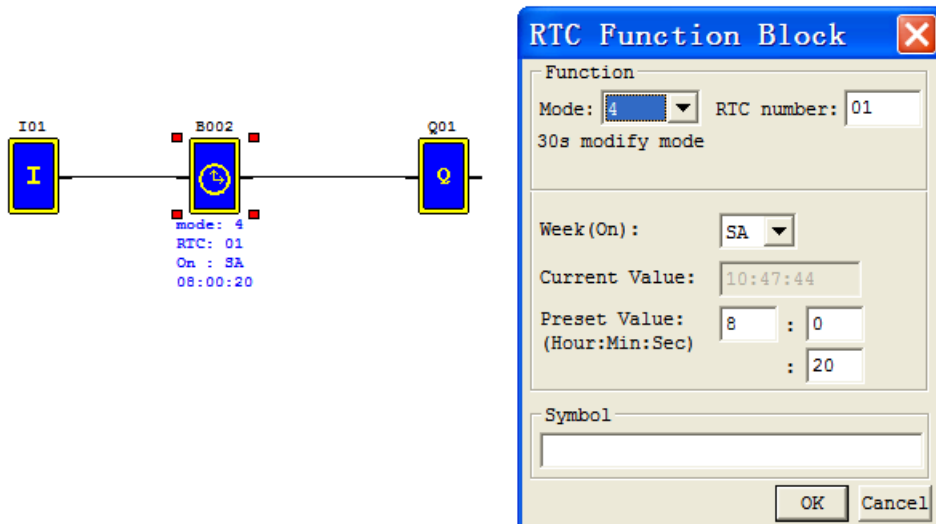
Example 2:



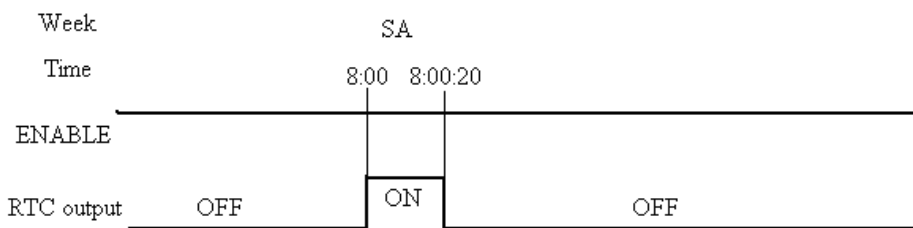
(5) RTC Mode 4(30-second adjustment)

The 30-second adjustment Mode 4 allows the Bxxx (Rxx) coil to activate based on week, hour, minute and second. The below examples show for selection of week, hour, minute and second for the B002 (R01) coil to activate ON, and 30-second adjustment then B002 (R01) OFF.

Example 1: adjustment preset second < 30s

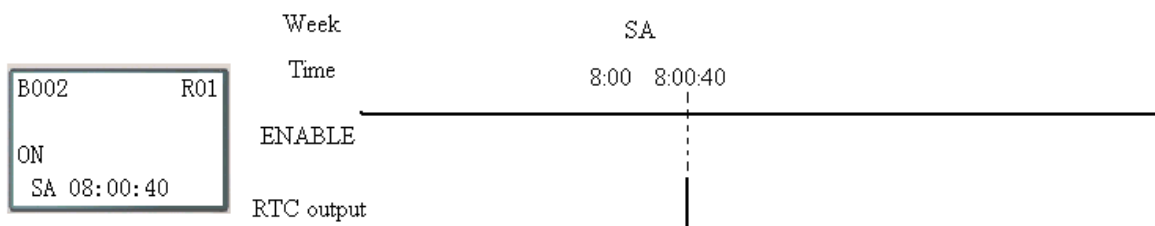


Note: Parameter display current time: week, hour, minute and second;
 Parameter display adjustment preset value: week, hour, minute and second.



✘ The present time will be 8:00:00 when it achieves 8:00:20 at first time, and RTC status bit B002 (R01) will be ON. RTC status bit B002 (R01) will be OFF when the present time achieves 8:00:20 at second time. Then time continuous going. So, this means that RTC status bit is ON for 21 seconds.

Example 2: adjustment preset second >= 30s



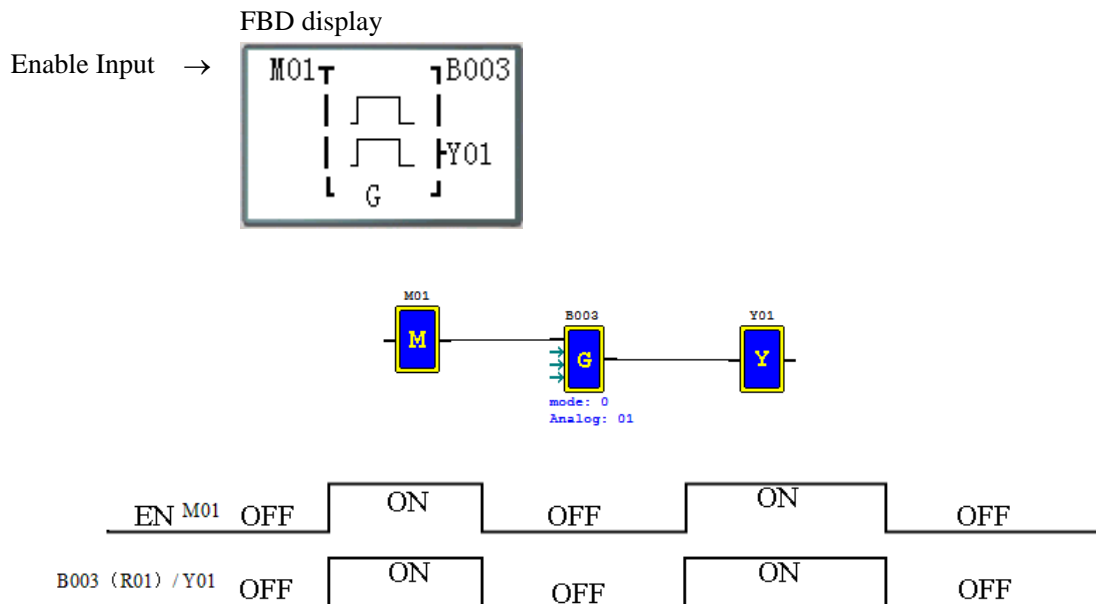
✘ The present time will change to be 8:01:00 when it achieves 8:00:40, and RTC status bit B002 (R01) turns ON. Then time is gonging on and B002 (R01) turns OFF. This means that the RTC status bit will be ON for one pulse.

Analog Comparator Function Block

There is a maximum of 250 analog comparator function blocks under FBD mode, can be set mode 0~7 and the function is same as Ladder mode.

(1) Analog Comparison Mode 0 (Internal coil)

Mode 0 analog comparator (Internal Coil) used as internal auxiliary coils. No timer preset value and no parameter display.



(2) Analog Comparison Mode 1~7

Analog comparator mode 1~7, setting three parameters, analog input Ax, analog input Ay and reference value G.

Analog Comparator mode 1: $(Ay - \text{reference value } G) \leq Ax \leq (Ay + \text{reference value } G)$, output ON;

Analog Comparator mode 2: $Ax \leq Ay$, output ON;

Analog Comparator mode 3: $Ax \geq Ay$, output ON;

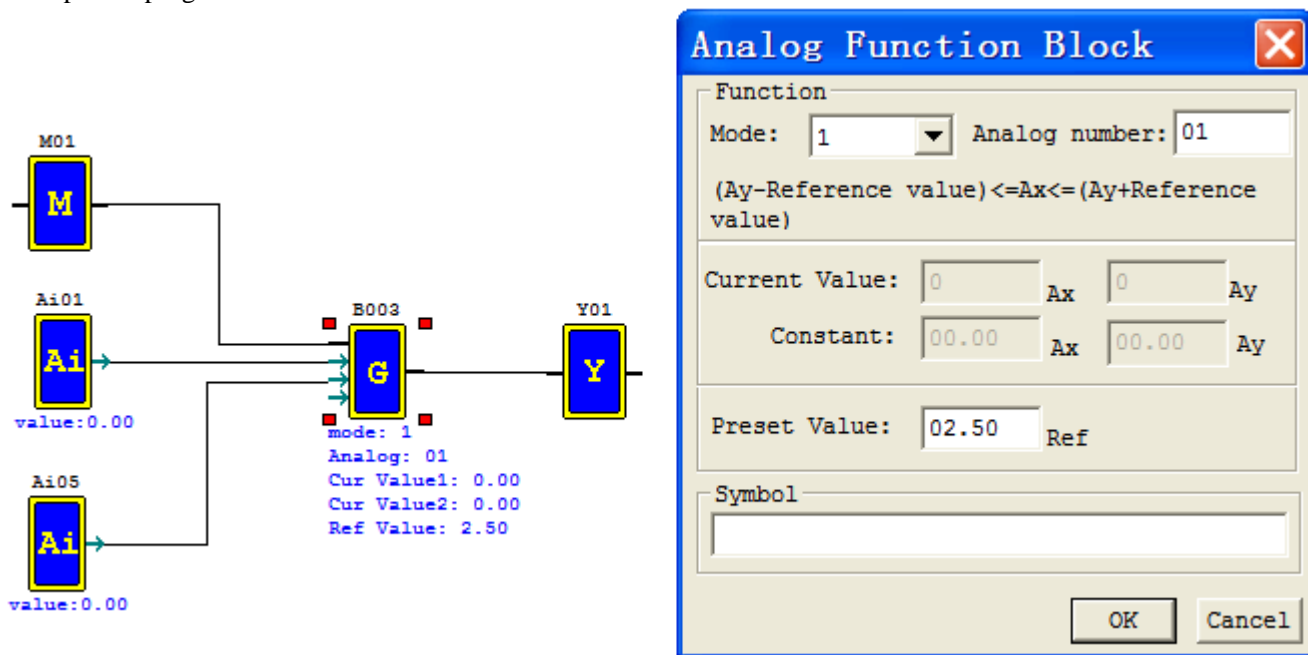
Analog Comparator mode 4: reference value $G \geq Ax$, output ON;

Analog Comparator mode 5: reference value $G \leq Ax$, output ON;

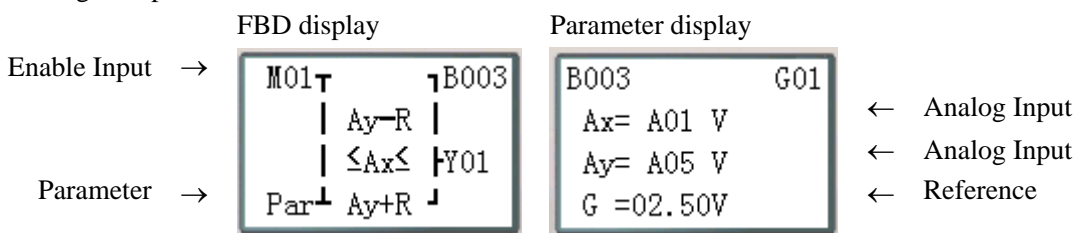
Analog Comparator mode 6: reference value $G = Ax$, output ON;

Analog Comparator mode 7: reference value $G \neq Ax$, output ON;

Example for program and edit:



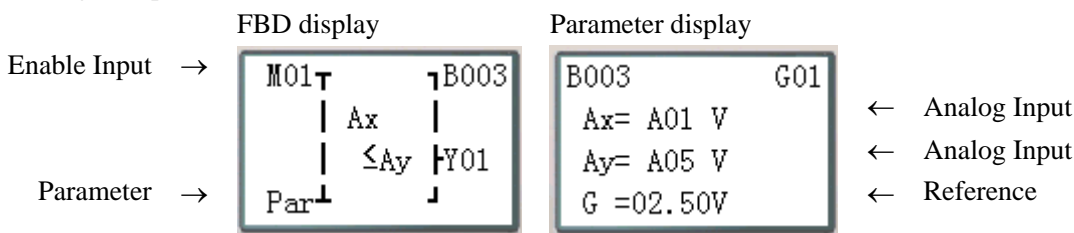
Analog Comparison Mode 1



B003 (G01) output ON when the value of A01 in between $(A05 - 2.50) \sim (A05 + 2.50)$;

Parameter display current value of Ax and Ay when running mode;

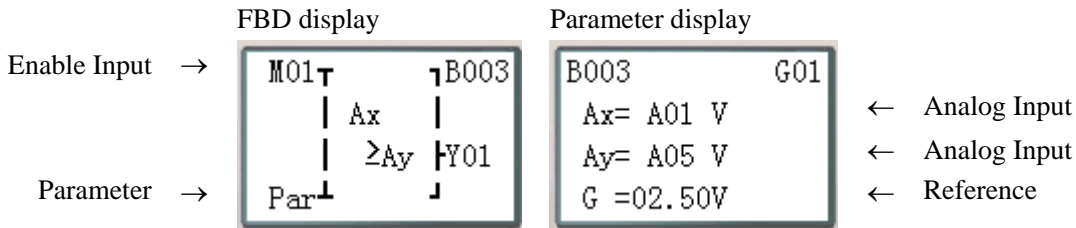
Analog Comparison Mode 2



B003 (G01) output ON when the value of A01 is not greater than the value of A05;

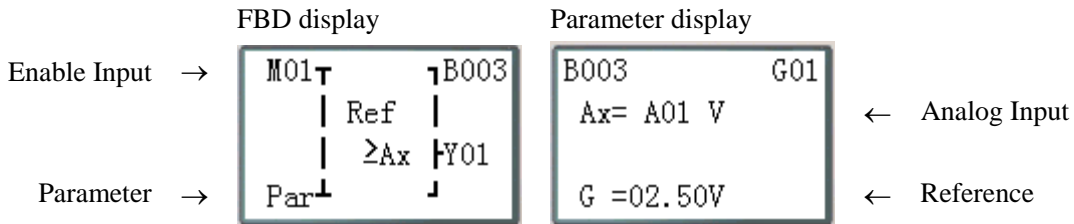
Parameter display current value of Ax and Ay when running mode;

Analog Comparison Mode 3



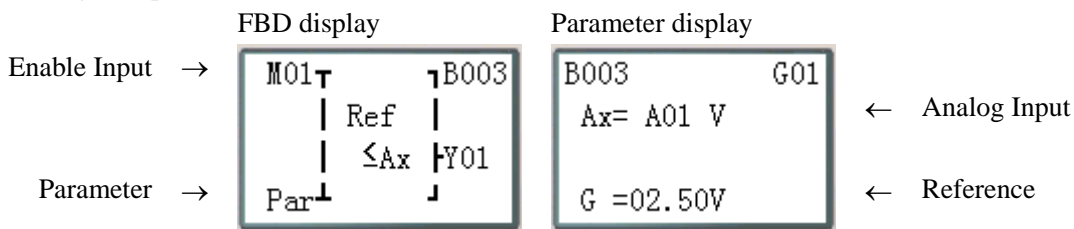
B003 (G01) output ON when the value of A01 is not lower than the value of A05;
Parameter display current value of Ax and Ay when running mode;

Analog Comparison Mode 4



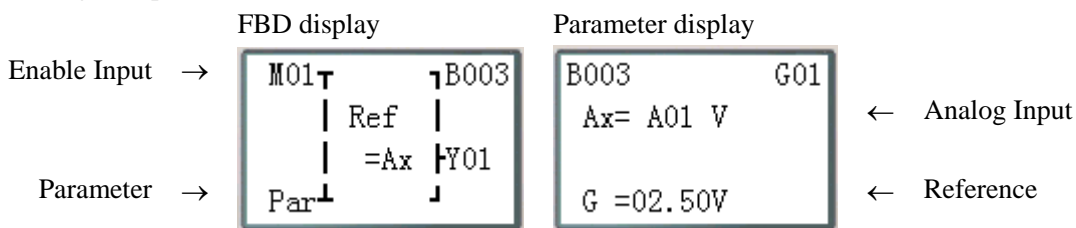
B003 (G01) output ON when the value of A01 is not greater than 2.50;
Parameter display current value of Ax when running mode;

Analog Comparison Mode 5



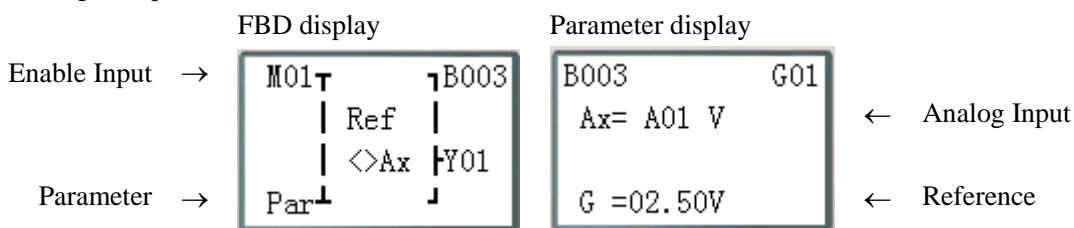
B003 (G01) output ON when the value of A01 is not low than 2.50;
Parameter display current value of Ax when running mode;

Analog Comparison Mode 6



B003 (G01) output ON when the value of A01 is equal to 2.50;
Parameter display current value of Ax when running mode;

Analog Comparison Mode 7



B003 (G01) output ON when the value of A01 is not equal to 2.50;
Parameter display current value of Ax when running mode;

AS (ADD-SUB) function block

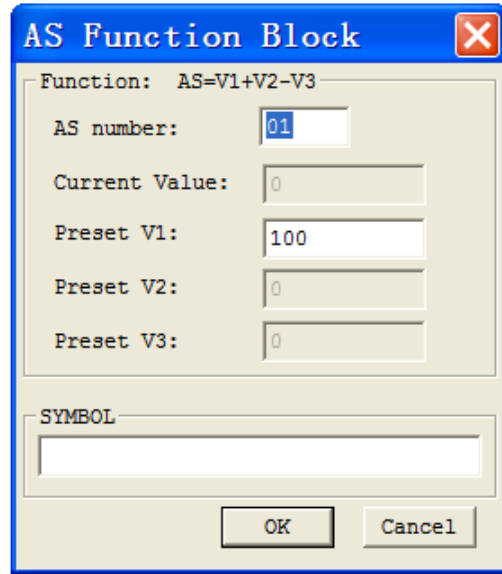
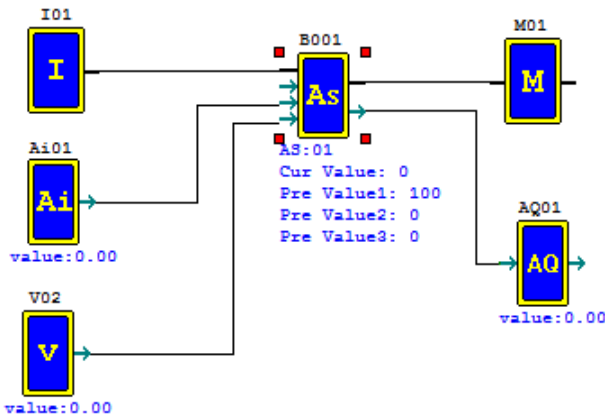
There is a maximum of 250 AS (Addition and Subtraction) function blocks under FBD mode, and the function is same as Ladder mode.

Compute formula: $AS = V1 + V2 - V3$

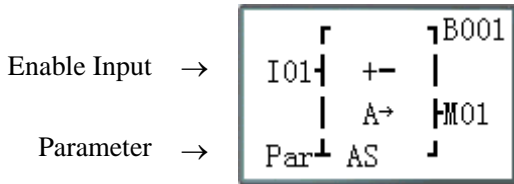
Parameters V1, V2, and V3 can be a constant or other function current value. The output coil will be set to 1 when the result is overflow.

Example:

$AQ01 = AS01 = 100 + A01 - V02$



FBD display:



Parameter display:

	Stopping	Running	
Preset V1	B001 AS01	B001 00404 AS01	← AS output value
Preset V2	V1= 00100	V1= 00100	← Current value V1
Preset V3	V2= A01	V2= 00424	← Current value V2
	V3= V02	V3= 00120	← Current value V3

AS and V1~V3, values range from -32768~32767

MD (MUL-DIV) function block

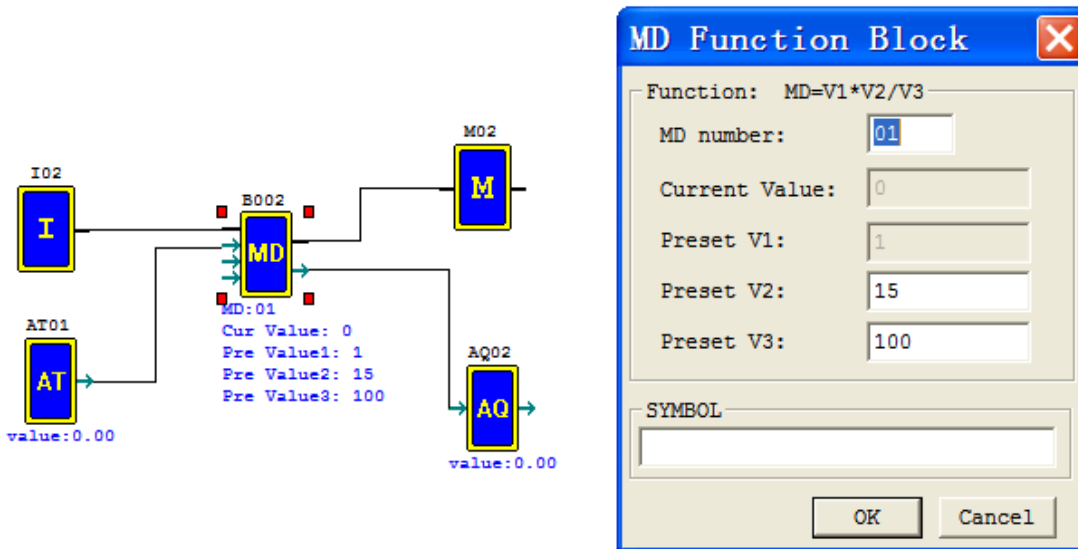
There is a maximum of 250 MD (Multiplication and Division) function blocks under FBD mode, and the function is same as Ladder mode.

Compute formula: $MD = V1 * V2 / V3$

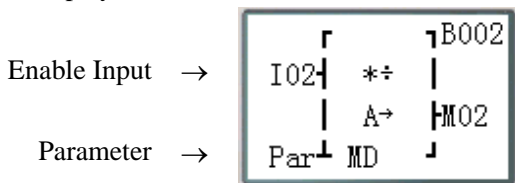
Parameters V1, V2, and V3 can be a constant or other function current value. The output coil will be set to 1 when the result is overflow or parameter V3 is zero.

Example:

$AQ02 = MD01 = AT01 * 15 / 100$



FBD display:



Parameter display:

	Stopping	Running	
Preset V1	V1= AT01	V1= 01227	← MD output value
Preset V2	V2= 00015	V2= 00015	← Current value V1
Preset V3	V3= 00100	V3= 00100	← Current value V2
			← Current value V3

MD and V1~V3, values range from -32768~32767

PID (Proportion- Integral- Differential) function block

There is a maximum of 30 PI (PID) function blocks under FBD mode, and the function is same as Ladder mode.

PID computes formula:

$$EV_n = SV - PV_n$$

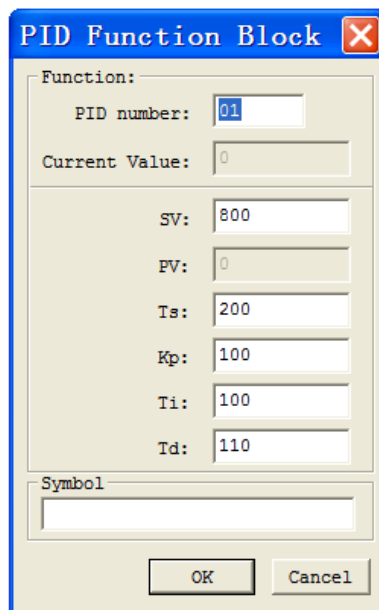
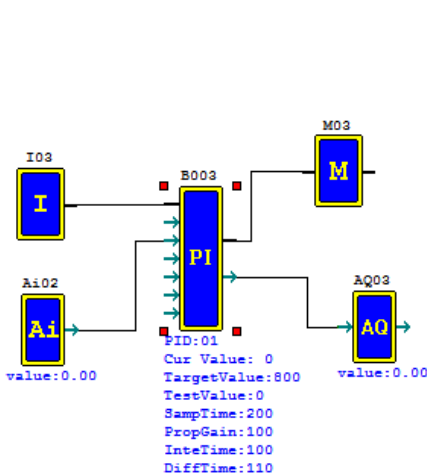
$$\Delta PI = K_P \left\{ (EV_n - EV_{n-1}) + \frac{T_s}{T_I} EV_n + D_n \right\}$$

$$D_n = \frac{T_D}{T_s} (2PV_{n-1} - PV_n - PV_{n-2})$$

$$PI = \sum \Delta PI$$

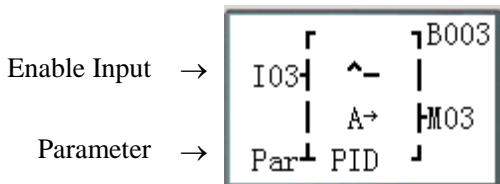
Parameters can be constant or other function current value. The output coil will turn ON when either T_s or K_P is 0.

Example:

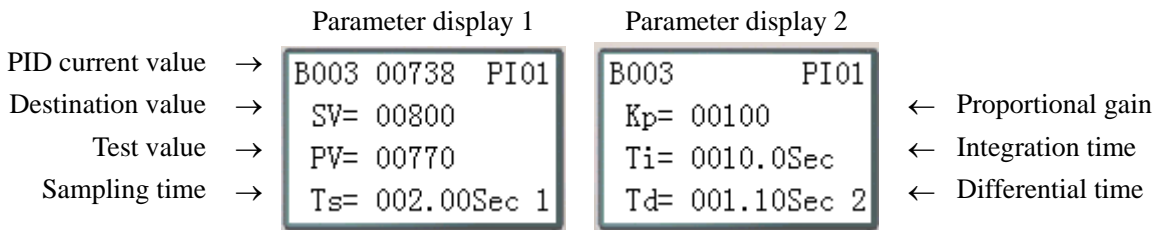


PI: PID current value (-32768~32767)
SV: Destination value (-32768~32767)
PV: Test value (-32768~32767)
T_s : Sampling time (1~32767 * 0.01s)
K_P : Proportional gain (1~32767 %)
T_I : Integration time (1~32767 * 0.1s)
T_D : Differential time (1~32767 * 0.01s)

FBD display:



Parameter display:



- ※ Display PID current value when running mode;
- ※ Test value (PV) display code A02 when stopping mode, and display current value (as example PV= 00770) when running mode.
- ※ Press “SEL+←→” button can convert between display1 and display2.
- ※ More information about PID function to see [Chapter 4: Relay Ladder Logic Programming—PID](#).

MX (Multiplexer) function block

There is a maximum of 250 MX (Multiplexer) function blocks under FBD mode, and the function is same as Ladder mode.

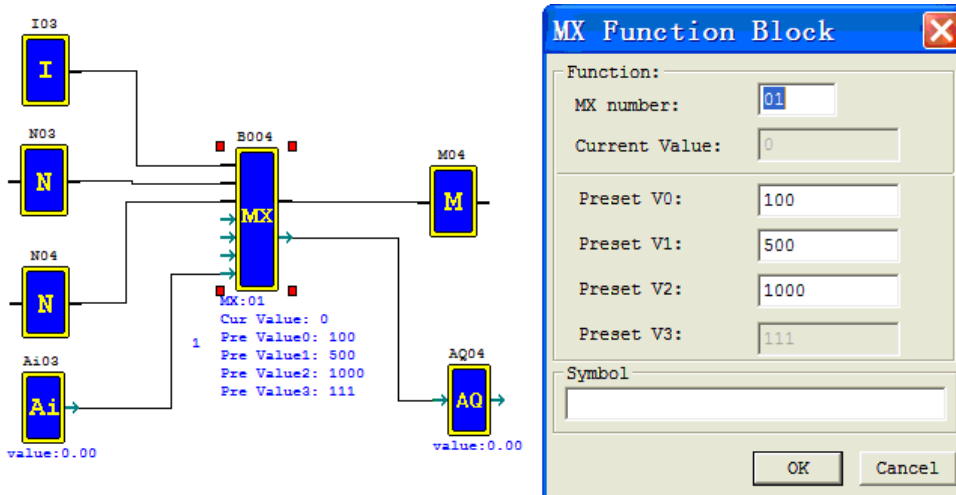
This special function transmits 0 or one of 4 preset values to MX current value memory by selection control coils S1 and S2. The MX function enables simple operations to be carried out on integers.

The preset value V1~V4 can be constant or other function current value.

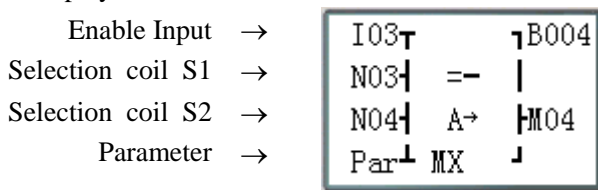
The table below describes the relationship between parameter and MX current value.

Control status		MX output coil	MX output value
MX disable		0	MX = 0
MX enable	S1=0, S2=0	1	MX = V0
	S1=0, S2=1	1	MX = V1
	S1=1, S2=0	1	MX = V2
	S1=1, S2=1	1	MX = V3

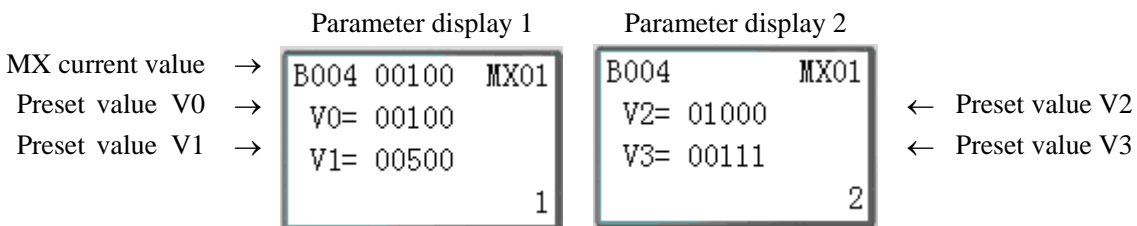
Example:



FBD display:



Parameter display:



- ※ Display MX current value when running mode;
- ※ Preset Value V3, display code A03 when stopping mode and display current value (as example V3=00111) when running mode;
- ※ Press “SEL+←→” button can convert between display1 and display2.
- ※ MX and V0~V3, values range from -32768~32767

AR (Analog-Ramp) function block

There is a maximum of 30 AR (analog ramp control) function blocks under FBD mode, and the function is same as Ladder mode.

(1)AR model

Function description:

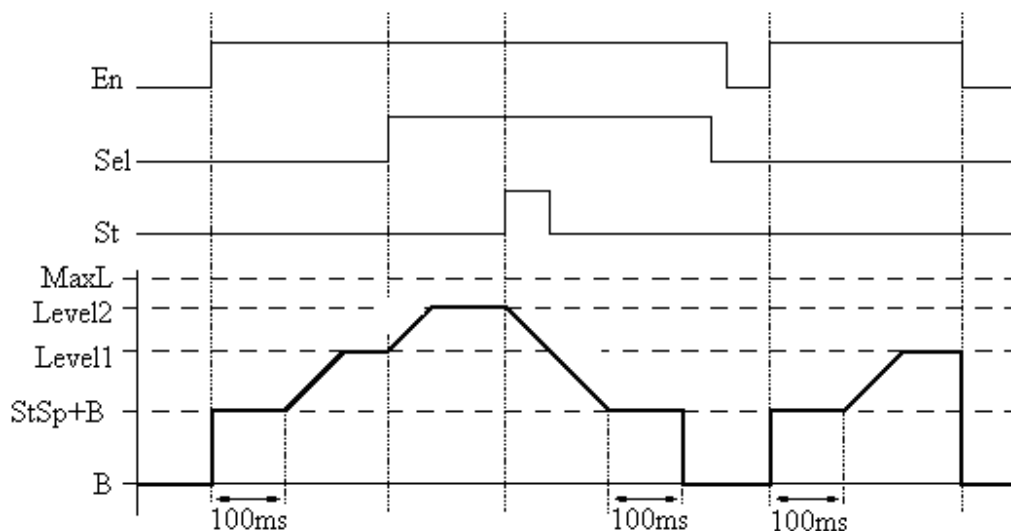
AR will keep the current level at “StSp + Offset “B”” for 100ms when it’s enabled. Then the current level runs from StSp + Offset “B” to target level at enactment Rate. If St is set, the current level decreases from current level to level StSp + B at enactment Rate. Then AR holds the level StSp + Offset “B” for 100ms. After 100ms, AR current level is set to offset “B”, which makes AR current value equals 0.

AR current value: 0~32767
Level1:-10000~20000
Level2:-10000~20000
MaxL (max level):-10000~20000
Start/Stop level (StSp): 0~20000
stepping rate (rate): 1~10000
Proportion (A): 0~10.00
Excursion (B): -10000~10000

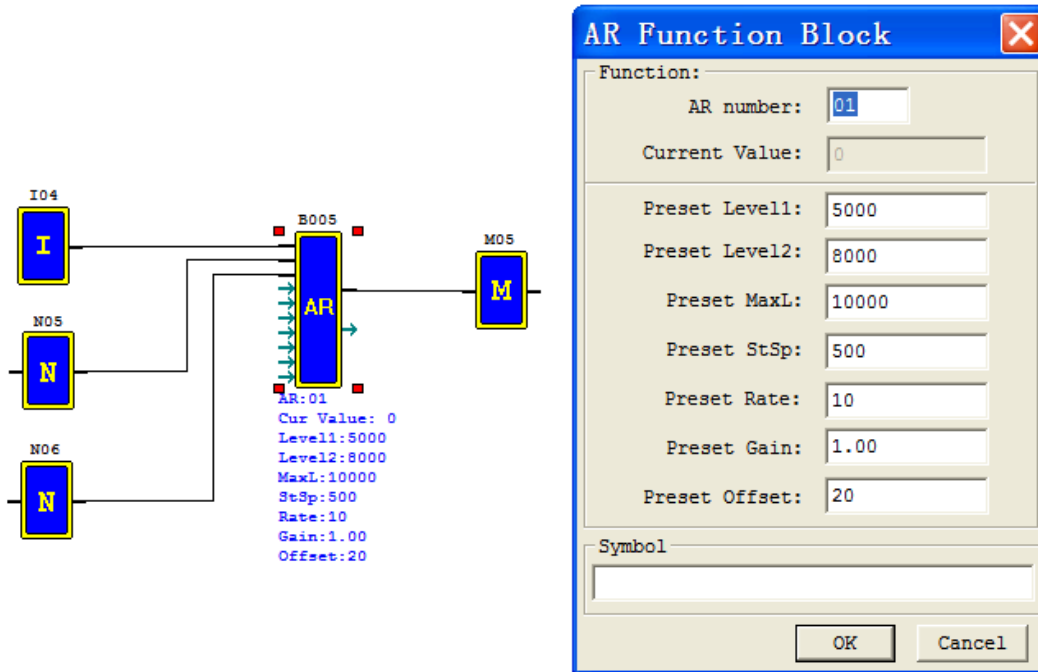
$$AR_current_value = (AR_current_level - B) / A$$

The parameters can be constant or other function current value.

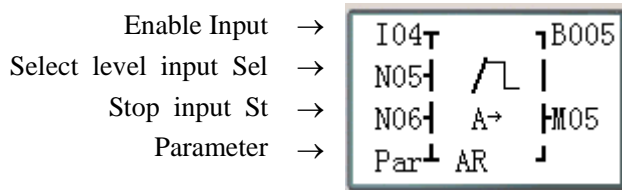
Sel	Selection level Sel = 0: target level = Level1 Sel = 1: target level = Level2 ※ MaxL is used as target level if the selected level is bigger than MaxL.
St	Selection stop coil. The St’s state becomes from 0 to 1 will startup the current level decrease to start/stop level (StSp + excursion “B”), and then keep this level for 100ms. Then AR current level is set to B which will make AR current value equals 0.
Output coil	The output coil turns ON when Proportion (A) is 0.

Timing diagram for AR

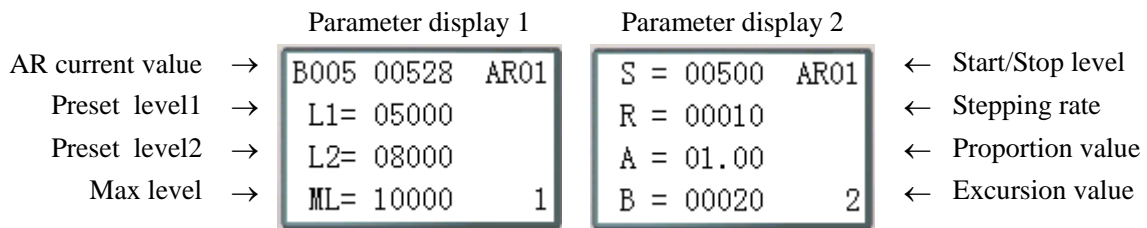
Example:



FBD display:



Parameter display:



- ※ Display AR current value when running mode;
- ※ Press “SEL+←→” button can convert between display1 and display2.

(2)AR mode2

Function description:

AR will vary from 0 to current level at a preset rate when it's enabled. Based on the state of Sel1 and Sel2, current level will change to other preset level at the preset rate. When AR is disabled, current output varies to 0 immediately.

AR current value: 0~32767

Level0:0~32767

Level1:0~32767

Level2:0~32767

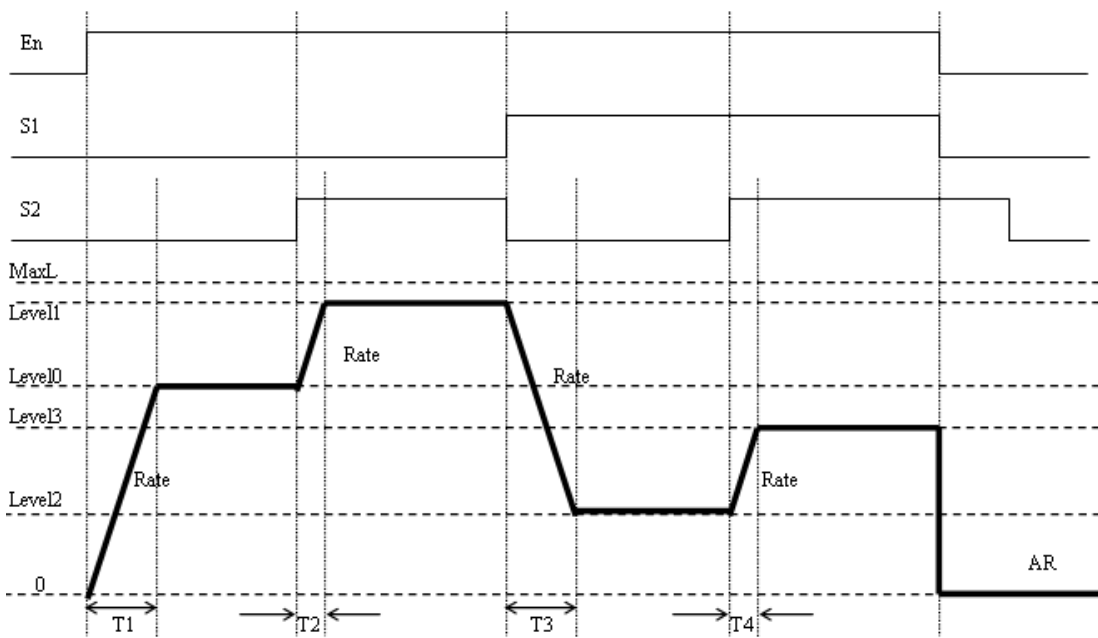
Level3:0~32767

MaxL:0~32767

Ta: 0~3276.7

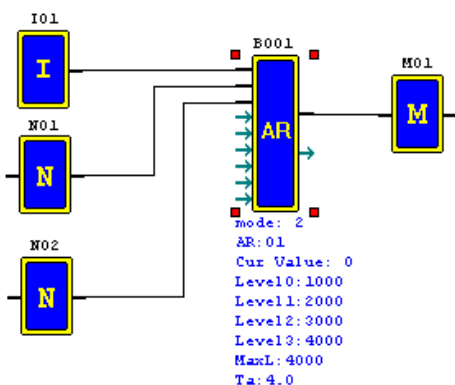
The rate designed by user: $Rate = \frac{MaxL}{Ta}$. The table below describes detail information of each parameter:

Sel1 Sel2	S1=0,S2=0: target level = Level 0; S1=0,S2=1: target level = Level 1; S1=1,S2=0: target level = Level 2; S1=1,S2=1: target level = Level 3;
MaxL	MaxL is used as target level if the selected level is bigger than MaxL.
Ta	The result of MaxL divided by Ta is the change rate from current level to target level.
Output coil	The output coil turns ON when A is 0.

Timing diagram for AR

$$Rate = MaxL/Ta; \quad T1 = Level0 * Ta / MaxL; \quad T2 = (Level1 - Level0) * Ta / MaxL; \\ T3 = (Level1 - Level2) * Ta / MaxL; \quad T4 = (Level3 - Level2) * Ta / MaxL;$$

Example:



AR Function Block

Function:

Mode: 2 AR number: 01

Current Value: 0

Preset Level0: 1000

Preset Level1: 2000

Preset Level2: 3000

Preset Level3: 4000

Preset MaxL: 4000

Preset Ta: 0004.0

Symbol

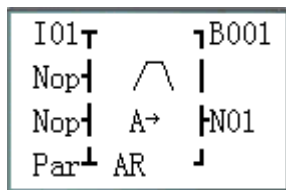
OK
Cancel

FBD display

Parameter display

Program display

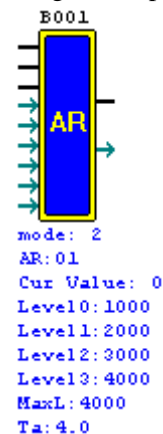
- Enable Input →
- Select 1 →
- Select2 →
- Parameter →



B001	AR01
L0= 01000	
L1= 02000	
L2= 03000	1

SEL+←/→

B001	AR01
L3= 04000	
ML= 04000	
Ta= 0004.0	2



※ Display AR current value when running mode;

DR (Data-Register) function block

There is a maximum of 240 DR (data register) function blocks under FBD mode, and the function is same as Ladder mode.

The DR function is transferring data. DR sends data from prevention registers to current register and output coil Bxxx ON when it's enabled. DR holding the out value and output coil Bxxx OFF when it's disabled.

The data can be signed or unsigned by **Operation>>module system set...** menu selection from the SG2 Client software or keypad set.

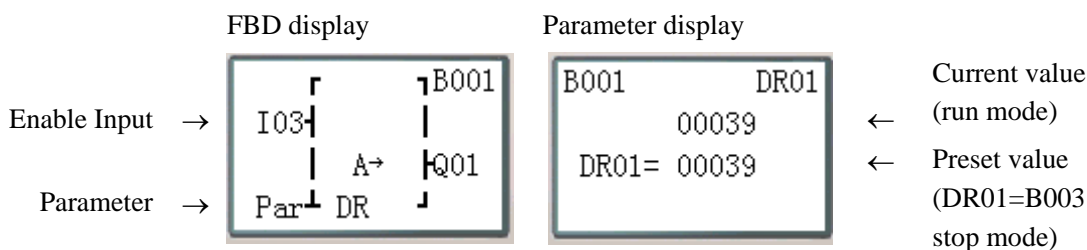
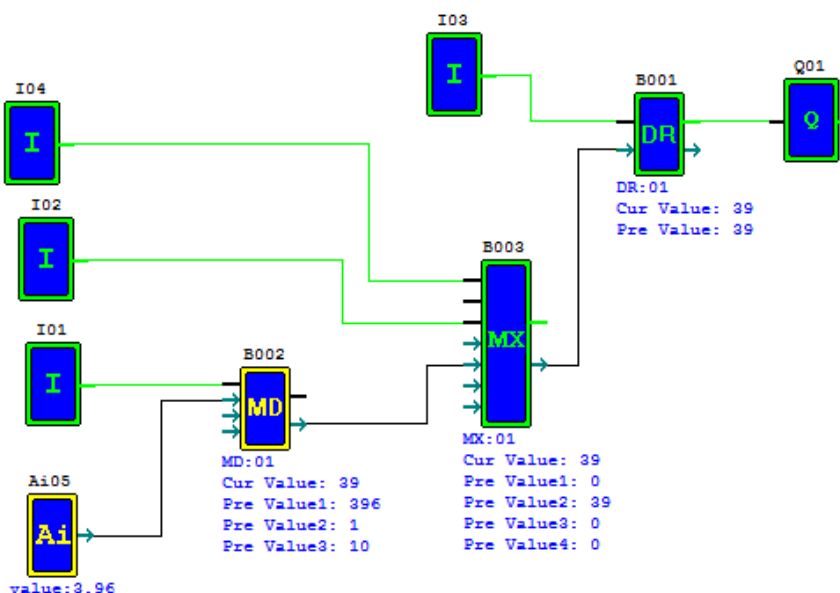
The data registers from DR65 to DRF0 will be kept when the smart stop or powers down.

The last 40 DR that from DRC9 to DRF0 are special data register, more information to see [Chapter 3 Program Tools—Data Register Set](#).

Example:

Setting I02 ON, B001 (DR01) output (A05*1/10) count value;

Setting I02 OFF, B001 (DR01) output 0;



MU (Modbus) function block

There is a maximum of 250 MU (Modbus) function blocks under FBD mode, can be set mode 1~5 and the function is same as Ladder mode.

Remote IO and IO Link are precedence than MU. MU is executed when the system setting is N (No Remote IO) and ID isn't 0.

Function mode corresponding communication function code:

mode	Communication function code
1	03 (read registers)
2	06 (write single register)
3	10 (write multiple registers)
4	01 (read coils)
5	05 (write single coil)

✘ The max data length for Mode 1 and 3 is 25words. The max data length for Mode 4 is 400bits.

The coil used in MU function:

M3D: Received	M3D is set to ON after received, then check-up for error. Transferring data to target address if there is no error.
M3E: Error flag	communication error flag
M3F: Time out flag	M3F is set to 1 when the time from after sending to start receiving is longer than setting, and M3D also be set to 1. M3F is automatically reset if M3D reset.

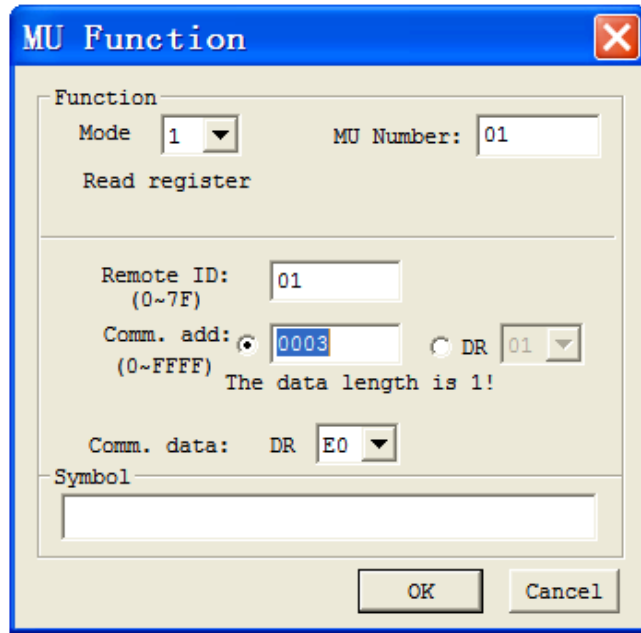
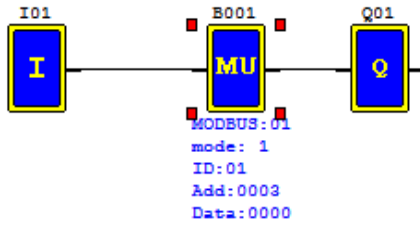
The time out time is depending communication baud rate as shown in the table below:

Baud rate (bps)	Time out (ms)
4800、9600、19200、38400	125
57600	100
115200	80

✘ More information about communication to see: [Chapter 7 20 Points RS485 type Models Instruction](#).

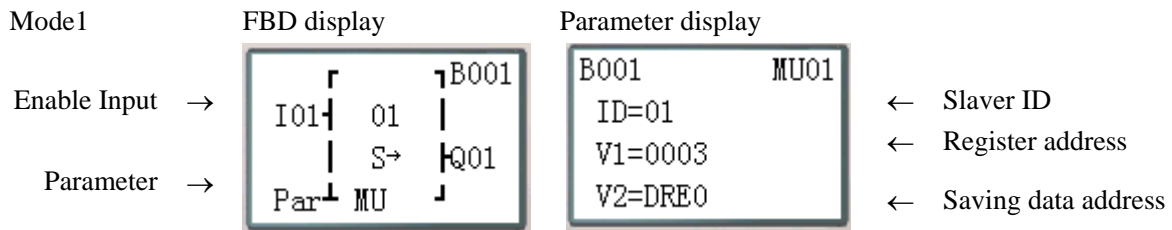
MU model: Read Registers

Setting communication address is constant:

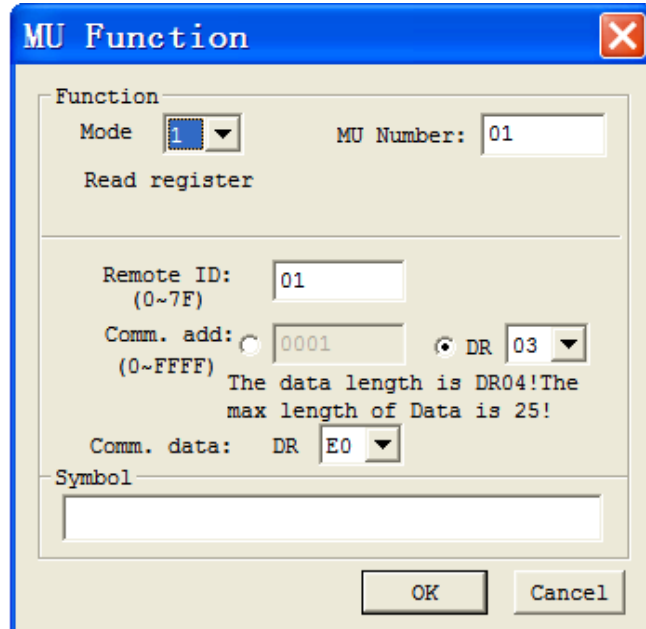
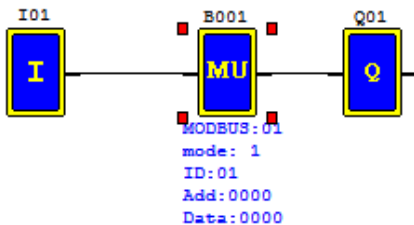


Address is constant 0003,
Data length is fixed at 1 word,
Send data:
01 03 00 03 00 01 CRC16;

Received response form slave1:
01 03 02 data1 data2 CRC16;
Saving date to DRE0: DRE0 = data1~2

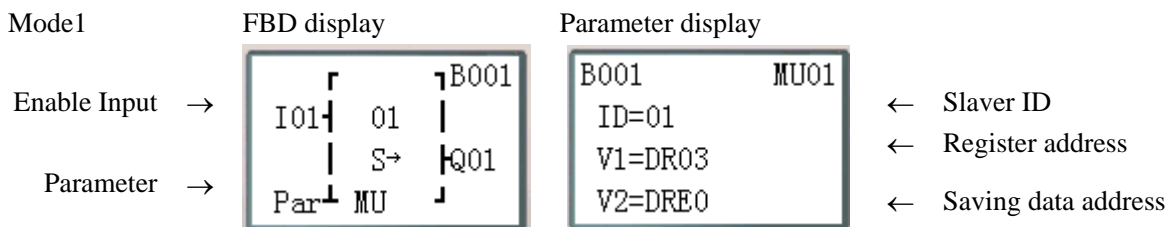


Setting communication address is data register DR:



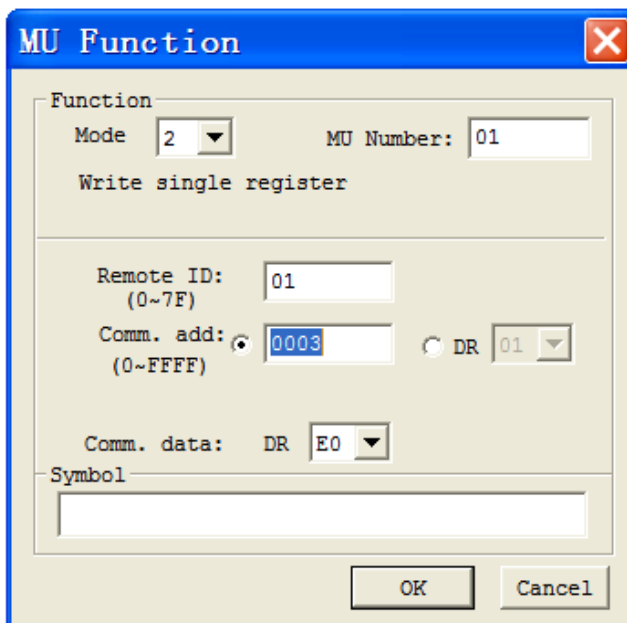
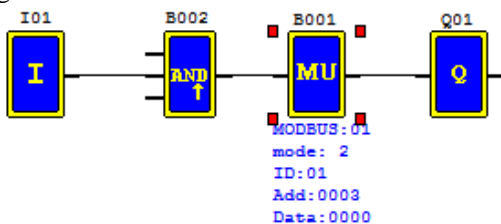
Setting address DR03=0001,
Setting data length DR04=0002,
Send data:
01 03 00 01 00 02 CRC16;

Received response from slave1:
01 03 04 data1 data2 data3 data4 CRC16;
Saving data to DRE0~DRE1:
DRE0 = data1~2, DRE1 = data3~4
※ the max length of data is 25.



MU mode2: Write single register

Setting communication address is constant:



Address is constant 0003,

Setting data DRE0=1234 (hex: 04D2),

Send data:

01 06 00 03 04 D2 CRC16;

Received response from slave1:

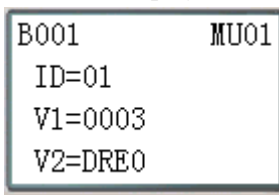
01 06 00 03 04 D2 CRC16;

Mode2

FBD display

Parameter display

Enable Input →



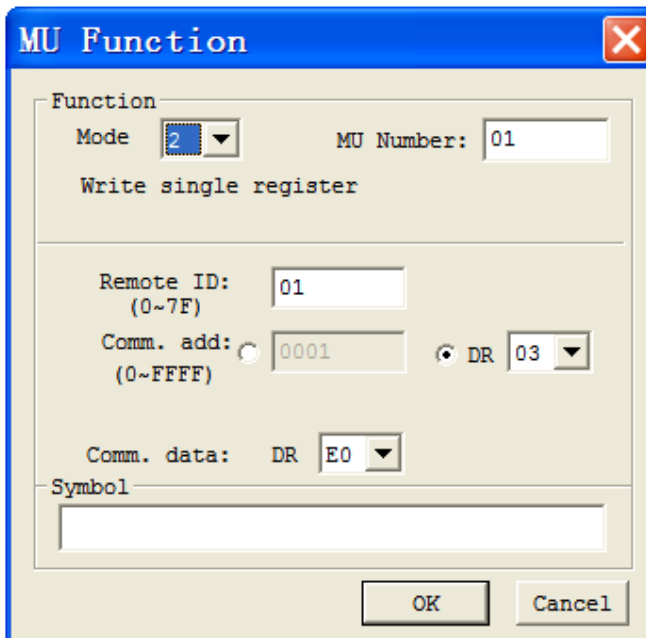
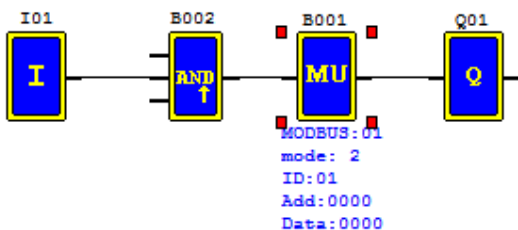
← Slaver ID

← Register address

← Source data address

Parameter →

Setting communication address is data register DR:



Setting address DR03=0001,

Setting data DRE0=1234 (hex: 04D2),

Send data:

01 06 00 01 04 D2 CRC16;

Received response from slave1:

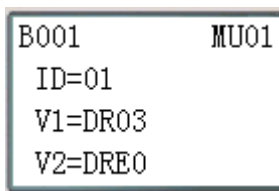
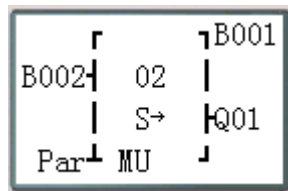
01 06 00 01 04 D2 CRC16;

Mode2

FBD display

Parameter display

Enable Input →



← Slaver ID

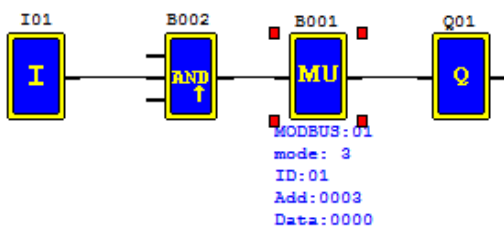
← Register address

← Source data address

Parameter →

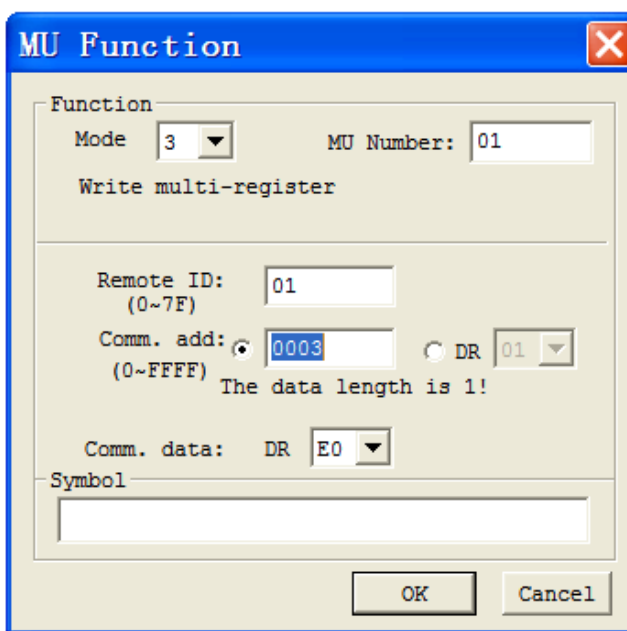
MU mode3: Write Multiple Registers

Setting communication address is constant:



Address is constant 0003,
 Data length is fixed at 1 word,
 Setting data DRE0=1234 (hex: 04D2),
 Send data:
 01 10 00 03 00 01 02 04 D2 CRC16;

Received response from slave1:
 01 10 00 03 00 01 CRC16;

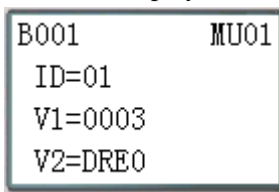
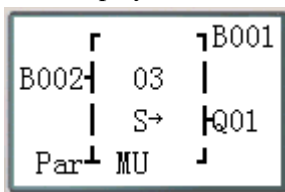


Mode3

FBD display

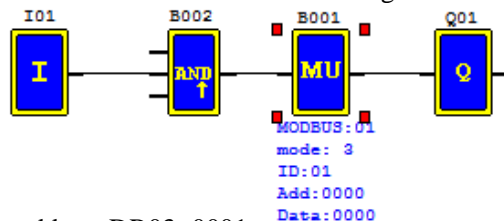
Parameter display

Enable Input →



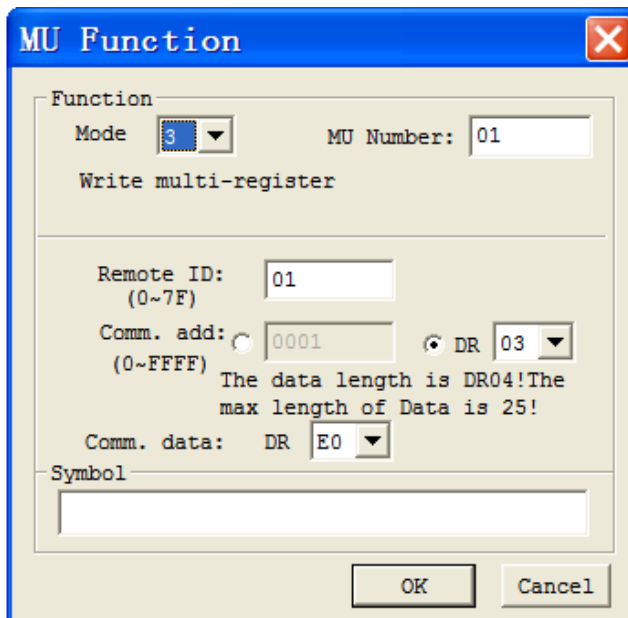
← Slaver ID
 ← Register address
 ← Source data address

Setting communication address is data register DR:



Setting address DR03=0001,
 Setting data length DR04=0002,
 Setting data DRE0=1234 (hex: 04D2),
 Setting data DRE1=5678 (hex: 162E),
 Send data:
 01 10 00 01 00 02 04 04 D2 16 2E CRC16;

Received response from slave1:
 01 10 00 01 00 02 CRC16;
 ✘ the max length of data is 25.

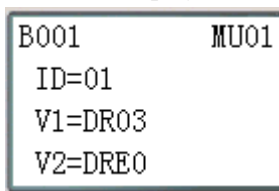
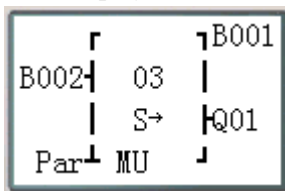


Mode3

FBD display

Parameter display

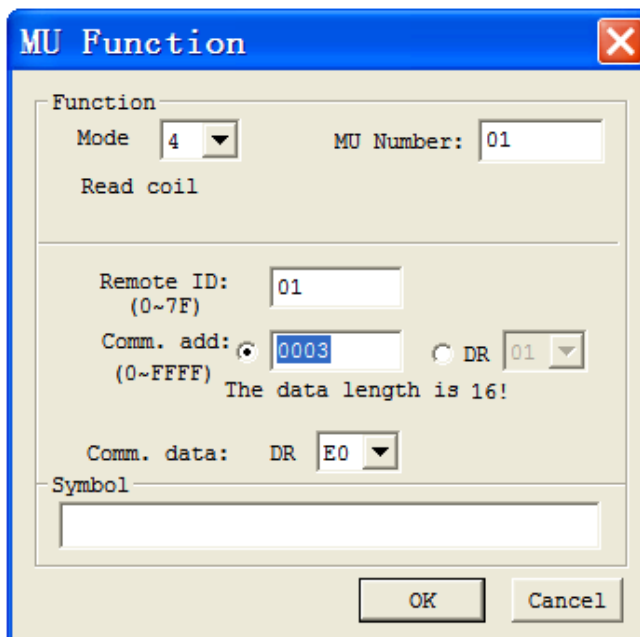
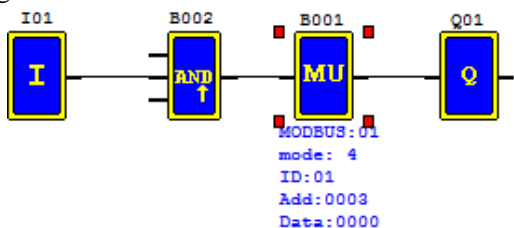
Enable Input →



← Slaver ID
 ← Register address
 ← Source data address

MU mode4: Read Coils

Setting communication address is constant:



Address is constant 32 (hex: 0020),
 Data length is fixed at 16 (hex: 10H, 1word),
 Send data:
 01 01 00 20 00 10 CRC16;

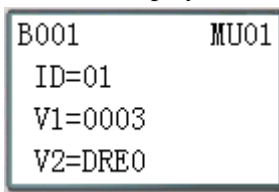
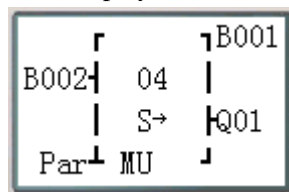
Received response from slave1:
 01 01 02 data1 data2 CRC16;
 Saving data to DRE0: DRE0 = data1~2

Mode4

FBD display

Parameter display

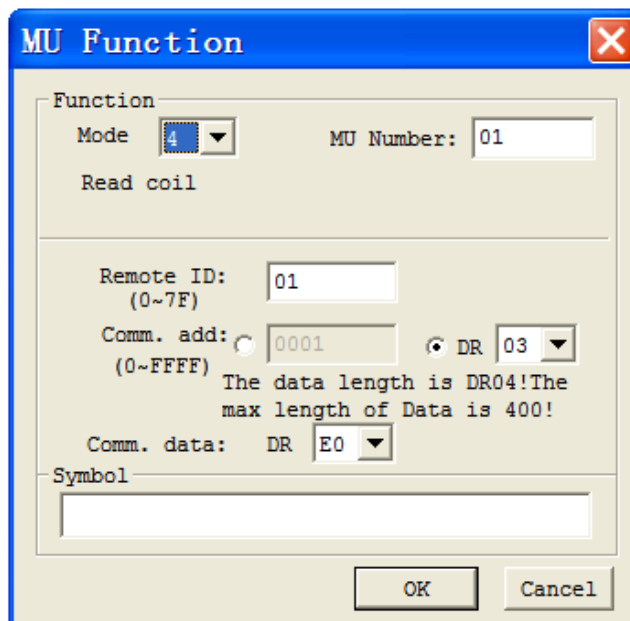
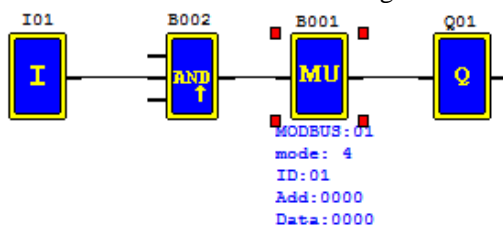
Enable Input →



← Slaver ID
 ← Register address
 ← Saving data address

Parameter →

Setting communication address is data register DR:



Setting address DR03=0001,
 Setting data length R04=0015 (hex: 000F);
 Send data:
 01 01 00 01 00 0F CRC16;

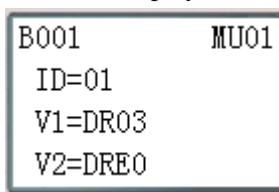
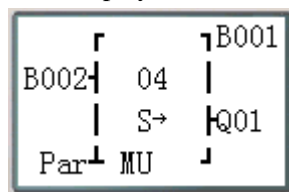
Received response from slave1:
 01 01 02 data1 data2 CRC16;
 Saving data to DRE0: DRE0 = data1~2
 ※ the max length of data is 400.

Mode4

FBD display

Parameter display

Enable Input →

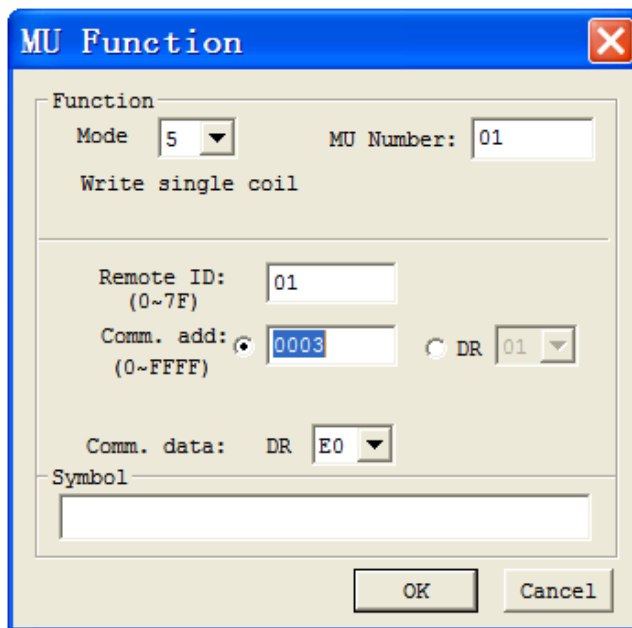
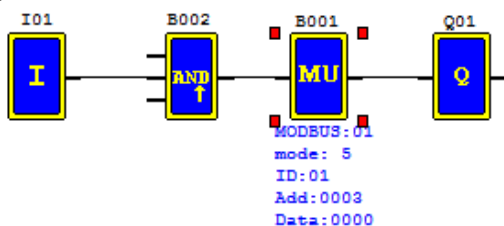


← Slaver ID
 ← Register address
 ← Saving data address

Parameter →

MU mode5: Write single coil

Setting communication address is constant:



Address is constant 0003,
 Setting data DRE0=65280 (hex: FF00),
 Send data:
 01 05 00 03 FF 00 CRC16;

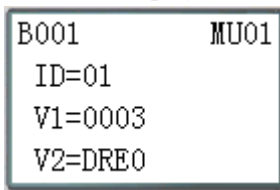
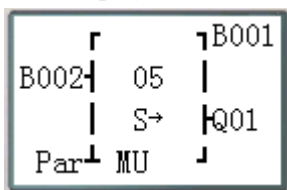
Received response from slave1:
 01 05 00 03 FF 00 CRC16;

Mode5

FBD display

Parameter display

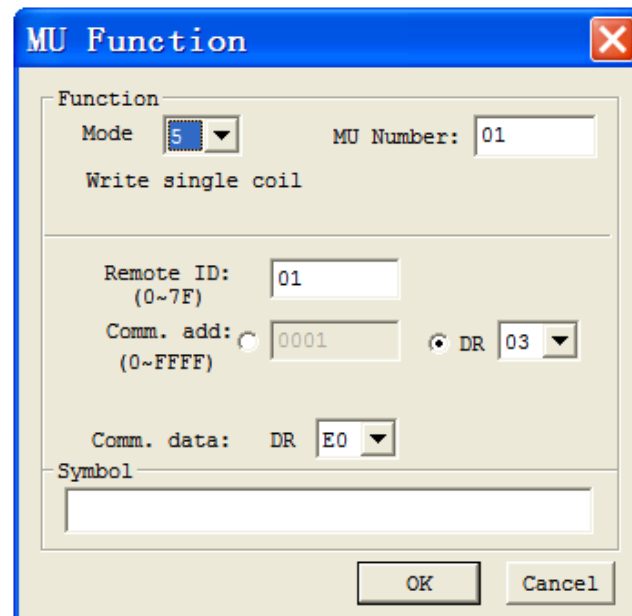
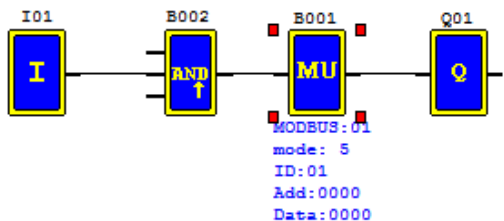
Enable Input →



- ← Slaver ID
- ← Register address
- ← Source data address

Parameter →

Setting communication address is data register DR:



Setting address DR03=0001,
 Setting data DRE0=65280 (hex: FF00),
 Send data:
 01 05 00 01 FF 00 CRC16;

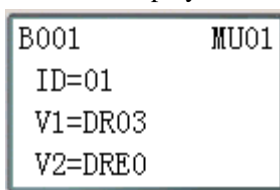
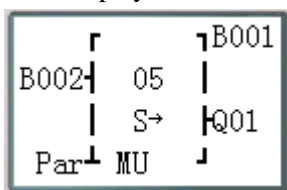
Received response from slave1:
 01 05 00 01 FF 00 CRC16;

Mode5

FBD display

Parameter display

Enable Input →



- ← Slaver ID
- ← Register address
- ← Source data address

Parameter →

Chapter 7: Hardware Specification

Normal Specification	190
Product Specifications.....	191
Power Specifications.....	192
Normal model machine Specifications	192
12V DC model Specifications.....	193
24V AC model Specifications.....	193
Power circuitry diagram.....	194
Input Specifications.....	195
100~240V AC model	195
24V AC model	195
24V DC, 12 I/O model.....	196
24V DC, 20 I/O model.....	197
12V DC, 12 I/O model.....	198
12V DC, 20 I/O model.....	199
Output Specifications.....	200
Output Port wiring notice.....	200
Light Load.....	200
Inductance Load.....	201
Life of relay.....	201
Size diagram of SG2	202

Normal Specification

Content		Specification
Mode of user program		Ladder & FBD
Environmental	Operation temperature	-4° to 131°F (-20° to 55°C)
	Storage temperature	-40° to 158°F (-40° to 70°C)
	Maximum Humidity	90% (Relative, non-condensing)
	Operation Gas	No corrosive gases
Main machine	Maximum Vibration	0.075mm amplitude, 1.0g acceleration according to IEC60068-2-6
	Maximum Concussion	peak value 15g, 11ms according to IEC60068-2-27
Maximum Noise	ESD	Contact ±4KV, air discharge ±8KV
	EFT	Power AC: ±2KV DC: ±1KV
	CS	0.15~80MHz 10V/m
	RS	80~1000MHz 10V/m
	EMI	EN55011 class B
installation	Enclosure Type	IP20
	Mounting mode	Direct Mounting or DIN-rail (35mm) Mounting
	Direction	According to chapter 2: Installing
Wiring		AWG 14/ψ2.6mm ²
size		2×90×59.6 mm(W×L×H) Din rail 72×126×59.6 mm(W×L×H) Direct

Product Specifications

	MODE	Input Power				Input point	Output point	Analog input	RTC	LCD keypad	expansion	1KHz High speed input	PWM	I/O LINK
		AC 100~240V	AC 24V	DC 24V	DC 12V									
10 / 12 points	Expansion models													
	10HR-A	◎				6	4	relay		◎	◎	◎		
	12HR-D			◎		8*	4	relay	2	◎	◎	◎	◎	
	12HT-D			◎		8*	4	transistor	2	◎	◎	◎	◎	◎
	12HR-12D				◎	8*	4	relay	2	◎	◎	◎	◎	
	12HR-24A		◎			8	4	relay		◎	◎	◎		
	OEM "Blind" Models, No Keypad, No Display													
	10KR-A	◎				6	4	relay		◎		◎		
	12KR-D			◎		8*	4	relay	2	◎		◎	◎	
	12KT-D			◎		8*	4	transistor	2	◎		◎	◎	◎
	12KR-12D				◎	8*	4	relay	2	◎		◎	◎	
	12KR-24A		◎			8	4	relay		◎		◎		
	OEM "Baseboard" Models, No Keypad, No Display, No Expansion													
	10CR-A	◎				6	4	relay		◎				
	12CR-D			◎		8*	4	relay	2	◎			◎	
	12CT-D			◎		8*	4	transistor	2	◎			◎	◎
12CR-12D				◎	8*	4	relay	2	◎			◎		
20 points	Expansion models													
	20HR-A	◎				12	8	relay		◎	◎	◎		
	20HR-D			◎		12*	8	relay	4	◎	◎	◎	◎	
	20HT-D			◎		12*	8	transistor	4	◎	◎	◎	◎	◎
	20HR-12D				◎	12*	8	relay	4	◎	◎	◎	◎	
	20HR-24A		◎			12	8	relay		◎	◎	◎		
	OEM "Blind" Models, No Keypad, No Display													
	20KR-A	◎				12	8	relay		◎		◎		
	20KR-D			◎		12*	8	relay	4	◎		◎	◎	
	20KT-D			◎		12*	8	transistor	4	◎		◎	◎	◎
	20KR-12D				◎	12*	8	relay	4	◎		◎	◎	
	20KR-24A		◎			12	8	relay		◎		◎		
	OEM "Baseboard" Models, No Keypad, No Display, No Expansion													
	20CR-A	◎				12	8	relay		◎				
	20CR-D			◎		12*	8	relay	4	◎			◎	
	20CT-D			◎		12*	8	transistor	4	◎			◎	◎
20CR-12D				◎	12*	8	relay	4	◎			◎		
RS485 communication models														
20VR-D			◎		12*	8	relay	4	◎	◎	◎	◎		◎
20VT-D			◎		12*	8	transistor	4	◎	◎	◎	◎	◎	◎
20VR-12D				◎	12*	8	relay	4	◎	◎	◎	◎		◎
	8ER-A	◎				4	4	relay						
	8ER-D			◎		4	4	relay						
	8ET-D			◎		4	4	transistor						
	8ER-24A		◎			4	4	relay						
	4AI			◎		4*			4					
	4PT			◎		4*			4					
	2AO			◎			2	analog						

◎: exist * : There are analog input points in.

Power Specifications

Normal model machine Specifications

content	SG2-10HR-A SG2-10KR-A SG2-10CR-A		SG2-20HR-A SG2-20KR-A		SG2-20HR-D SG2-20KR-D SG2-20HT-D SG2-20KT-D		SG2-12HR-D SG2-12KR-D SG2-12CR-D SG2-12HT-D SG2-12KT-D SG2-12CT-D	
operation Power range	AC 100~240V		AC 100~240V		DC 24V		DC 24V	
Voltage Rating	AC 85~265V		AC 85~265V		DC 20.4~28.8V		DC 20.4~28.8V	
Frequency Rating	50 / 60 Hz		50 / 60 Hz					
Frequency range	47~63Hz		47~63Hz					
instantaneous power down time allowable	10 ms(half cycle) / 20 times (IEC61131-2)		10 ms(half cycle) / 20 times (IEC61131-2)		1ms/10times (IEC61131-2)		10ms/10times (IEC61131-2)	
fuse	Need connect a fuse or breaker of current 1A		Need connect a fuse or breaker of current 1A		Need connect a fuse or breaker of current 1A		Need connect a fuse or breaker of current 1A	
Isolation	None		None		None		None	
Current average	AC 110V	AC 220V	AC 110V	AC 220V	DC 24V	DC 28.8V	DC 24V	DC 28.8V
	All inputs and relays are ON 90mA	All inputs and relays are ON 90mA	All inputs and relays are ON 100mA	All inputs and relays are ON 100mA	All inputs and relays are ON 145mA	All inputs and relays are ON 185mA	All inputs and relays are ON 115mA	All inputs and relays are ON 125mA
	All inputs and relays are OFF 85mA	All inputs and relays are OFF 85mA	All inputs and relays are OFF 90mA	All inputs and relays are OFF 90mA	All inputs and relays are OFF 80mA	All inputs and relays are OFF 120mA	All inputs and relays are OFF 75mA	All inputs and relays are OFF 85mA
Consume power	7.5 W		12.5 W		5 W		4.5W	

12V DC model Specifications

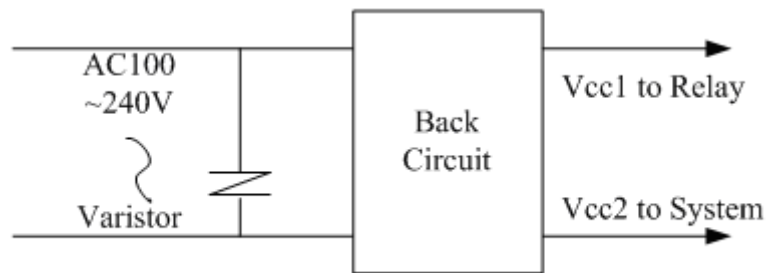
content	SG2-12HR-12D		SG2-20HR-12D	
Voltage Rating	DC 12 V		DC 12 V	
operation Power range	DC 10.4~14.4 V		DC 10.4~14.4 V	
instantaneous power down time allowable	10 ms / 10 times (IEC 61131-2)		1ms/ 10 times (IEC 61131-2)	
fuse	Need connect a fuse or breaker of Current 1A		Need connect a fuse or breaker of current 1A	
Isolation	None		None	
Current average	DC 12V	DC 14.4V	DC 12V	DC 14.4V
	All inputs and relays are ON 195mA	All inputs and relays are ON 195mA	All inputs and relays are ON 265mA	All inputs and relays are ON 265mA
	All inputs and Relays are OFF 160mA	All inputs and Relays are OFF 160mA	All inputs and Relays are OFF 200mA	All inputs and Relays are OFF 200mA
Consume power	2.5W		3.5 W	

24V AC model Specifications

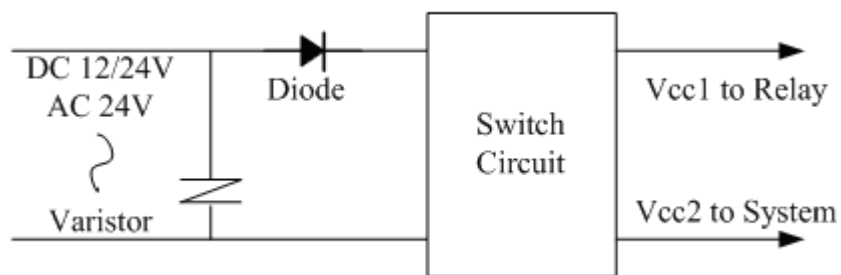
content	SG2-12HR-24A SG2-12KR-24A		SG2-20HR-24A SG2-20KR-24A	
Voltage Rating	AC 24V		AC 24V	
operation Power range	20.4~28.8V AC		20.4~28.8V AC	
instantaneous power down time allowable	10 ms(half cycle) / 20 times		10 ms(half cycle) / 20 times	
fuse	Need connect a fuse or breaker of Current 1A		Need connect a fuse or breaker of current 1A	
Isolation	None		None	
Current average	AC 24V	AC 28.8V	AC 24V	AC 28.8V
	All inputs and relays are ON 270mA	All inputs and relays are ON 250mA	All inputs and relays are ON 290mA	All inputs and relays are ON 260mA
	All inputs and Relays are OFF 160mA	All inputs and Relays are OFF 160mA	All inputs and Relays are OFF 200mA	All inputs and Relays are OFF 200mA
Consume power	6.5W		7 W	

Power circuitry diagram

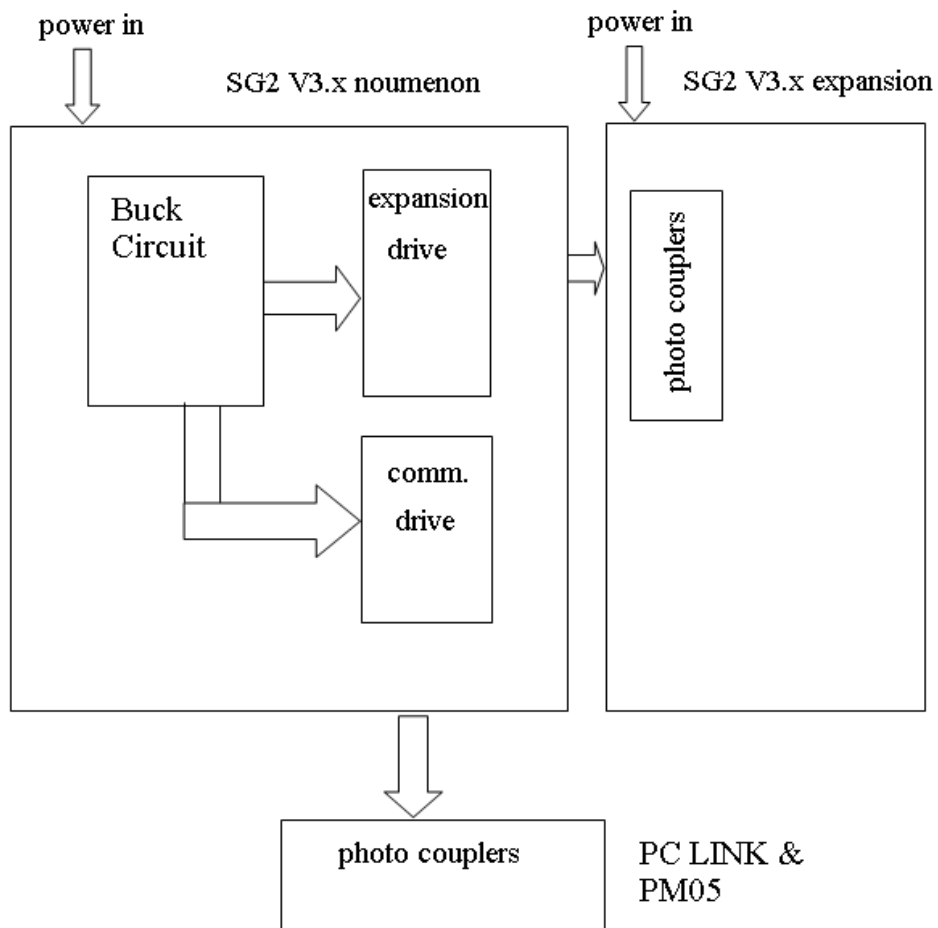
- 1) AC 10/20 points



- 2) DC 12V, DC 24V

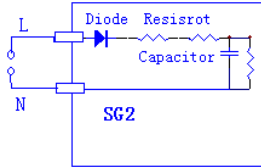


- 3) Mainframe, expansion and communication

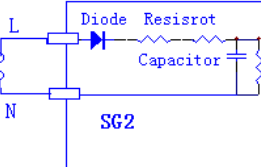


Input Specifications

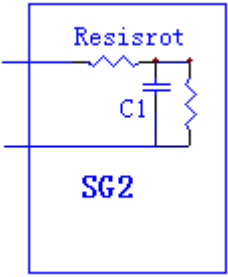
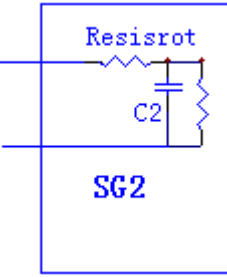
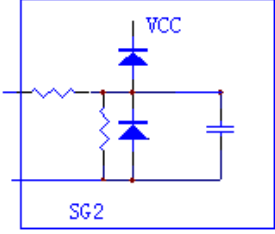
100~240V AC model

content	SG2-10HR-A SG2-10KR-A SG2-10CR-A		SG2-20HR-A & SG2-20KR-A	
Input circuitry	I01~I06		I01~I09, I0A, I0B, I0C	
				
number	6(digital input)		12(digital input)	
Signal current input	AC 110V 0.66mA	AC 220V 1.3mA	AC 110V 0.55mA	AC 220V 1.2mA
ON current input	> AC 79 V /0.41mA		> AC 79 V / 0.4mA	
OFF current input	< AC 40 V /0.28mA		< AC 40 V / 0.15mA	
wire length	< / = 100 m		< / = 100 m	
response time of input	On=>Off		On=>Off	
	Typical 50/60 Hz	50/45 ms(AC 110 V)	Typical 50/60 Hz	50/45 ms(AC 110 V)
	Typical 50/60 Hz	90/85 ms(AC 220 V)	Typical 50/60 Hz	90/85 ms(AC 220 V)
	Off=>On		Off=>On	
	Typical 50/60 Hz	50/45 ms(AC 110 V)	Typical 50/60 Hz	50/45 ms(AC 110 V)
	Typical 50/60 Hz	22/18 ms(AC 220 V)	Typical 50/60 Hz	22/18 ms(AC 220 V)

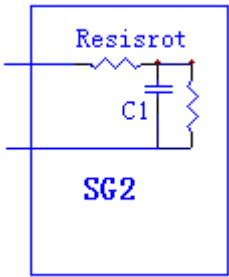
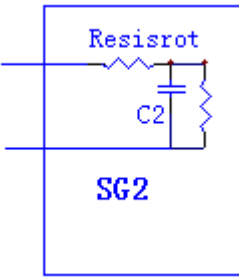
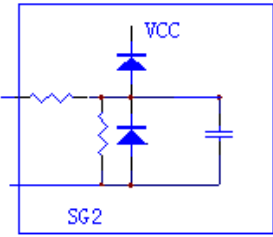
24V AC model

content	SG2-12HR-24A		SG2-20HR-24A	
Input circuitry	I01~I06, I09,I0A		I01~I09, I0A, I0B, I0C	
				
number	8(digital input)		12(digital input)	
Signal current input	3mA		3mA	
ON current input	> AC 14 V /3mA		> AC 14 V / 3mA	
OFF current input	< AC 6 V /0.85 mA		< AC 6 V / 0.85mA	
wire length	< / = 100 m		< / = 100 m	
response time of input	On=>Off		On=>Off	
	Typical 50/60 Hz	90/90ms	Typical 50/60 Hz	90/90ms
	Off=>On		Off=>On	
	Typical 50/60 Hz	90/90ms	Typical 50/60 Hz	90/90ms

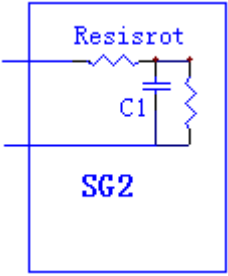
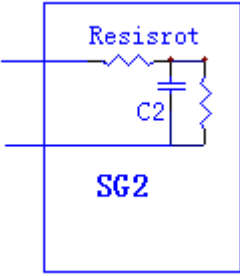
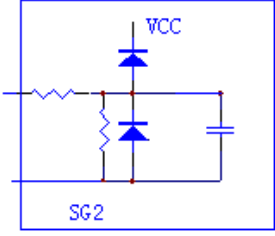
24V DC, 12 I/O model

content	SG2-12HR-D & SG2-12KR-D & SG2-12CR-D SG2-12HT-D & S G2-12KT-D & SG2-12CT-D			
	Normal digital input	High speed input	Analog input used as normal digital input	Analog input
Input circuitry	I03~I06 	I01,I02 	I09,I0A 	
number	4	2	2	2
Signal current input	3.2mA/24V DC	3.2mA/24V DC	0.63mA/24V	<0.17 mA/10V
ON current input	>1.875mA/15V	>1.875mA/15V	>0.161mA/9.8V	
OFF current input	< 0.625mA/5V	< 0.625mA/5V	< 0.085mA/5V	
wire length	< / = 100 m	< / = 100 m	< / = 100 m	< / = 30 m(shield wire)
response time of input	On=>Off	On=>Off	On=>Off	
	3ms	0.3ms	Typical: 5ms	
	Off=>On	Off=>On	Off=>On	
	5ms	0.5ms	Typical: 3ms	
Input voltage				0~10 V DC
Precision class				0.01V DC
bit of conversion				12
error				±2%±0.12V
Conversion time				1 cycle
sensor resistance				<1K ohm

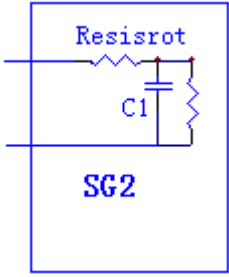
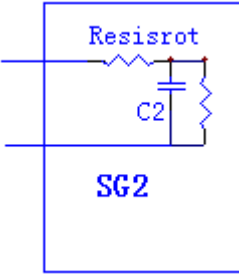
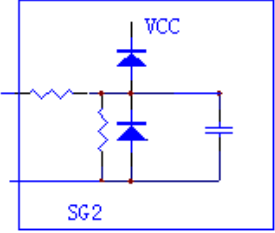
24V DC, 20 I/O model

content	SG2-20HR-D & SG2-20KR-D SG2-20HT-D & SG2-20KT-D			
	Normal digital input	High speed input	Analog input used as normal digital input	Analog input
Input circuitry	I03~I08 	I01,I02 	I09,I0A,I0B,I0C 	
number	6	2	4	4
Signal current input	3.1mA/24V DC	3.1mA/24V DC	0.63mA/24V	<0.17 mA/10V
ON current input	>1.875mA/15V	>1.875mA/15V	>0.163mA/9.8V	
OFF current input	< 0.625mA/5V	< 0.625mA/5V	< 0.083mA/5V	
wire length	< / = 100 m	< / = 100 m	< / = 100 m	< / = 30 m(shield wire)
response time of input	On=>Off	On=>Off	On=>Off	
	5ms	0.5ms	Typical: 5ms	
	Off=>On	Off=>On	Off=>On	
	3ms	0.3ms	Typical: 3ms	
Input voltage				0~10 V DC
Precision class				0.01V DC
bit of conversion				12
error				±2%±0.12V
Conversion time				1 cycle
sensor resistance				<1K ohm

12V DC, 12 I/O model

content	SG2-12HR-12D			
	Normal digital input	High speed input	Analog input used as normal digital input	Analog input
Input circuitry	I03~I06 	I01,I02 	I09,I0A 	
number	4	2	2	2
Signal current input	3.2mA/12V DC	3.2mA/12V DC	0.32mA/12V	<0.17 mA/10V
ON current input	>1.875mA/7.5V	>1.875mA/7.5V	>0.161mA/9.8V	
OFF current input	< 0.625mA/2.5V	< 0.625mA/2.5V	< 0.085mA/5V	
wire length	< / = 100 m	< / = 100 m	< / = 100 m	< / = 30 m(shield wire)
response time of input	On=>Off	On=>Off	On=>Off	
	3ms	0.3ms	Typical: 5ms	
	Off=>On	Off=>On	Off=>On	
	5ms	0.5ms	Typical: 3ms	
Input voltage				0~10 V DC
Precision class				0.01V DC
bit of conversion				12
error				±2%±0.12V
Conversion time				1 cycle
sensor resistance				<1K ohm

12V DC, 20 I/O model

content	SG2-20HR-12D			
	Normal digital input	High speed input	Analog input used as normal digital input	Analog input
Input circuitry	I03~I08 	I01,I02 	I09,I0A,I0B,I0C 	
number	6	2	4	4
Signal current input	3.2mA/12V DC	3.2mA/12V DC	0.63mA/12V	<0.17 mA/10V
ON current input	>1.875mA/7.5V	>1.875mA/7.5V	>0.163mA/9.8V	
OFF current input	< 0.625mA/2.55V	< 0.625mA/2.55V	< 0.083mA/5V	
wire length	< / = 100 m	< / = 100 m	< / = 100 m	< / = 30 m(shield wire)
response time of input	On=>Off 5ms Off=>On 3ms	On=>Off 0.5ms Off=>On 0.3ms	On=>Off Typical: 5ms Off=>On Typical: 3ms	
Input voltage				0~10 V DC
Precision class				0.01V DC
bit of conversion				12
error				±2%±0.12V
Conversion time				1 cycle
sensor resistance				<1K ohm

Output Specifications

content		relay	transistor
output circuitry			
Extern power		Less than AC265, DC30V	23.9~24.1V
circuitry isolation		mechanism isolation	Photo couplers isolation
Maximal Load	Resistive	8A/point	0.3A/point
	Inductive	—	—
	light	200W	10W/DC 24V
Open drain current		—	<10uA
Minimum Load		—	—
Response time	OFF → ON	15 ms	25 us
	ON → OFF	15 ms	Less than 0.6 ms

Output Port wiring notice

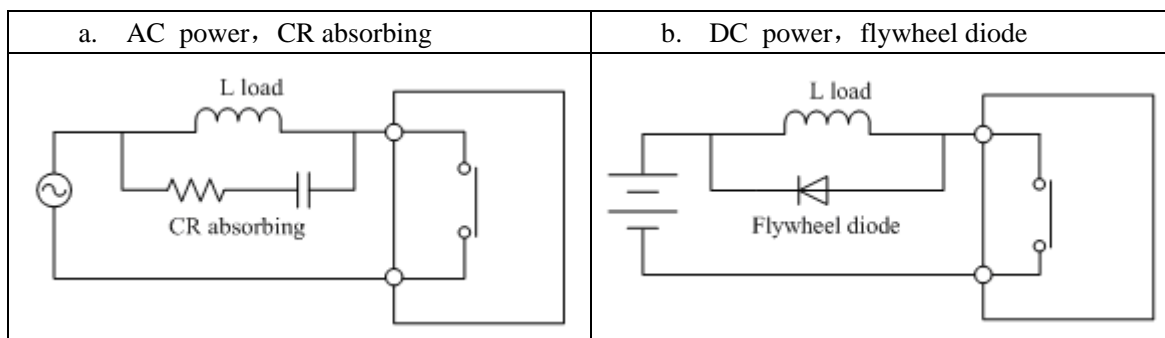
Light Load

The surging current will appear at the moment of the lamp is conducting; it may 10~20 times the rated current for almost 10ms when filament is turning-on. A distributaries resistance or restricted current resistance is added at output port to reduce the surging problem.

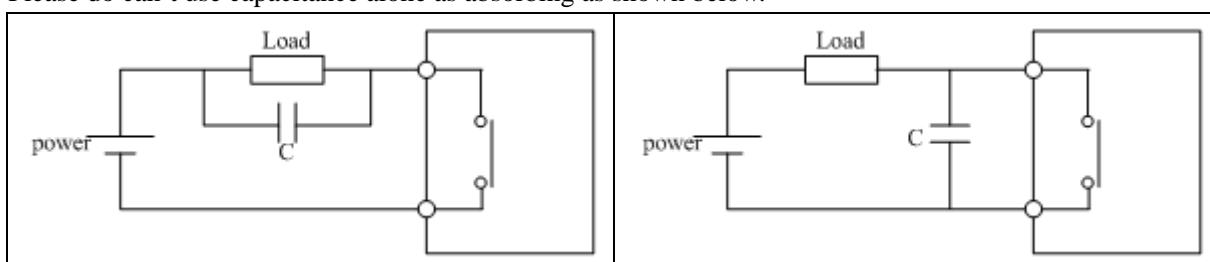
<p>distributaries resistance</p> <p>There is a little current makes light shine faintness, so the value of resistance must be careful.</p>	<p>restricted current resistance</p> <p>The brightness will not be bright if the resistance value is too big.</p>
--	---

Inductance Load

There will be a surging voltage (KV) when the inductance load switches between ON and OFF, especially for the relay model. The methods to different power mode to absorb the surging voltage are shown below.

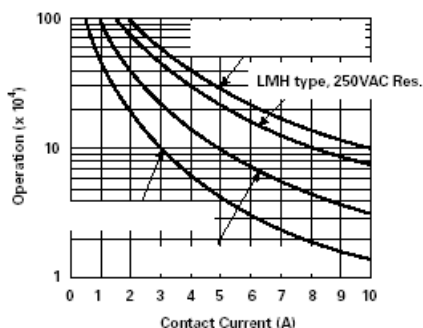


Please do can't use capacitance alone as absorbing as shown below.



Life of relay

Life Expectancy



- ✘ The data of picture above is standard, but the life of relay is influenced by the temperature of operation environmental.
- ✘ The life is more than 100K times if the current is less than 2A.

Power mode

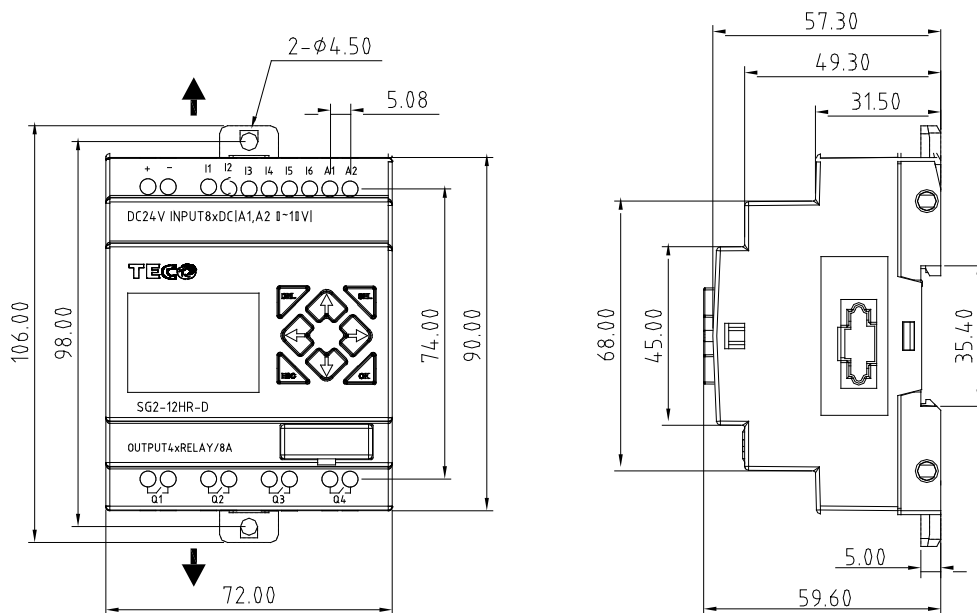
Mode	Input/Output
DC +12V	AC 100~240V / DC +12V
DC +24V	AC 100~240V / DC +24V

Accessory

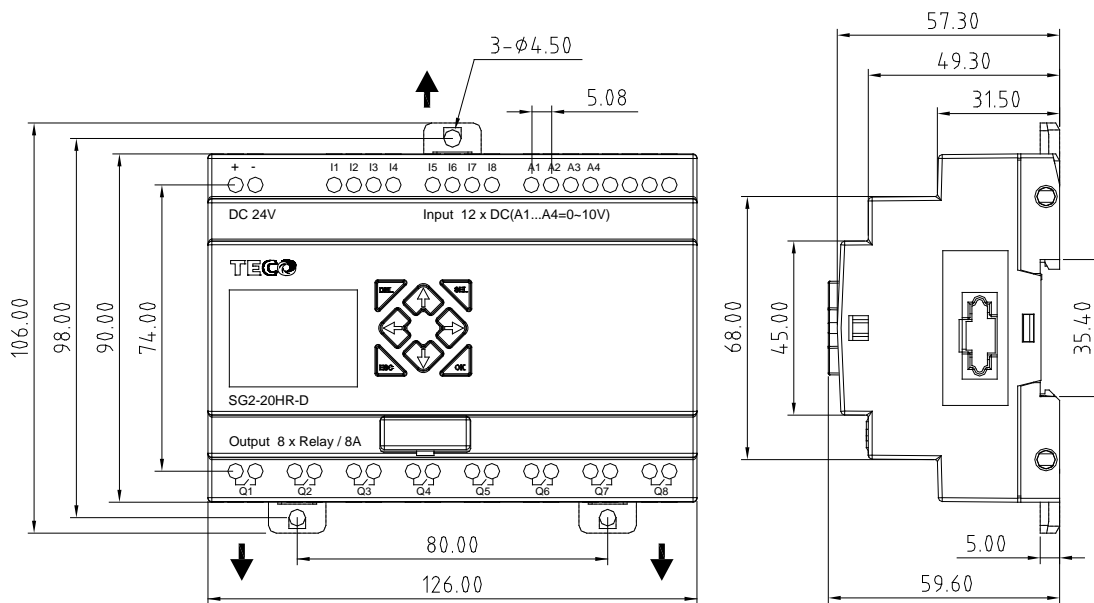
MODE	description
PM05	memory cartridge
SG2 Client	SG2 program software

Size diagram of SG2

10/12 points



20 points



Chapter 8: 20 Points RS485 type Models Instruction

Communication function.....	204
Detail instruction.....	206
Remote IO function.....	206
IO Link Function.....	207
MU instruction (Modbus RTU master).....	209
Modbus RTU slave function	211
SG2 Modbus protocol	211

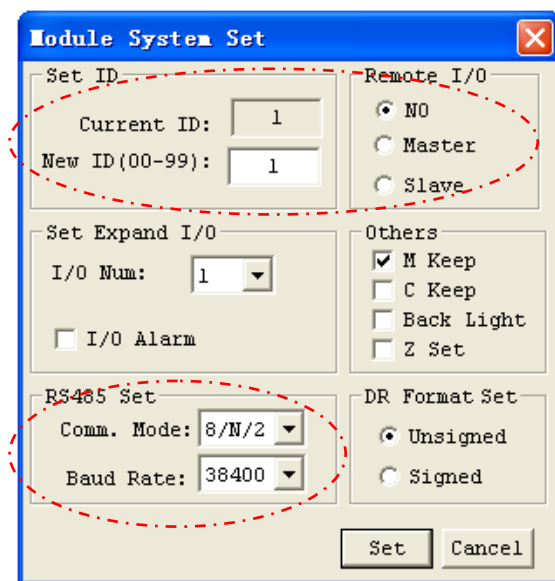
Only SG2-20VR-D, SG2-20VT-D, SG2-20VR-12D do have RS485 communication function.

Communication function

There are many parameters needed to be set before user uses the RS485 communication function. And there are two ways to set that parameter.

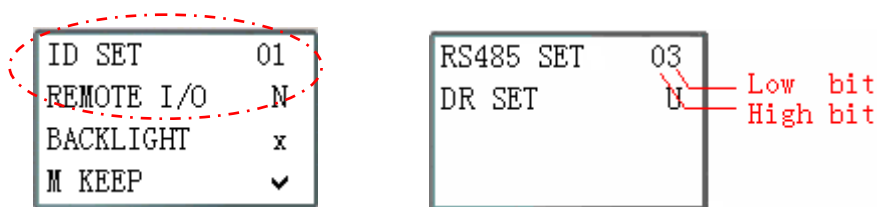
- Setting parameters via SG2 Client software:

1. In SG2 Client Soft Select **Operation>>Module System Set**;
2. Open the dialog box as show below, setting parameters **SET ID**, **Remote I/O** and **RS485 Set**.



- Setting parameters via keypad button on SG2.

1. Press button to enter main menu.
2. Press UP/DOWN to choose SET menu, and press OK to enter it.
3. Press UP/DOWN makes the LCD to display the options as show below, setting parameters **ID SET**, **REMOTE I/O** and **RS485 SET**.



4. Parameter **RS485 SET**, high bit means communication format and low bit means Baud Rate.
5. Press OK button to save setting.

Function parameters:

ID SET	01	→	ID setting (00~99)
REMOTE I/O	N	→	Remote I/O Mode (N: none M: Master S: Slave)

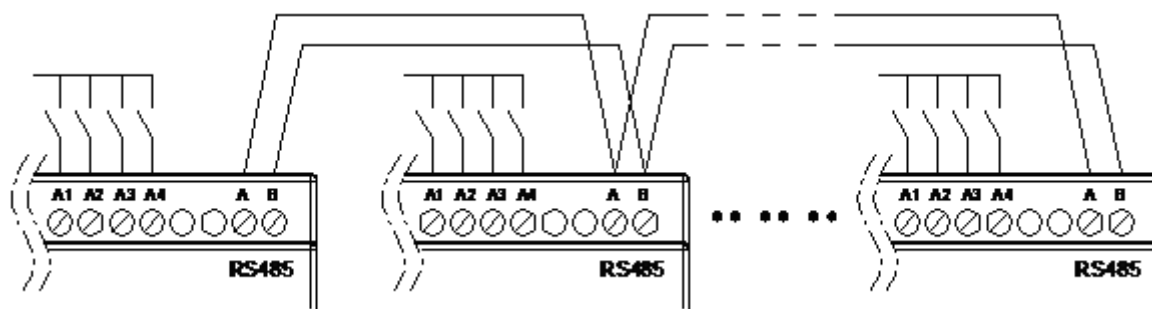
Function description:

Function	ID SET	REMOTE I/O	Description
Remote IO function	00~99	M & S	Up to 2 additional SG2 units can be configured as Remote I/O nodes (master and slave);
IO Link function	0~7	N	Up to 8 additional SG2 units can be configured as IO Link and ID must be continuous 0~7;
MU instruction	1~99	N	MU can be enabled only when no remote IO function and IO Link function;
Modbus RTU slave	1~99	N	Modbus RTU slave is effective when no remote IO function, IO Link function and MU instruction;

Communication parameters:

Content	Data	Meaning
Format	0	8/N/2 Data 8bits, No Parity, 2 Stop bits.
	1	8/E/1 Data 8bits, Even Parity, 1 Stop bit.
	2	8/O/1 Data 8bits, Odd Parity, 1 Stop bit.
	3	8/N/1 Data 8bits, No Parity, 1 Stop bit.
Baud Rate	0	4800 bps
	1	9600 bps
	2	19200 bps
	3	38400 bps
	4	57600 bps
	5	115200 bps

- ※ SG2 default ID SET=1, and REMOTE I/O=N (no remote I/O).
- ※ SG2 RS485 port default communication format is 8/N/2 (Data 8bits, No parity, 2 stop bits) and baud rate is 38400bps.
- ※ The communication parameter setting takes effect after power up again.



Detail instruction

Remote IO function

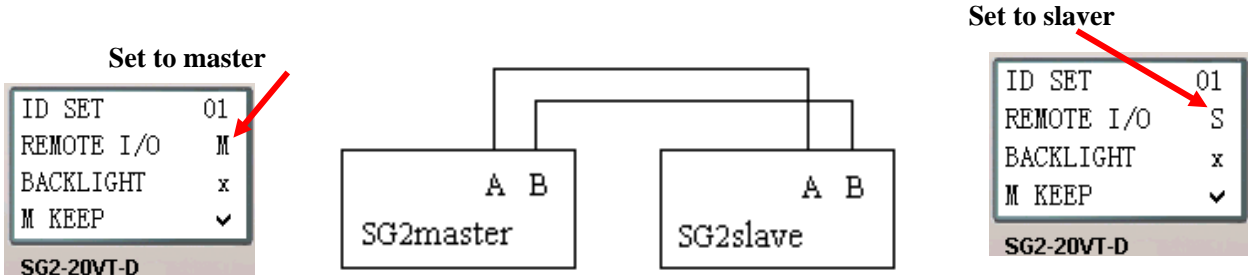
Function Description:

Remote IO function can make one SG2 as master link to another SG2 as slaver; the master can perform its program, but the slaver can't. The ON/OFF state of the output coil Q in slaver will affect the ON/OFF state of the expansion output coil Y in master. In addition, the ON/OFF state of input coil X in master depends on the state of the input coil I in slaver.

I/O Address	Master	Slave
Input Coils	I01~I0C	
Output Coils	Q01~Q08	
Expansion Input Coils	X01~X0C	I01~I0C
Expansion Output Coils	Y01~Y08	Q01~Q08

Hardware Configuration:

1. Link two "V" type SG2 as illustration show below.
2. Assign left SG2 in the illustration as master.
3. Set another SG2 to Slave.

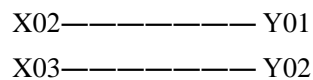


The program in master is valid, but the one in slaver is not.

Don't use expansion DI/DO modules, when remote I/O function is enabled.

Example:

Create a Ladder program as show below is written in master.



If input coils I02 and I03 in the Slaver turn ON. X02 and X03 in master will also turn ON due to the influence of I02 and I03 in the Slaver. Obviously, Y01 and Y02 in the master will turn ON, and then it causes Q1 and Q2 switching ON. See the consequence on the IO interface as shown in below.

I/O State on Slave Run mode

I.	1	2	3	4	5	6	7	8	9	0	A	B	C
Z.	1	2	3	4									
Q.	1	2	3	4	5	6	7	8	9	0	A	B	C
MO 14 : 42													

I/O State on Master Run mode

X.	1	2	3	4	5	6	7	8	9	0	A	B	C
Y.	1	2	3	4	5	6	7	8	9	0	A	B	C
EXE													
2010.05.09													

IO Link Function

Function Description:

Up to 8 SG2 units can be linked together as the IO Link Network. Each unit runs their own logic program; the ON/OFF state of input, output points, and Auxiliary Coils in each one can be assigned to “W Table”, see the next page for more information. There must be one master (ID=00) and several slavers with the continuous ID number starting from 01 in the network. The master one does not perform the IO Link function to the units with the ID behind the first broken number once the ID numbers are not continuous. For example, the slavers’ ID are 01, 02, 04 and 05, the master just can recognize only two Slaver, ID 01 and 02, the ID 04 and 05 will be skipped.

One controller can use 8 IO Link (L01~L08). Only one IO Link instruction can work at Mode 1(Write mode), and the other IO Link instructions must be Mode 2 (Grab mode).

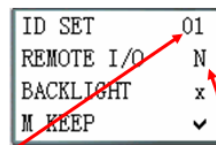
The Mode 1: Write the ON/OFF states of the selected coils into the chosen W elements. The available W elements in the mode 1 depend on the ID setting of that unit, refer to the table in the previous page for more information.

The Mode 2: Grab the states of the selected W elements, and substituting the state of the selected coil. If the select coil type is input coil I or X, coil status can’t be changed by the state of W elements.

Hardware Configuration:

1. Link not more 8 RS485 type SG2 as show below.
2. Set all the SG2 in SET menu to No Remote IO.
3. Set those SG2’s ID continuously 00, 01, 02... The max number of the ID is 07.

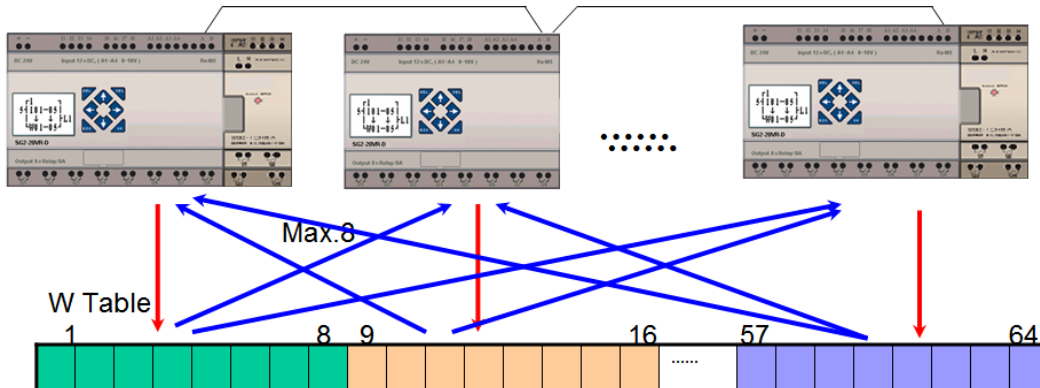
- max. 8 points I/O send per stations
- Max 7*8 (=56) points I/O received per station



ID must set to be 0,1,2,...(max to 7)

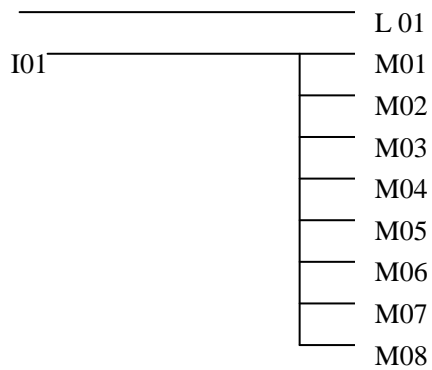
Remote I/O disable

ID	Memory list location
0	W01~W08
1	W09~W16
2	W17~W24
3	W25~W32
4	W33~W40
5	W41~W48
6	W49~W56
7	W57~W64

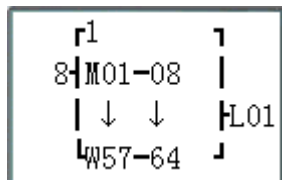


Example:

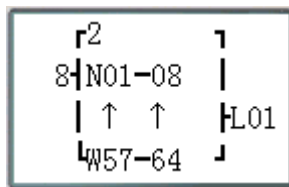
1. Link 8 20 pointes RS485 models SG2 according to the steps of the Hardware Configuration.
2. Create a ladder program as show below in those 8 SG2.



3. Set L01 of the SG2 which's ID =7 as fellow illustration.



4. L01 of other 7 SG2 set as fellow illustration.



5. Run program and let I01 of the SG2 which's ID = 7 on. And M01~M08 will be on state.
6. You will find N01~N08 of other 7 SG2 will be controlled by the M01~M08 of the SG2 which's ID=7.

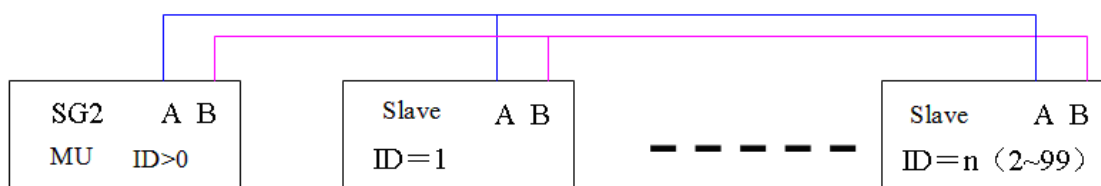
MU instruction (Modbus RTU master)

MU function performs Modbus RTU communication at RS485 port. There are 15 MU coils can be used in ladder mode, MU01~MU0F, and up to 250 MU function blocks diagram in FBD mode.

There can be several MU commands executed at the same time, but only one command can be performed, the rest are postponed until the performed one is accomplished.

Hardware Configuration:

1. Connect the RS485 port A on each SG2 unit together, also do it to port B, as shown in below figure.



2. Set SG2 in the SET menu to No Remote IO.

3. Set SG2 ID = 01~99.

ID SET	01
REMOTE I/O	N
BACKLIGHT	x
M KEEP	✓

Function mode corresponding communication function code:

mode	Communication function code
1	03 (Read Registers)
2	06 (Write Single Register)
3	10 (Write Multiple Registers)
4	01 (Read Coils)
5	05 (Write Single Coil)

The M coil used for Modbus function:

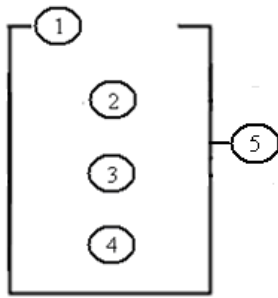
Received (M3D)	M3D turns ON after received, then check-up for error. Transferring data to target address if there is no error.
Error flag (M3E)	communication error flag
Time out flag (M3F)	M3F turns ON when the master does not get any response from slaver within certain time. M3F will automatically reset if M3D reset.

The time of time out is depending communication baud rate as shown in the table below:

Baud rate (bps)	Time (ms)
4800、9600、19200、38400	125
57600	100
115200	80

In Ladder mode, there are 5 parameters in Modbus function as shown in below.

symbol	Description
--------	-------------



①	MU mode (1~5)
②	ID number of the target unit: range from 0 to127
③	The address of target register in that unit: 1) address is assigned to a constant, range from 0000 to ffff; <ul style="list-style-type: none"> • Just do the read/write function to the register with one data length/address in mode 1 and 3. • Do the read/write function to the coil with one data length/address in mode 4 and 5. 2) The address refers to the content of DR coil, and the value of coil behind this one determines how many register or coil will be read or write, see the next five pages for more information.
④	DR code, store sending/receiving data from this DR
⑤	MU code (MU01~MU0F)

More description and examples to see [Chapter5: Relay Ladder Logic Programming-MU \(Modbus\)](#).

※ The max data length for Mode 1 and 3 is 25words. The max data length for Mode 4 is 400bits.

In FBD mode, program, edit and parameter display as shown blow;

Mode1	FBD display	Parameter display	
Enable Input →			← Slaver ID
Parameter →			← Register address
			← Saving data address

More description and examples to see [Chapter6: FBD Block Diagram Programming-MU \(Modbus\) function block](#).

※ The max data length for Mode 1 and 3 is 25words. The max data length for Mode 4 is 400bits.

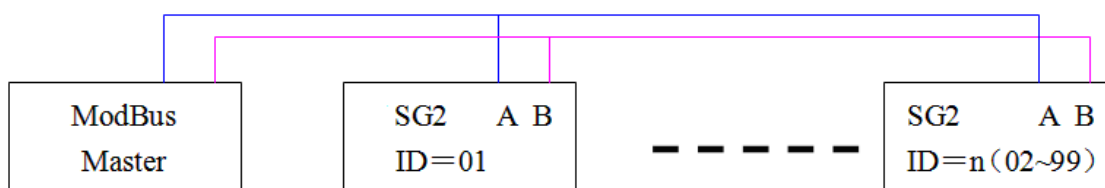
Modbus RTU slave function

Function Description:

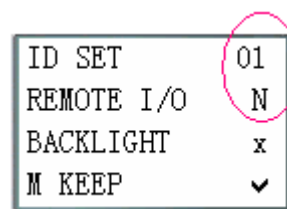
SG2 unit can be controlled by the computer or other controller using the communication control. PC and other controller can read and write IO state, preset value of the elements and the setting of the unit. It also can use to read the current value of the element and control the Run/Stop mode of SG2. The maximum frame length in communication format is 128bytes.

Hardware Configuration:

1. Connect the RS485 port A on each SG2 unit together, also do it to port B, as shown in below figure.



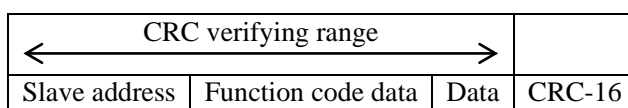
2. Set SG2 in the SET menu to No Remote IO.
3. Set SG2 ID = 01~99.



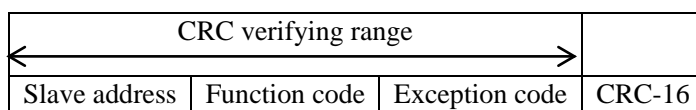
SG2 Modbus protocol

If SG2 receive a correct frame, it will carry out the command, it responses a correct frame to computer or other controller. If the command that SG2 received is incorrect, SG2 responses Exception code to computer or controller.

- Command format and Response format



- The Response command format, once SG2 receive an unexpected command.



Command Format:

Slave address	Function code	Data	CRC-16	Exception code
00H: broadcast to all the drivers	01H	Read coils	CRC verifying range contain Slave Address Function Code Exception Code	For detail, please refer Exception Code Instruction
01H: to the No.01 driver	05H	Write single coil		
0FH: to the No.15 driver	03H	Read registers		
10H: to the No.16 driver	06H	Write single register		
....	10H	Write multiple registers		
63H: to the No.99 driver	08H	diagnostic		

Exception Code

The controller responses the Exception Code and send Function Code added 80H to main system if there is error happened.

Exception Code	Description
51	Frame error (Function Code error, Register Encoding error, Data Quantity Error)
52	Command can not be carried out in the RUN mode
53	Command can not be carried out in Cipher mode
54	Data value is over range
55	Reserved
56	Reserved
57	Other error
58	Commands do not match the present edited mode (Ladder or FBD)
59	Reserved

Register Address

Register address	Function	Usable command	
0000H~0016H	Coil status (word) address	03H, 06H, 10H	New command for SG2V3
0100H~012FH	Control register	03H, 06H, 10H	
0200H~0237H, 0260H	Current value of register	03H	
0300H~033BH	User character address	03H, 0H	
0400H~043EH	Preset value of register	03H, 10H	
0500H~05FFH	Coil status (bit) address	01H, 05H	
0600H~0630H	Coil status (word) address	03H, 06H, 10H	
0700H~072FH	Control register	03H, 06H, 10H	
0800H~11EFH	Current value of register	03H	
1200H~2703H	Preset value of register	03H, 06H, 10H	
2B00H~2E0FH	Coil status (bit) address	01H, 05H	

For more protocol information form '[R09-SG2-C03V04\(SG2V3 Modbus protocol\)](#)'.

Chapter 9: Expansion Module

Summarize	214
Power	216
Size.....	216
Digital IO Module.....	219
Analog Module	223
Analog Input Module 4AI.....	223
Temperature Input Module 4PT	224
Analog Output Module 2AO.....	225
Communication Module	227
MBUS Module	227
DNET Module.....	230
PBUS Module	233
EN01 (TCP/IP) Module	236
GSM Module.....	242

Summarize

Digital Input/Output module: SG2-8ER-A, SG2-8ER-D, SG2-8ET-D, SG2-8ER-24A

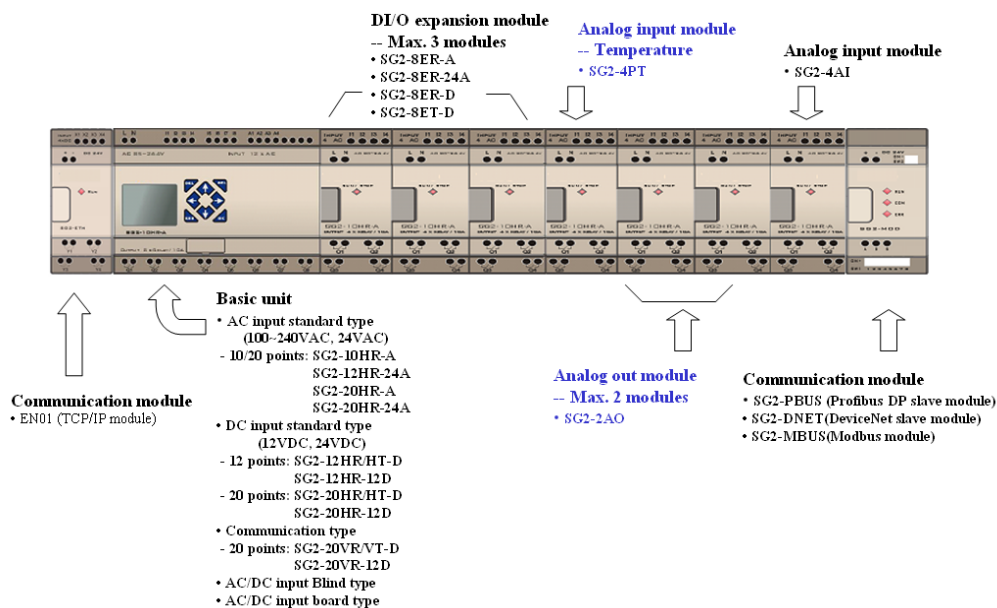
Analog Input module: SG2-4PT, SG2-4AI

Analog Output module: SG2-2AO

Communication module: MBUS, DNET, PBUS, EN01(TCP/IP), GSM

SG2 V type, H type and K type can connect with expansion module. The maximal connectible number to the expansion module is: 3 Digital IO modes, 2 Analog Output modes, 2 Analog Input modules (one 4PT and one 4AI) and 1 Communication module. If the SG2 system is combined with digital IO, analog IO and communication module, it must follow the standard arrangement, “SG2 + digital IO module + analog IO module + communication module”, otherwise it can not work correctly.

※ SG2-4AI must be the last one of analog module.



※ To all expansion modules (except EN01 and GSM), the connecting way is the same as shown in above picture.

※ The method of EN01 module and GSM module connecting to SG2 is used programming cable PL01.

※ The number of digital module must be the same with the setting of IO number in the system setting. Otherwise The SG2 will work incorrectly.

※ The scan time of SG2 main unit is about 2~20ms without any expansion module. The scan time will be longer once connecting with expansion module. Connecting different expansion module gets different influence to scanning cycle. For details, see the table below.

Expansion module	Add single module Influence	Max connecting num	Max influence to scanning cycle
Digital I/O module	scanning cycle +1ms	3	+1 ms*3=3ms
4PT module	scanning cycle +7ms	1	+7 ms*1=7ms
2AO module	scanning cycle +8ms	2	+8 ms*2=16ms
4AI module	scanning cycle +13ms	1	+13ms*1=13ms
Communication module	scanning cycle +4~16ms	5	+4~16ms*5=20~80ms

* When setting the preset value of a function block via communication module, the scan time extends about 50ms.

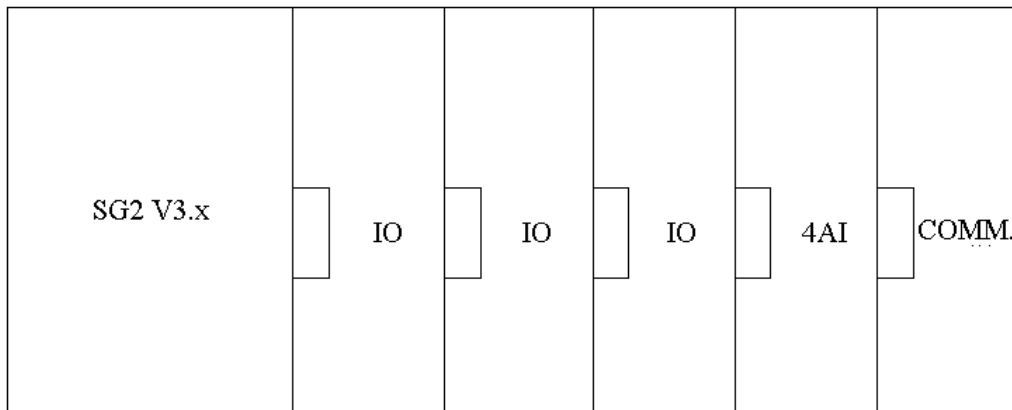
* When SG2 connects with 4PT module, the corresponding 4PT register in SG2 unit will be updated, one scan cycle update one channel, so four Channels will be update within four scanning cycles.

There are two kinds of digital models: version 1.2 and version 3.0. They can connect with SG2 together.

There are 3 kinds of connecting way for expansion modules as shown below.

Only the EN01 and GSM module need to PL01 to connected with SG2.

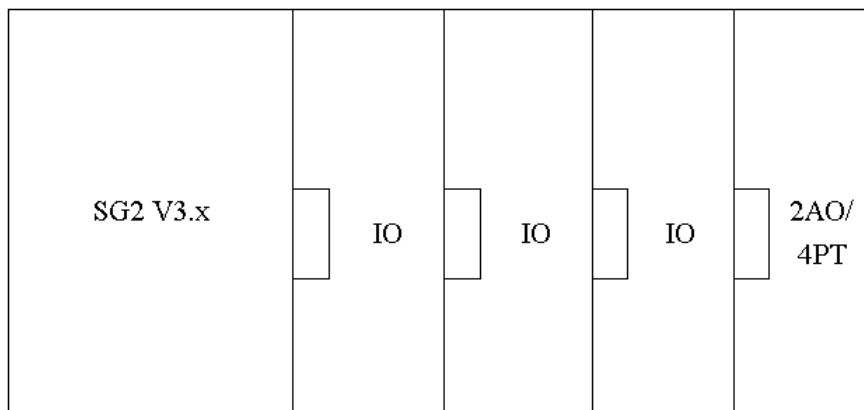
Mainframe + digital IO (V1.2/V3.0) * 3 + 4AI*1+COMM.*1



※ digital IO: SG2-8ER-A, SG2-8ER-D, SG2-8ET-D, SG2-8ER-24A

※ Digital IO version can be either 1.2 or 3.0

Mainframe + digital IO (V1.2/V3.0) * 3 + 2AO*1/4PT*1

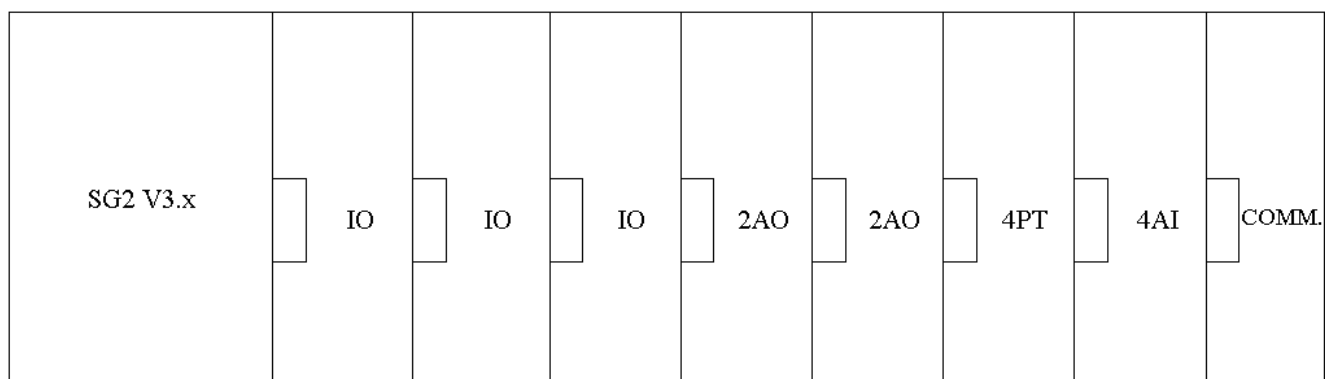


※ digital IO: SG2-8ER-A, SG2-8ER-D, SG2-8ET-D, SG2-8ER-24A

※ Digital IO version can be either 1.2 or 3.0

※ Either 2AO or 4PT.

Mainframe + digital IO (V3.0) * 3+2AO*2+4PT*1+4AI*1+ COMM.*1



※ digital IO: SG2-8ER-A, SG2-8ER-D, SG2-8ET-D, SG2-8ER-24A

※ V3.0: Digital IO version is V3.0

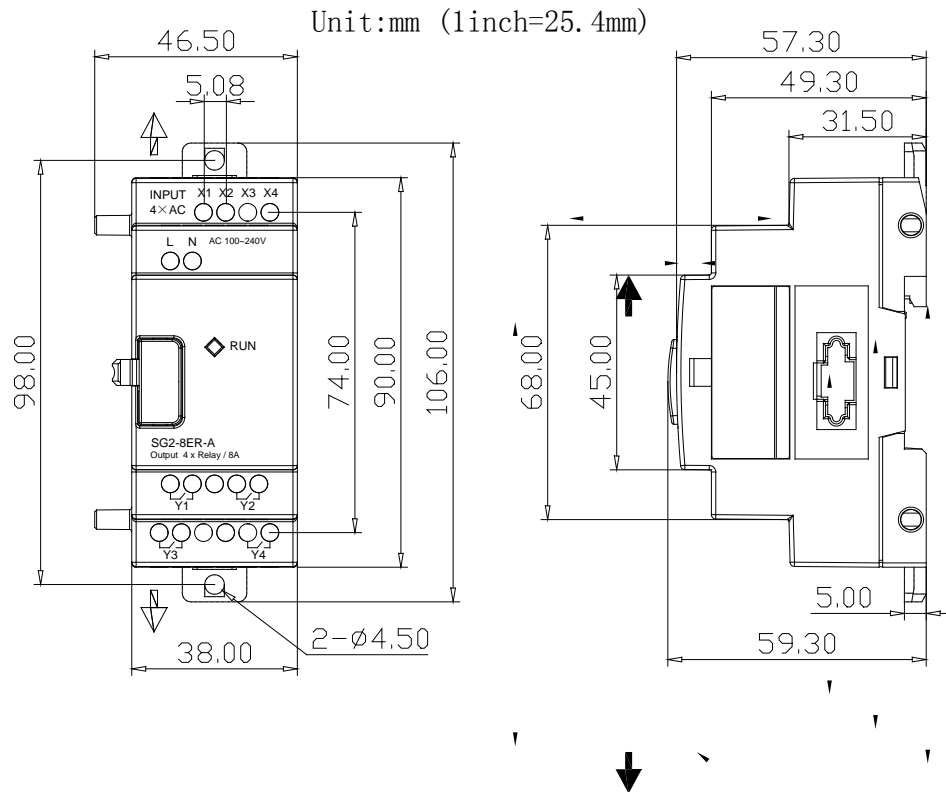
Power

The input voltage, current and power consumption for each expansion module is listed as below table:

Module	Voltage	Current	Power
SG2-MBUS	24 Vdc	80 mA	1.92w
SG2-4AI	24 Vdc	70 mA	1.68w
SG2-DENT	24 Vdc	50 mA	1.2w
SG2-PBUS	24 Vdc	50 mA	1.2w
SG2-EN01	24 Vdc	50 mA	1.2w
SG2-2AO	24 Vdc	85 mA	2.04w
SG2-4PT	24 Vdc	55 mA	1.32w

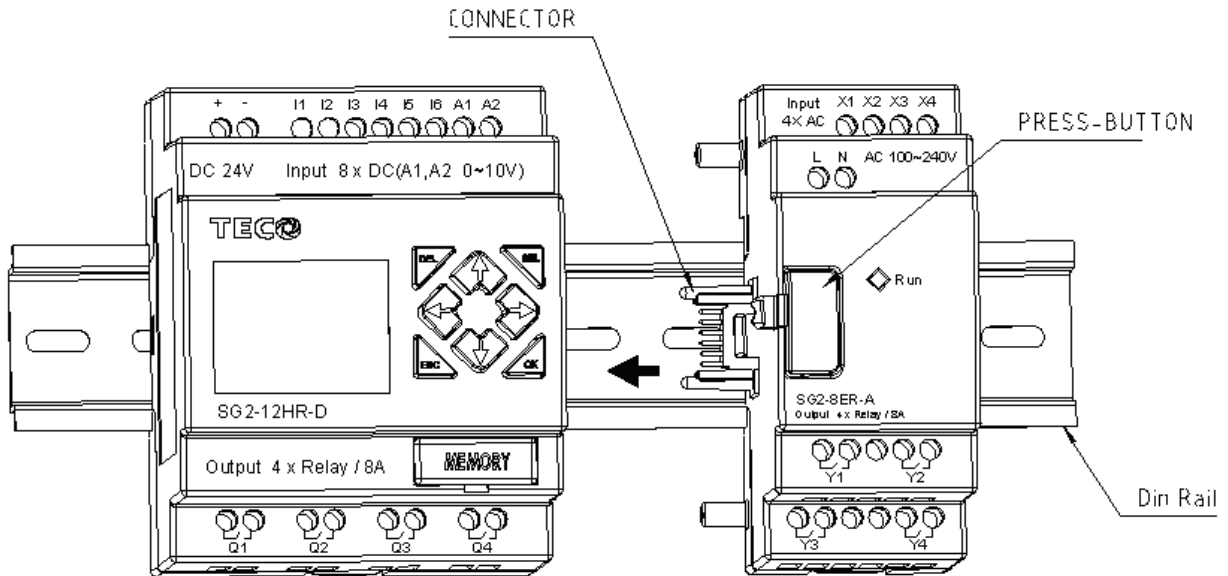
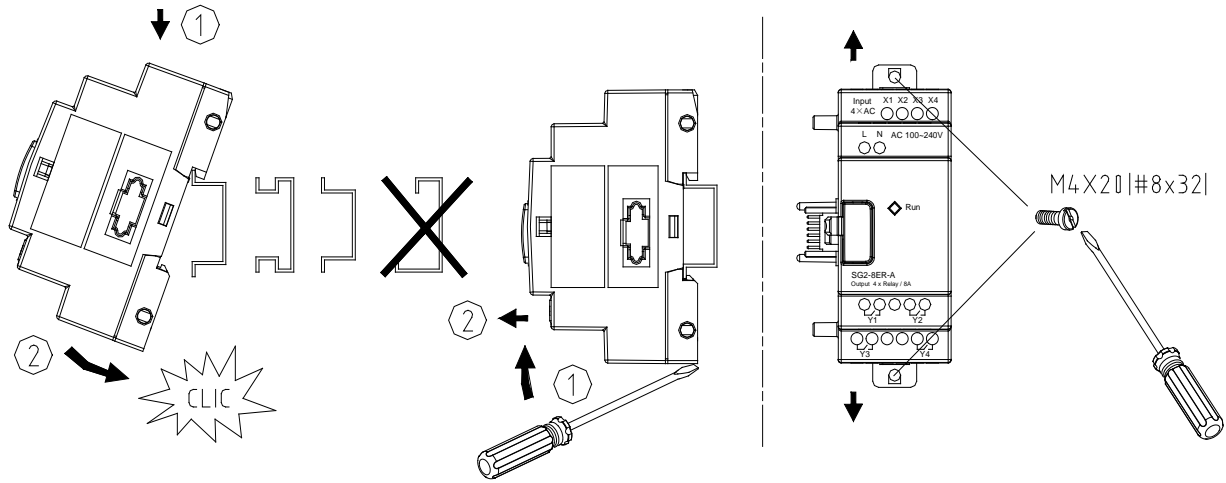
Size

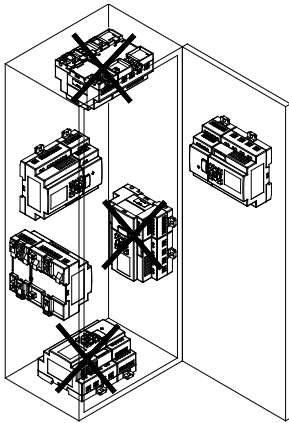
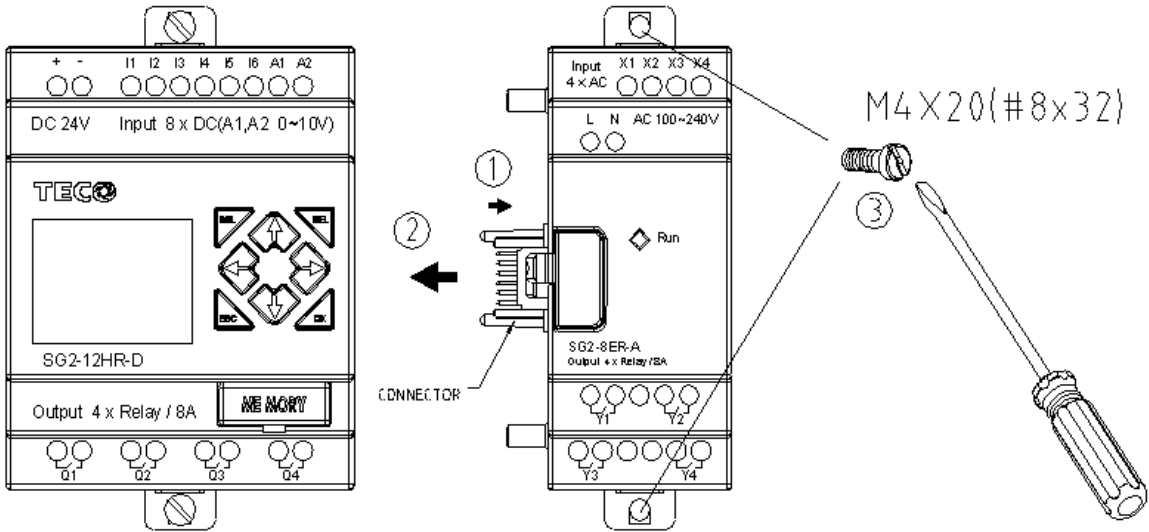
※ All the expansion modules' size is the same as shown below.



Installation

※ All the expansion modules (except EN01 and GSM module) installation method is the same as shown below.





mm ²	0.14...1.5	0.14...0.75	0.14...2.5	0.14...2.5	0.14...1.5
AWG	26...16	26...18	26...14	26...14	26...16
 ø 3.5 (0.14in)	C		C		
			Nm	0.6	
		lb-in	5.4		

DANGER:

HAZARDOUS VOLTAGE

Cut off all power before maintenance

Electric shock will result in death or serious injury.

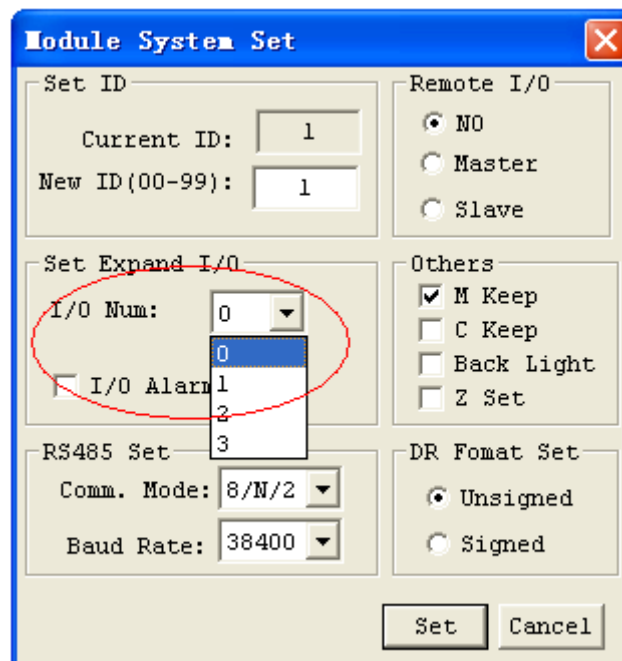
Digital IO Module

The SG2 must set the number of expansion IO when connect with expansion module. The method of setting IO number is shown below.

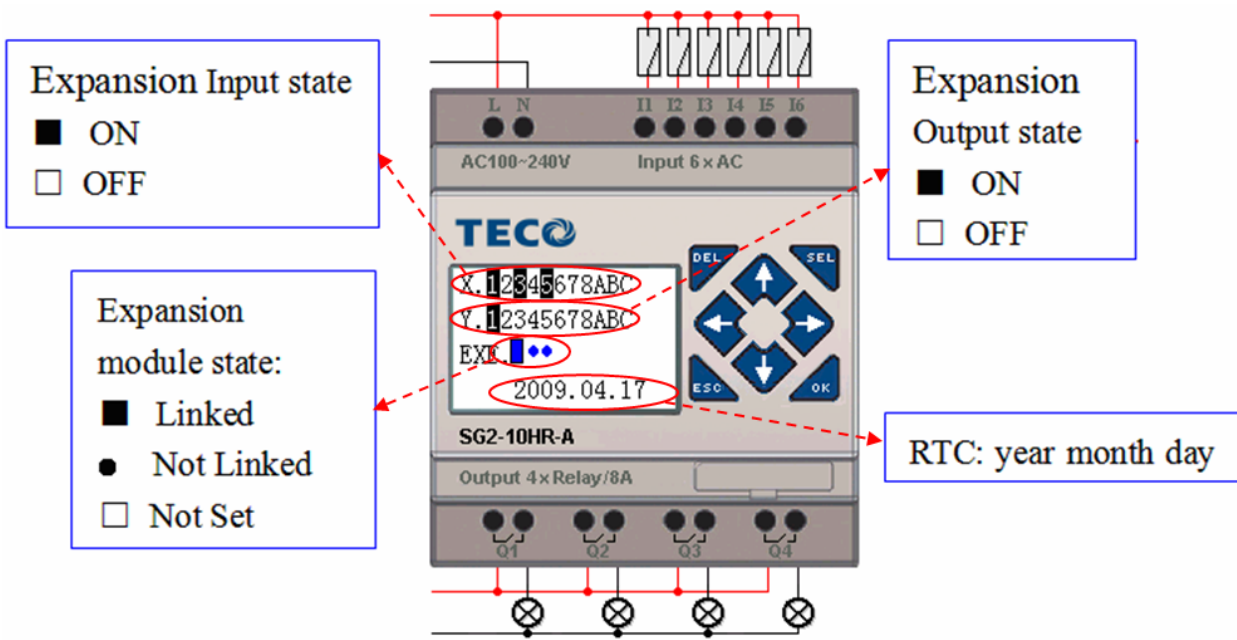
1) Keypad



2) SG2 Client software

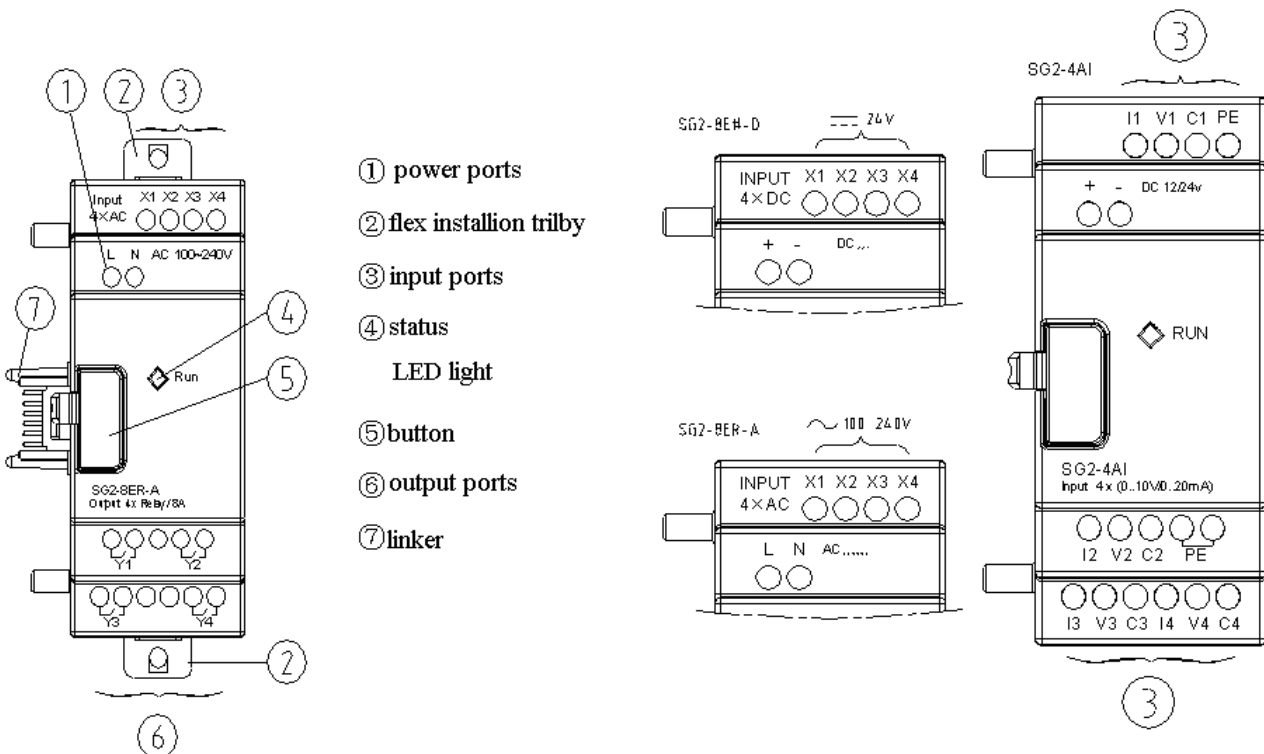


Expansion display State



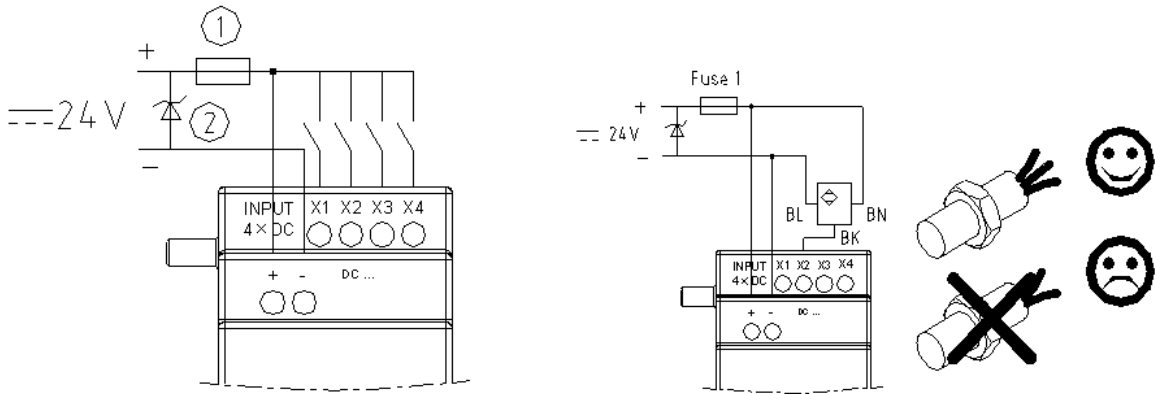
Installation and Wiring

E type of expansion module: SG2-8ER-D/8ET-D, SG2-8ER-A/8ER-24A



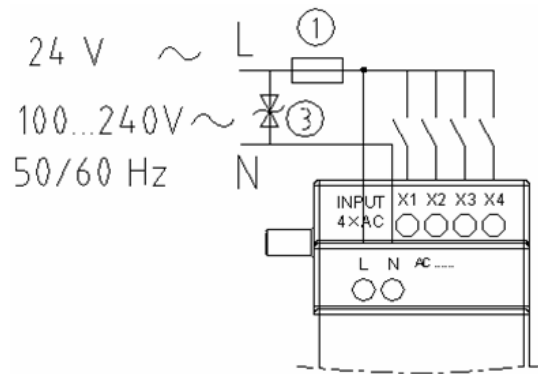
Wiring

1) 24V DC power input



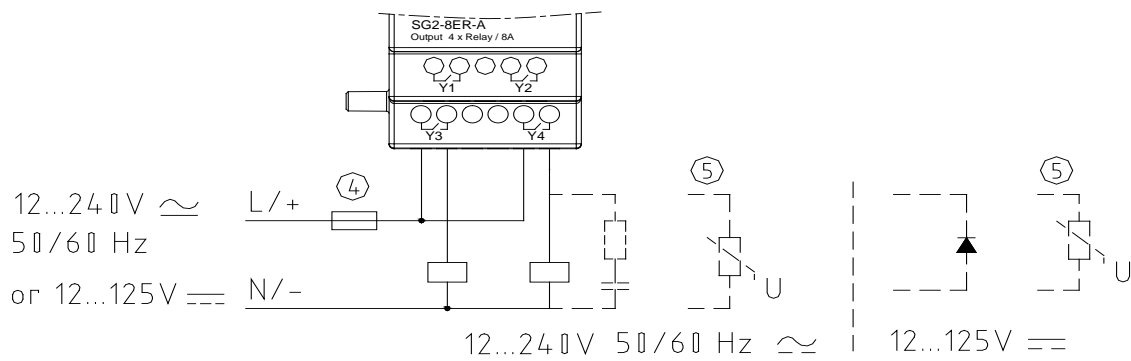
SG2-8ER-D/8ET-D

2) 24V/100~240V AC power input

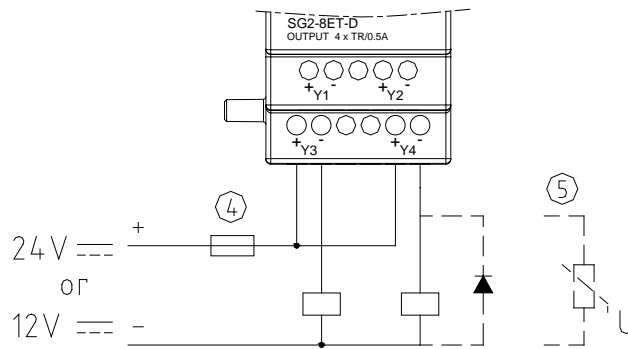


SG2-8ER-A/8ER-24A

3) Relay Output



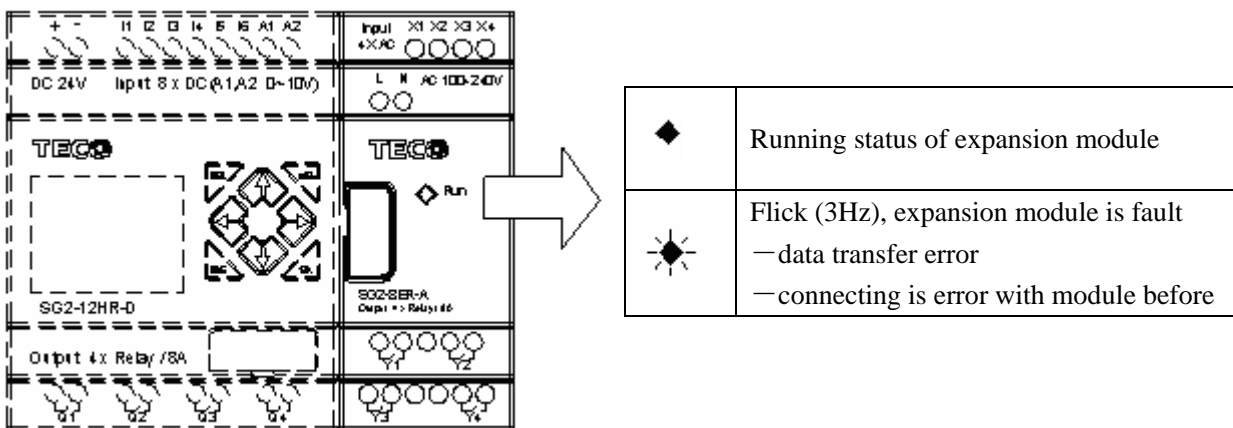
4) Transistor output



- ①-1A quick-blowing fuse, circuit-breaker or circuit protector
- ②-Surge absorber (43V DC)
- ③-Surge absorber (Input 24VAC:43V; Input 100~240VAC:430V AC)
- ④-Fuse, circuit-breaker or circuit protector
- ⑤-Inductive load

※ AC inductive load needs to connect Surge absorber in parallel way to absorb the noise if the SG2 output terminal is the relay type. DC inductive load needs parallel connect commute diode if the SG2 output terminal is the relay type. The specification of inverse voltage for commute diode should be more than 5~10 times the rated current of the circuit, and the specification of positive current of diode should be more than load current. Inductive load needs parallel connect commute diode if the SG2 output is transistor.

Digital IO module and Analog module both have indicator light in orange color. The state of indicator light in different operation state is the same. The state of indicator light is shown below.



Analog Module

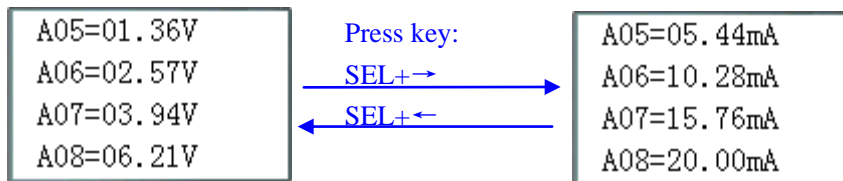
The maximal connectible number of Analog expansion module to SG2 is 2*2AO, 1*4PT and 1*4AI.

Analog Input Module 4AI

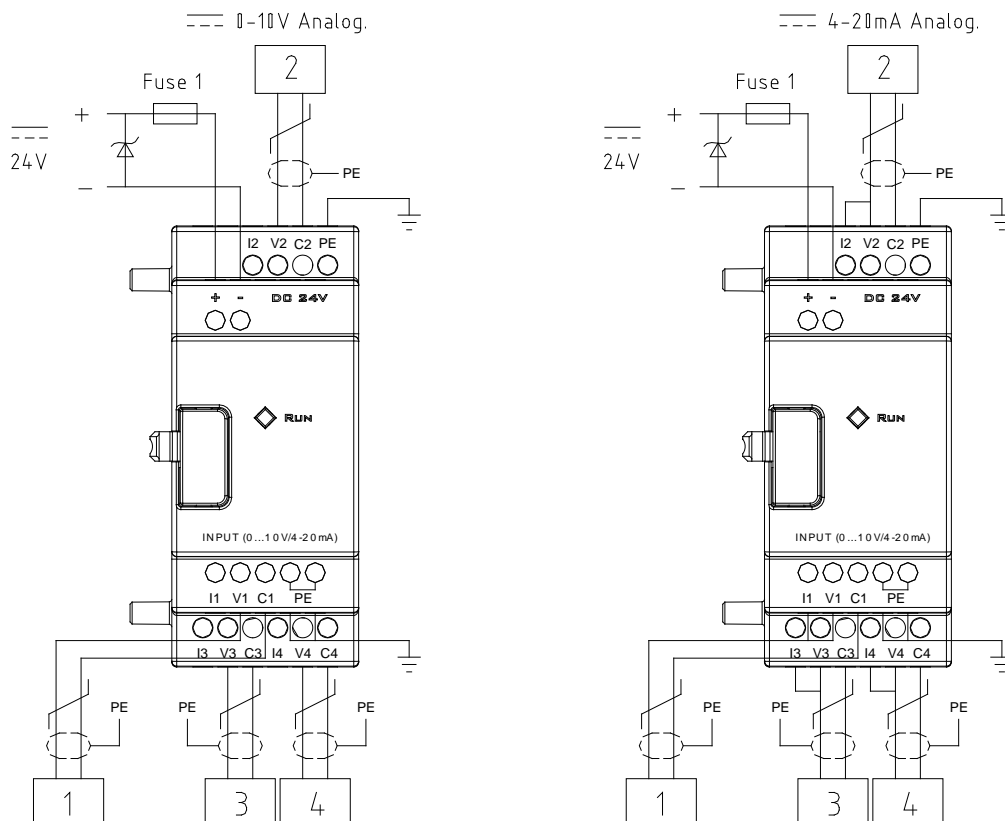
The 4 channel 12bits analog input module, 4AI, has the corresponding registers, A05~A08, DREC~DREF, DRE4~DRE7. It can accept either 0~10V or 0~20mA signal, the range of the measured value is different which depends on the input signal mode. See the below table for more information.

content		standard	
Mode		voltage	current
Analog output range		0V~10V	0mA~20mA
Differentiation		10mV	40μA
Digital output		0.00V~9.99V	0.00mA~20.00mA
Register value	A05~A08	0~999	0~500
	DREC~DREF	0~4095	0~2047
	DRE4~DRE7		0~2000
Definition		±2.5%	±2.5%

The current value of 4AI input displaying as shown below:



Wiring



Temperature Input Module 4PT

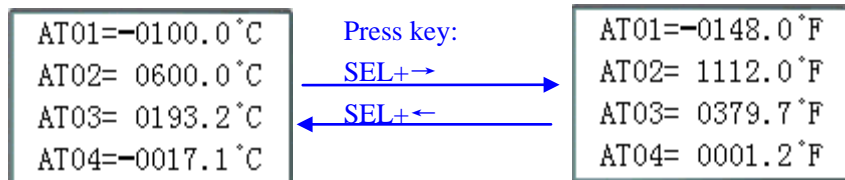
The 4 channel 12bits temperature (PT100) analog input module, 4PT, has the corresponding registers with AT01~AT04.

content	standard
Temperature input range	-100°C~600°C
Digital output	-100.0°C~600.0°C
Differentiation	0.1°C
Definition	±1%

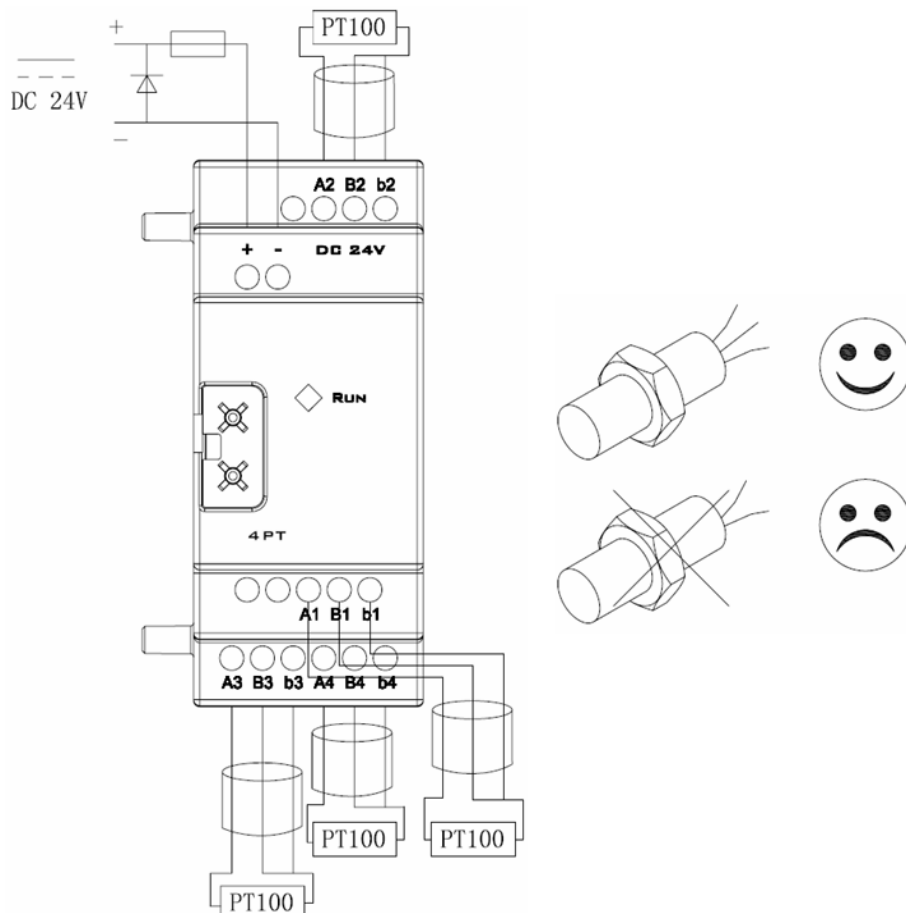
The input value of SG2-4PT is over range if wiring error or no input, SG2 will not update the corresponding channel, and the corresponding Error coil (M) turns ON.

coil	AT number	
M34	AT01	SG2-4PT channel 1 error
M35	AT02	SG2-4PT channel 2 error
M36	AT03	SG2-4PT channel 3 error
M37	AT04	SG2-4PT channel 4 error

The current value of 4PT input displaying as shown below:



Wiring



Analog Output Module 2AO

SG2 main unit can connect with two 2-channel, 12bits analog output module, 2AO, at the same time. The close one will be auto-assign to AQ01~AQ02, and the other is distributed to AQ03~AQ04. It can out 0~10V voltage signal or 0~20mA current signal, and the data in the 12bits data register, DRD4~DRD7, will determined the output of AO channel. See the below table for more information.

content		standard	
Mode		voltage	current
Analog output range		0V~10V Load impedance should be bigger than 500 Ω	0mA~20mA Load impedance should be smaller than 500 Ω
Differentiation		10mV	40 μ A
Digital output		0.00V~10.00V	0.00mA~20.00mA
Register value	AQ01~AQ04	0~1000	0~500
	DRD4~DRD7	0~4095	0~2047
Definition		$\pm 2.5\%$	$\pm 2.5\%$

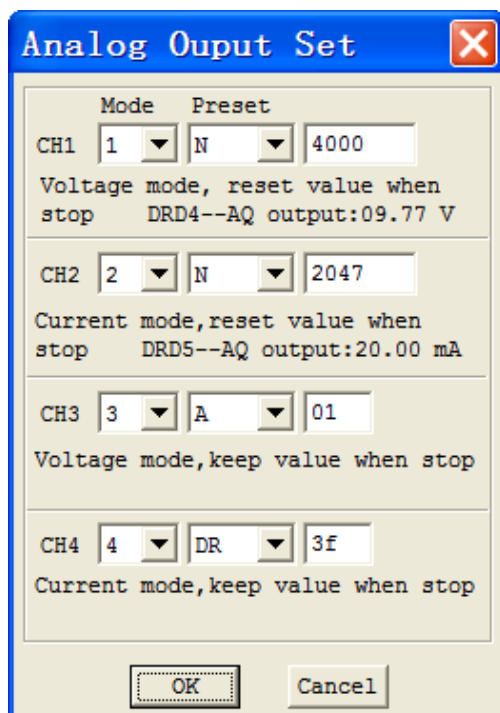
The output mode of AQ is set by the current value of DRD0~DRD3

	Output Register	Mode Register	Mode	DRD0~DRD3 data definition
Channel 1: AQ01	DRD4	DRD0	1	0: voltage mode and reset value when stop;
Channel 2: AQ02	DRD5	DRD1	2	1: Current mode and reset value when stop;
Channel 3: AQ03	DRD6	DRD2	3	2: voltage mode and keep value when stop;
Channel 4: AQ04	DRD7	DRD3	4	3: Current mode and keep value when stop;

※ Analog output works in mode 1 if the value of the mode register, DRD0~DRD3, is larger than 3.

The appearance of AQ value on the HMI screen

The HMI on SG2 displays the code of selected coil when SG2 at STOP mode, and showing the current value at RUN mode, see the below figure to get more information.



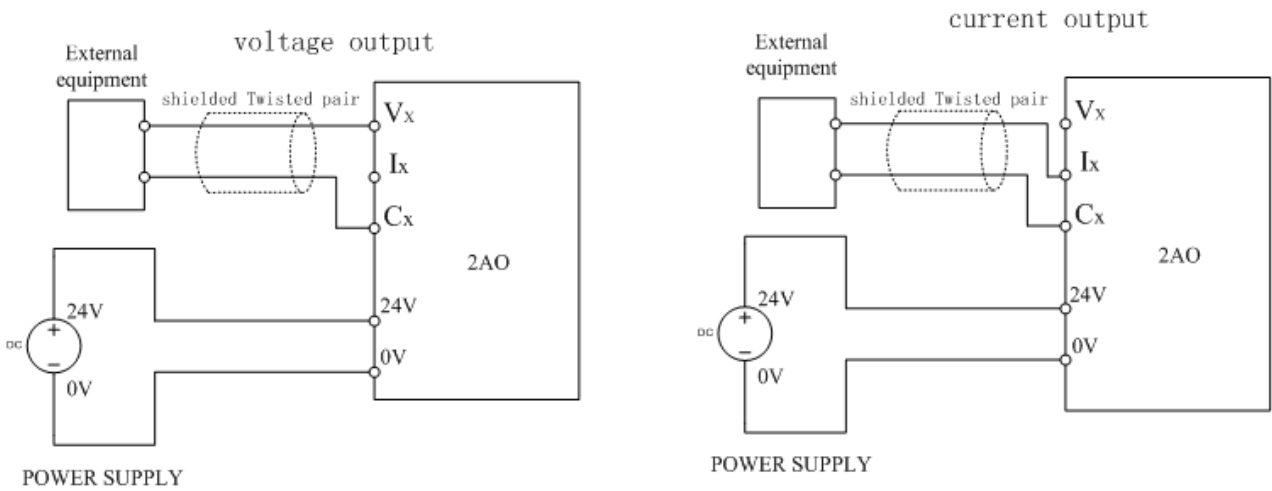
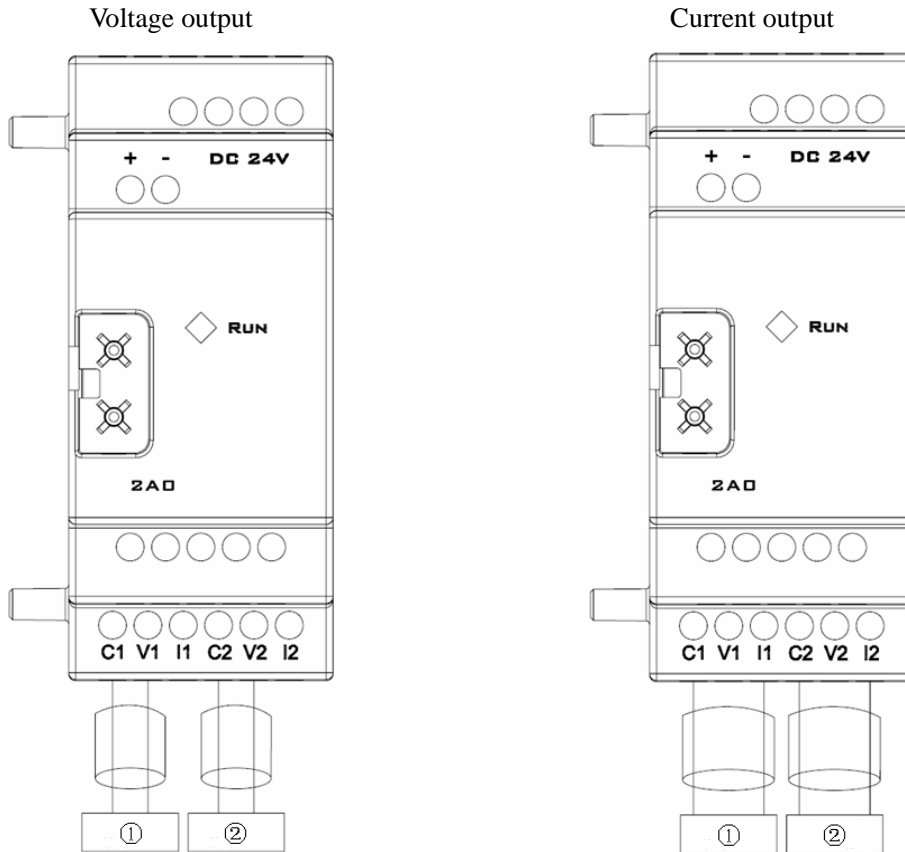
STOP display	RUN display
AQ01=09.77V	AQ01=09.77V
AQ02=20.00mA	AQ02=20.00mA
AQ03= A01 V	AQ03=02.10V
AQ04=DR3F mA	AQ04=00.00mA

When AQ mode is in current mode, the relationship among the DR, AQ output and display value is shown as below:

DRD5=2047, AQ02=500, display: 20.00mA

- ※ When the preset value in “Analog Output Set” screen is a constant, this value will be stored in DR register, (DRD4~DRD7) and the AQ value equals to $(DRx/4.095)$. For example, CH1 is configured as mode 1, set a constant value, 4000, then the value of AQ01 will be 977, and HMI displays 9.77V.
- ※ Once the preset value refers to other variable, its value is also stored in DR register, (DRD4~DRD7), but it will be equal to $AQx * 4.095$. ($DRx=AQx*4.095$).
- ※ More information about expansion analog input to see: [Chapter 5 Relay Ladder Logic Programming –AQ \(Analog output\)](#).

Wiring



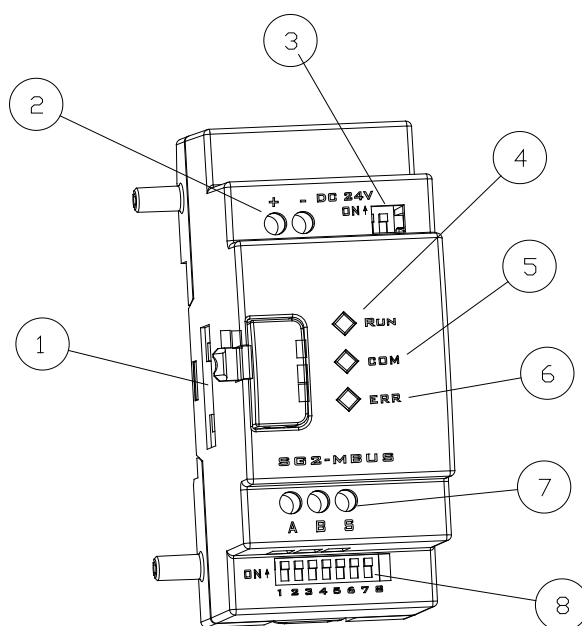
Communication Module

MBUS Module

Summarize

MBUS module makes SG2 without the ability of communication control be controlled with other controller via RS 485 Modbus protocol. MBUS just can make SG2 work as slaver, responses the request of master, but it can't work as master. MBUS makes the scan time of SG2 become longer; and it depends on the content of the communication command. Normally, the extended time is less than 20ms, but it will be 100ms if the order is to set the preset value of function.

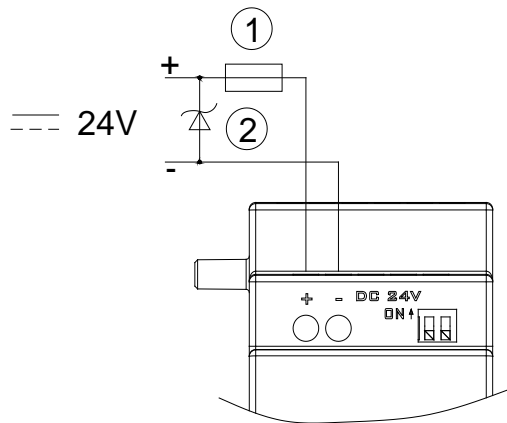
MBUS Cell Configuration



- ①: Connecting port
- ②: Power
- ③: SW2, 2-bit switch (terminal resistance selection)
- ④: RUN, running LED light
- ⑤: COMM. Communication LED light
- ⑥: Error, state LED light
- ⑦: RS 485 port
- ⑧: SW1, 8-bit switch (set format of communication)

Connect with electrical source

Input 24VDC



①-1A quick-blowing fuse, circuit-breaker or circuit protector.

②-Surge absorber.

Communication set

The MBUS communication baud rate and format can be set by 8 switches (DIP), SW1.

Baud rate

SW1-1~SW1-3 set communication baud rate is 4.8K, 9.6K, 19.2K, 38.4K, 57.6K as shown below.

SW1-1	SW1-2	SW1-3	SW1-6	Baud rate (Kbps)
OFF	OFF	OFF	OFF	4.8
ON	OFF	OFF	OFF	9.6
OFF	ON	OFF	OFF	19.2
ON	ON	OFF	OFF	38.4
*	*	ON	OFF	57.6
*	*	*	ON	38.4

※ * can be ON or OFF

Parity bit and stop bit

SW1-4~SW1-5, set stop bit and verifying bit

SW1-6, assembled setting

SW1-7~SW1-8, reserved

More information as shown below:

SW1-4	SW1-5	SW1-6	SW1-7	SW1-8	Stop bit, parity bit, assembled set
OFF	OFF	OFF	*	*	2 stop bits, no parity bit
OFF	ON	OFF	*	*	1 stop bit, no parity bit
ON	OFF	OFF	*	*	1 stop bit, 1 odd parity bit
ON	ON	OFF	*	*	1 stop bit, 1 even parity bit
*	*	ON	*	*	SW1-1~SW1-5 are inefficiency, communication format is default as 38.4Kbps, 2 stop bits, no parity bit

※ * can be ON or OFF

Address

The ID of MBUS module, whose range is from 0H used for broadcast address to 63H, must be the one of the ID setting of SG2 basic unit. Modify the ID number of the SG2 main unit, this new ID is effective when restart the power or it dose not receive any communication command within 0.5s.

LED state display

Error code	State indication	Error type and reason	Manage method	remark
56H	The error LED light flick slow (2Hz)	The connection between SG2 and COMM. Mode is improper	check-up connection among SG2, IO mode and COMM. Mode	The question is connection with the mode before it if there are many expansion modes.
55H	The error LED light is ON	SG2 set error: IO number set is different from factual.	check-up SG2 set	
51H 54H	The error LED light flick slow (2Hz)	ModBus order error: data frames, function code, address of register, CRC , data unseemliness, verifying error, etc.	check-up the order and communication set according COMM. protocol	
59H	The error LED light flick quickly(5Hz)	COMM. data error: Verifying bit error, Length of data respond error, CRC error	Make sure the connection between SG2 and COMM. Mode is credible, describe environment interfere.	

※ More information to see [R06-SG2-MBUS-D01V31\(SG2-MBUS Communication User Manual\)](#).

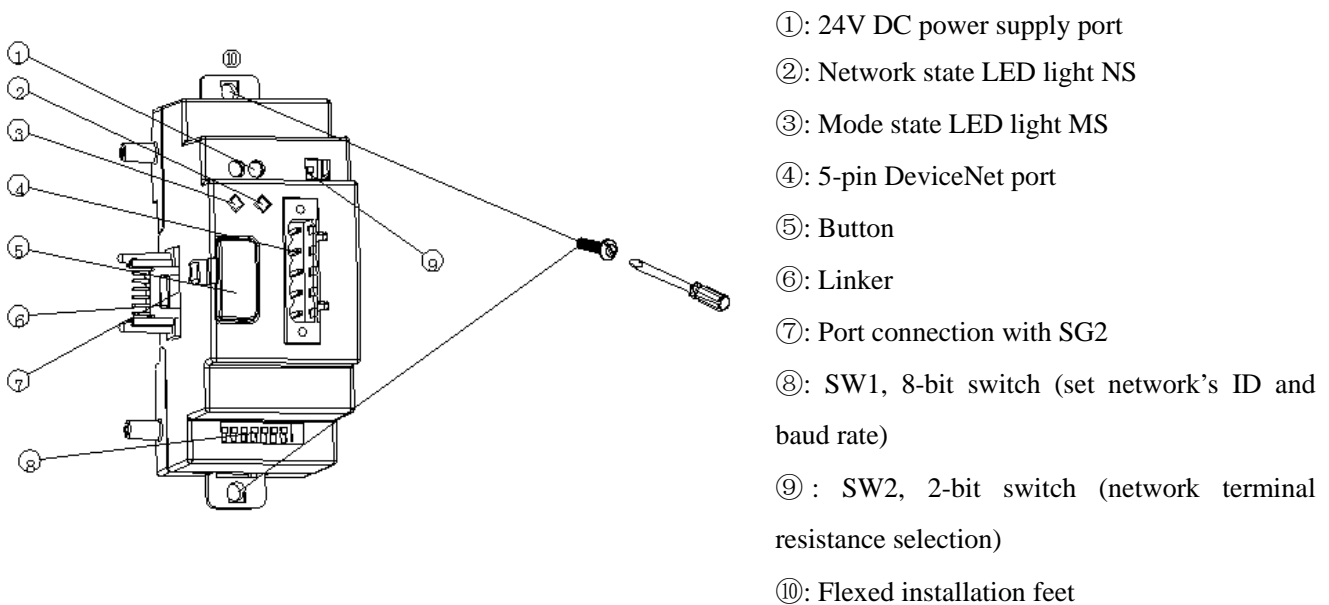
DNET Module

Summarize

DNET makes SG2, which doesn't have the ability of DeviceNet, to work in DeviceNet network. At DeviceNet side, DNET is a GROUP 2 ONLY equipment, slave equipment in this network. At PLC side, DNET communicate with SG2 through SG2 COMM. Port, it is point-to-point communication equipment.

DNET is together with SG2 as one slave equipment in DeviceNet network.

DNET Cell Configuration



DNET function description

Support predefine master slave connection

Support predefine explicit message connection

Support predefine poll IO message connection

Support explicit and IO message fragment

Support duplicate MAC Id check

UCMM incapable device

No bit-strobe IO message

No change of state and cycle IO message

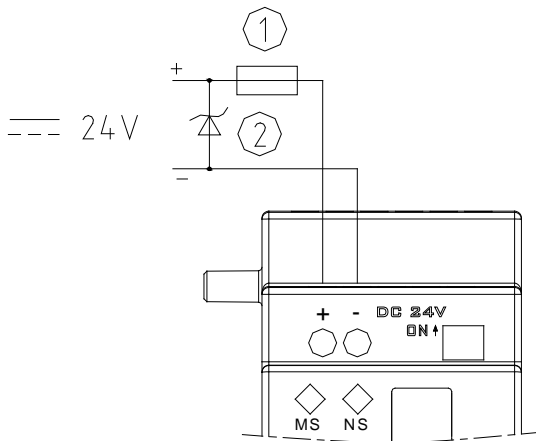
No device communication faulted message

No device heartbeat message

No device shutdown message

Connect with electrical source

Input 24VDC

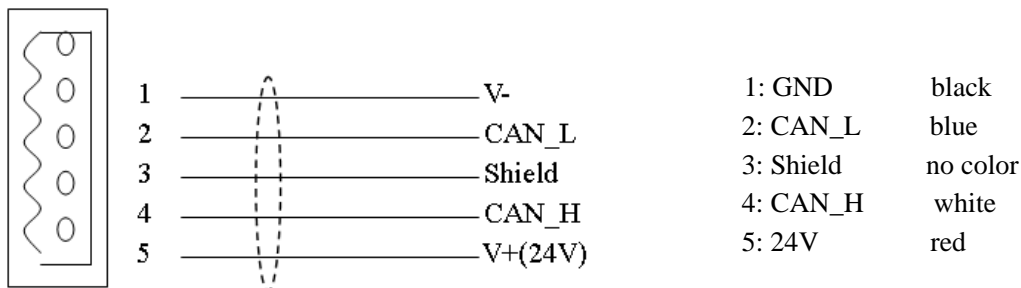


①-1A quick-blowing fuse, circuit-breaker or circuit protector.

②-Surge absorber.

Connect with DeviceNet network

Using 5-pin network tie-in connected DNET to DeviceNet bus. Please use network tie-in and cable ordained by ODVA. The style of cable decides the maximal length of cable and baud rate of communication at more degree.



Address and Baud rate set

In equipment network, each slave node needs a difference MAC ID, and the maximal number of ID is 64 (0~63). The address of node can be set by SW1-1~SW1-6 of DNET oneself mode. And the baud rate of communication can be set by SW1-7 and SW1-8, the baud rate set must be the same as equipment network.

SW1_1~SW1_6: ID in network

SW1-1	SW1-2	SW1-3	SW1-4	SW1-5	SW1-6	ID
OFF	OFF	OFF	OFF	OFF	OFF	0
ON	OFF	OFF	OFF	OFF	OFF	1
OFF	ON	OFF	OFF	OFF	OFF	2
ON	ON	OFF	OFF	OFF	OFF	3
OFF	OFF	ON	OFF	OFF	OFF	4
----	----	----	----	----	----	----
OFF	ON	ON	ON	ON	ON	62
ON	ON	ON	ON	ON	ON	63

SW1_7~SW1_8: Baud rate

SW1-7	SW1-8	Baud Rate
OFF	OFF	125K
ON	OFF	250K
OFF	ON	500K
ON	ON	Reserved (default baud rate: 125K)

LED state display

DNET has two LED lights, watching itself and communication Bus' state.

1) mode state LED (MS)

Double color LED (green and red) indicates DNET state.

Module status LED	Explanation	Correct or prevent fault
Off	No power	Power up
Green on	Normal operation status	No
Green flash	No connected with SG2 basic unit	Connected with SG2 correctly.
Red flash	Connect with SG2 but communication error.	Set SG2 IO number correctly.
Red on	Device hardware error.	Use a new module.

2) network state LED (NS)

Double color LED (green and red) indicates equipment network bus state.

Net status LED	Explanation	Correct or prevent fault
Off	·No power. ·The device is a single node in the net.	Power up. Add other device in the net.
Green on	Normal operation mode, and connected with master.	No
Green flash	Normal operation mode, but not connected with master or had be set free	No
Red flash	IO connection time out, waiting green flash after a few seconds.	No
Red on	·Dup MAC ID check error ·Communication error and restart	Replace node address and power up again.

※ More information about protocol and EDS file to see:

[R06-SG2-DNET-D01X30\(SG2-DNet user manual\)](#)

[R09-SG2-DNET-C02X30\(04D2000C00020300\).eds](#)

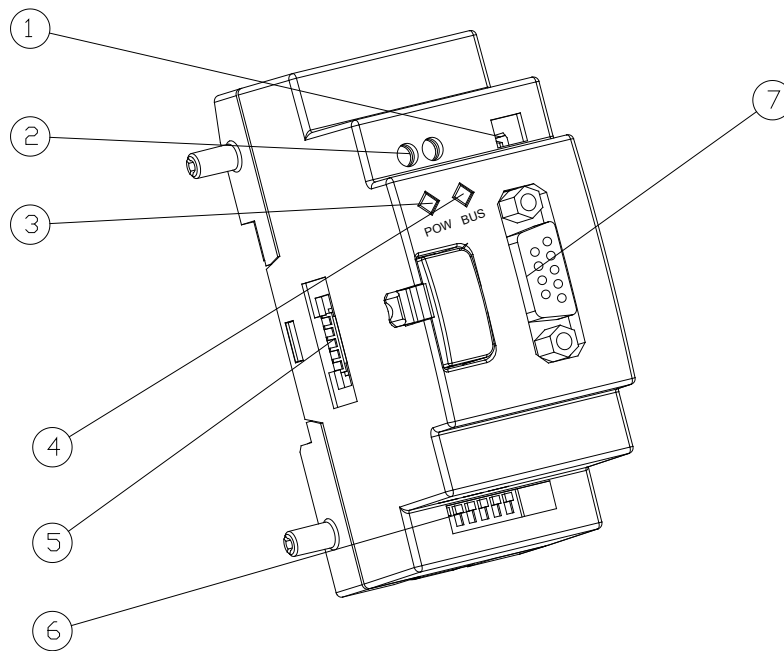
PBUS Module

Summarize

PBUS makes SG2, which can't work in ProfiBus DP network, to work in ProfiBus DP network. At ProfiBus DP side, PBUS mode is a gateway, a slave node in network. At PLC side, PBUS communicate with SG2 through SG2 COMM. Port, it is point-to-point communication equipment.

PBUS is together with SG2 as one slave equipment in ProfiBus DP network.

PBUS Cell Configuration



①: 2-bit switch (terminal resistance selection)

②: 24V DC power supply port

③: Power indicate light

④: BUS indicate light

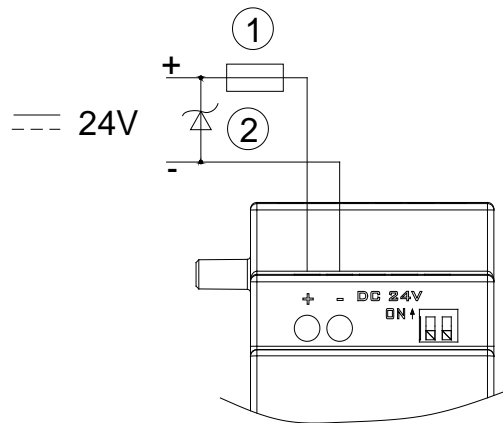
⑤: Port connection with SG2

⑥: 8-bit switch (slave node ID set)

⑦: 9-hole PROFIBUS DP socket

Connect with electrical source

Input 24VDC



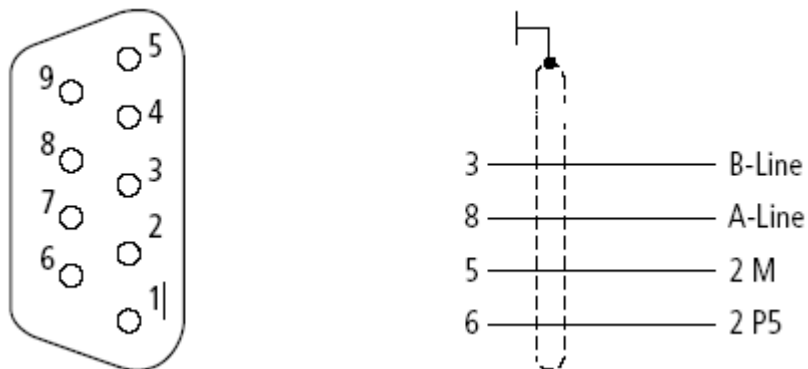
①-1A quick-blowing fuse, circuit-breaker or circuit protector.

②-Surge absorber.

Connection with Profibus Net

Using 9-hole pin to connect with PROFIBUS DP bus, please use the regulated pin and cable.

Ports assign:



NO.	name	description
1	reserved	
2	reserved	
3	RxD/TxD-P (B- Line)	Send/receive data (positive)
4	reserved	
5	DGND (2M)	Digital GND
6	VP(2 P5)	+5V DC (supply bus expansion)
7	reserved	
8	RxD/TxD-N (A-Line)	Send/receive data (negative)
9	reserved	

Baud rate adapt oneself and address set

After PBUS mode powers up, it can identify the baud rate on Profibus automatically when at least one master sends right message. The baud rate range is: 9.6Kbit/s ~6Mbit/s. In equipment network, each slave node has a difference ID, and the maximal number of ID is 127 (0~126). Its ID can be set by 8-bit switch integration on itself.

SW-1	SW-2	SW-3	SW-4	SW-5	SW-6	SW_7	SW_8	ID
OFF	OFF	OFF	OFF	OFF	OFF	OFF	*	0
ON	OFF	OFF	OFF	OFF	OFF	OFF	*	1
OFF	ON	OFF	OFF	OFF	OFF	OFF	*	2
ON	ON	OFF	OFF	OFF	OFF	OFF	*	3
OFF	OFF	ON	OFF	OFF	OFF	OFF	*	4
----	----	----	----	----	----	----	*	----
ON	OFF	ON	ON	ON	ON	ON	*	125
OFF	ON	ON	ON	ON	ON	ON	*	126

※ The SW_8 bit is reserved.

LED state display

PBUS module has two number of double color LED (green and red) used for fast diagnostics, to indicate the state of COMM. Bus and itself.

1) power LED

State of LED	Description
Green ON	natural
Yellow (red and green) flash (4Hz)	Hardware error
Yellow (red and green) flash (2Hz)	IO number error
Red flash (2Hz)	Connection with SG2 error
Red flash (1Hz)	Read/write order COMM. With Network bus error
OFF	Power down

2) BUS LED

State of LED	Description
Green ON	Connect with DP Net and communication right
OFF	Not connect with DP Net

※ More information about protocol and GSD file to see:

[R09-SG2-DP-C04 X 30 \(SG2-PROFIBUS-DP manual E\)](#)

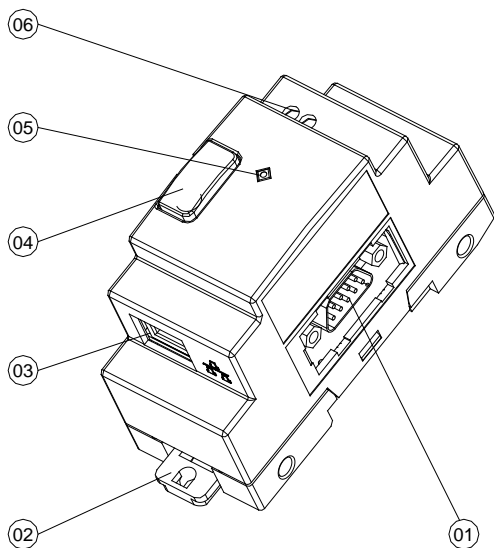
[TECO_SG2.GSD](#)

EN01 (TCP/IP) Module

Summarize

EN01 makes SG2 to work in TCP/IP network, read, write and monitor program by software PC Link.

EN01 Cell Configuration



①: 9-hole socket (PL01 connect with SG2)

②: Flexed installation feet

③: TCP/TP port

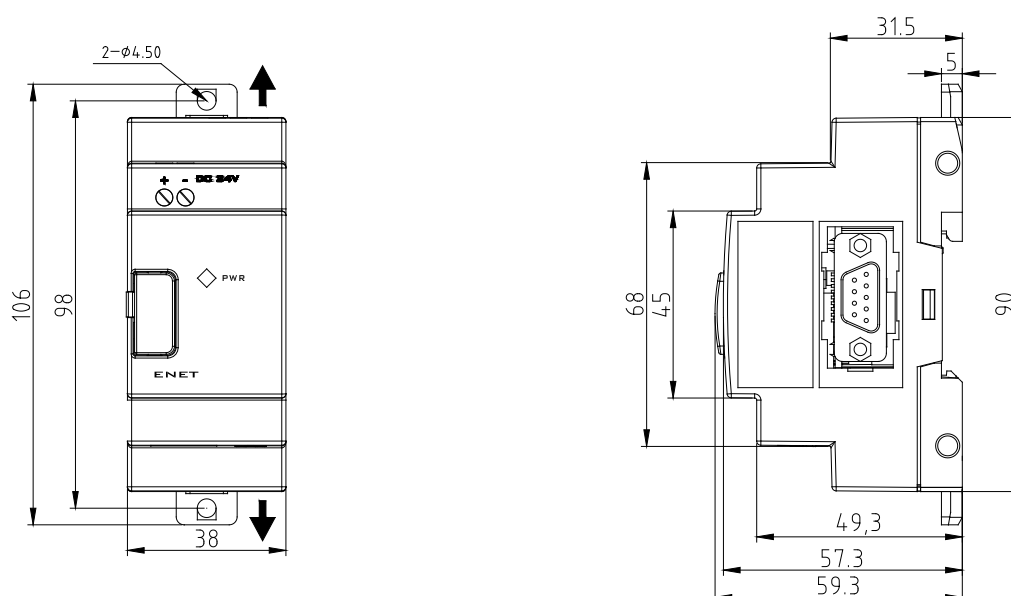
④: Button

⑤: Power indicate light (orange)

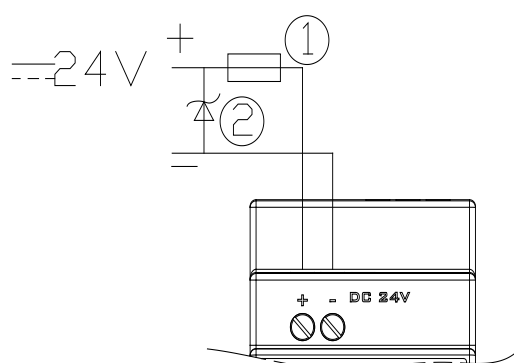
⑥: 24V DC power supply port

Dimensions

Unit: mm (1inch=25.4mm)



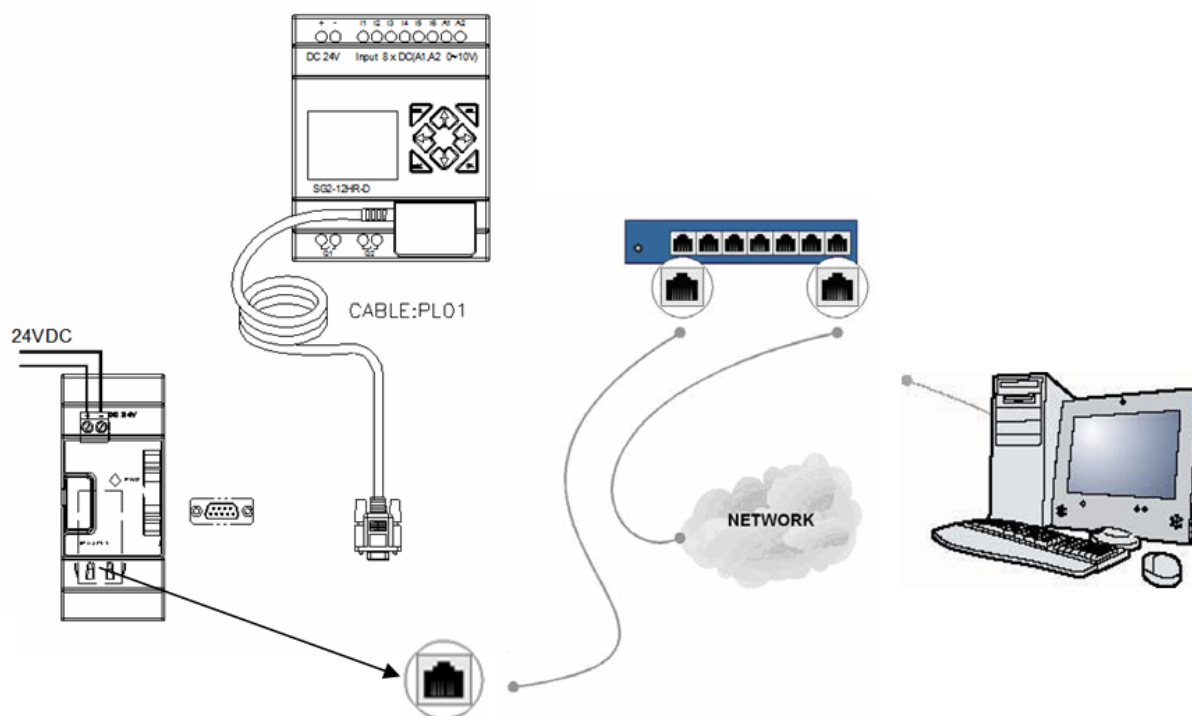
Connect with electrical source



①-1A quick-blowing fuse, circuit-breaker or circuit protector.

②-Surge absorber.

Communication (product EN01)



Verification Check: If powered up correctly, the EN01 Evaluation Board power LED indicator lights orange and remains on.

Install Device

1. Select dotnetfx.exe and Run.
2. Select XPortInstallerSetup.msi and Run.
3. Select red32bit_3.0.0.2.exe and Run.

Note: Obtain the software from supplier and after you complete the installation, please restart your Computer.

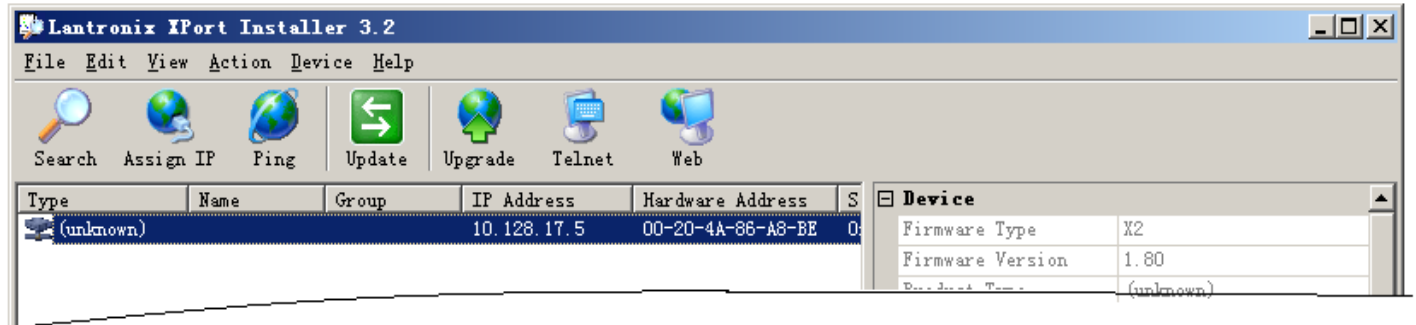
Configure

You can use Local area network or Ethernet to configure this module. In the Ethernet this module need to have the IP address that can visit. You can obtain the IP address through the Network address Translation or The manager of the Ethernet. In the Local area network, please be sure to follow the procedures given below.

1. Click **Start** in the Windows Taskbar → **Programs** → **XPortInstaller** → **XPortInstaller**.



2. Click the **Search** icon and choose it.



A. Hardware Address

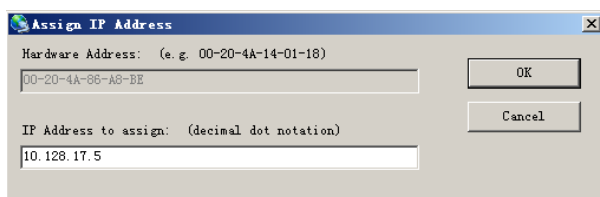
The format: 00-20-4A-XX-XX-XX, where the XXs are unique numbers assigned to the product.

B. IP Address

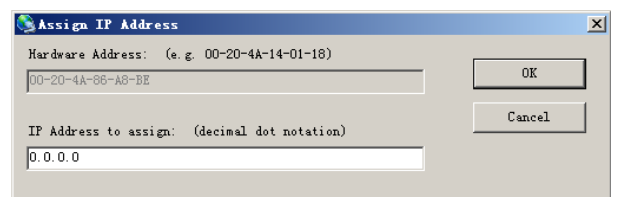
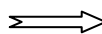
EN01 must have a unique IP address on your network. The systems administrator generally provides the IP address, subnet mask, and gateway. The IP address must be within a valid range, unique to your network, and in the same subnet as your PC. The format: 0.0.0.0 (e.g. 10.128.19.119).



3. Click the **Assign IP** icon.



Click the **Assign IP** icon



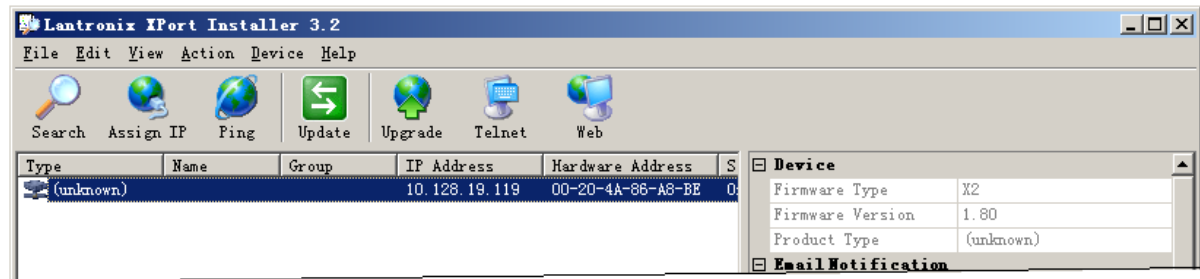
Enter the IP address Format and click **OK**


Note: Enter the IP address Format: 0.0.0.0, and click **OK**.

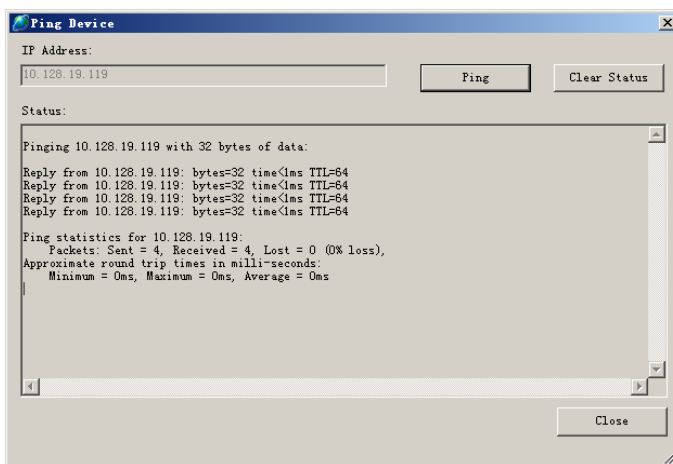
Waiting for about 10Sec and the window displays in your window, click **OK**.



4. Click the **Search** icon  and choose it.



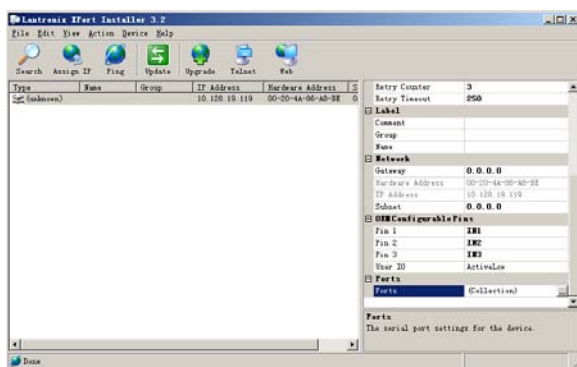
5. Click the **Ping** icon  → **Ping** button. The results display in the Status area, make sure the unit is properly attached to the network and that the IP address assigned is valid for the particular network segment you are working with. Click the **Close** button.



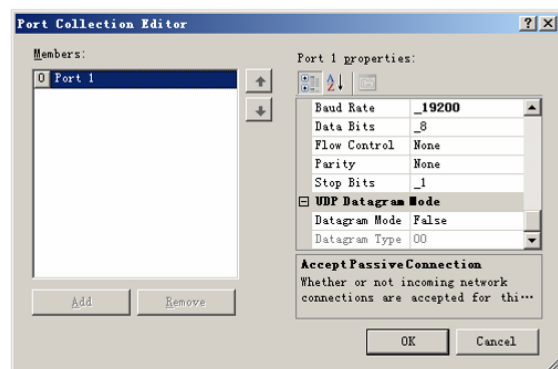
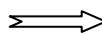
6. Click the **Ports**. Rework the **Baud Rate** member, **Data Bits** member, **Stop Bits** member. But make sure these members accord with the Main type module. Write down the **Local Port** member: **10001**. When you are finished then click **OK**. Click the **Update Settings** button to save your settings.

Note1: We recommend **Baud Rate: 19200bps; Data Bits: 8; Stop Bits: 1; Parity bit: no parity**.

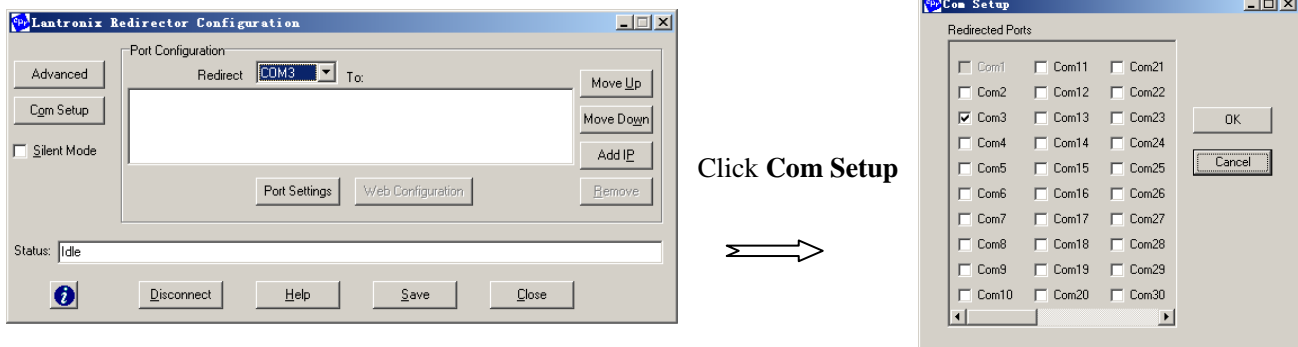
Note2: When you click the **Update Settings** button to save your settings, the “status: **online**” will turn to “status: **busy**”; Waiting for about 5 Sec. the “status: **busy**” will turn to “status: **online**”. After this you are **configuring** successful.



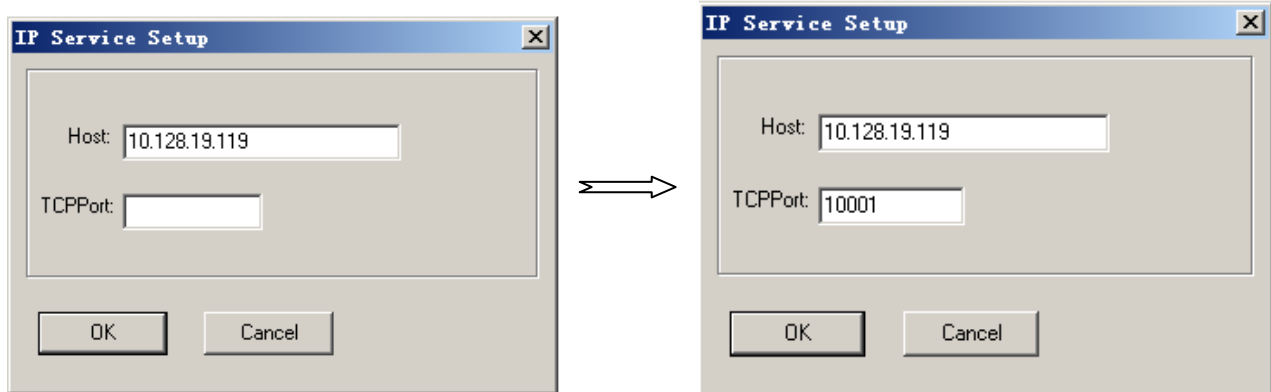
Click Ports



7. Click **Start** in the Windows Taskbar, → **Programs** → **Lantronix** → **Redirector** → **Configuration**. Click **Com Setup** button, A Port Setup dialog box displays; Click all the logical ports to which the PC will be redirected.



8. Click **Add IP** button



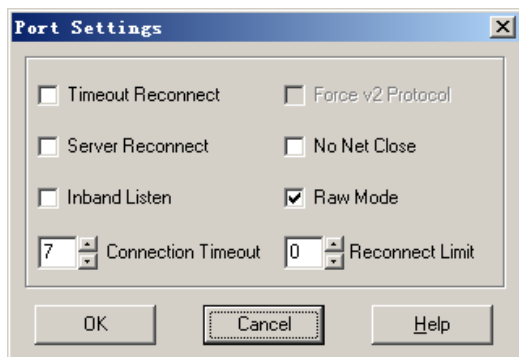
Enter the **hardware address**

Enter the **Local Port member** and click **OK**

Note: The Host member is the Automation obtain IP to your unit (e.g. 10.128.19.119);

The TCP Port member is the **Local Port member: 10001**.

9. Click **Port Setting** button; Choose the **Raw Mode** option and click **OK**



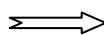
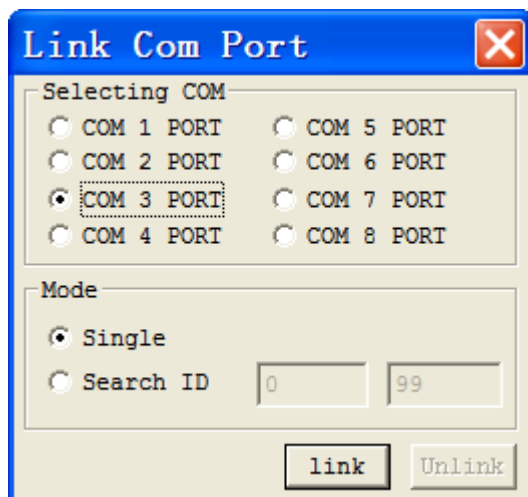
10. To hide the pop-up window, check **Silent Mode** on the Com Port Redirector Configuration window.



11. Click **Save** button and **Close** button.

Note: After completing this **Configure**, you can Link and control your product.

Choose the **Com** port and click **Link** button.

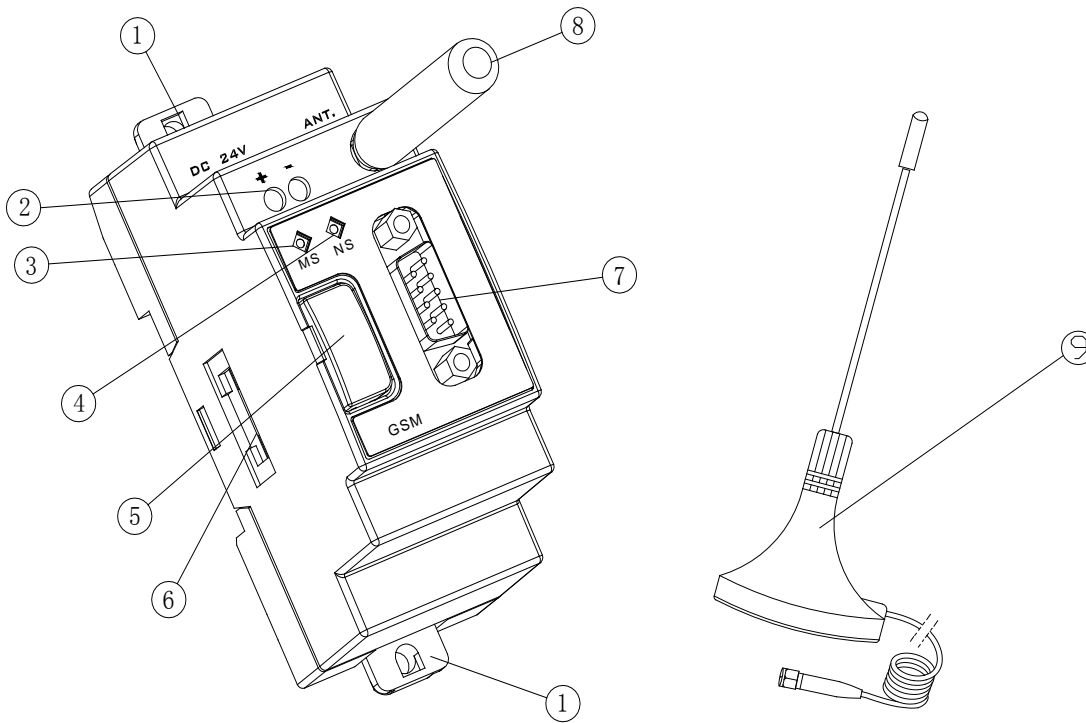


GSM Module

Summarize

With a GSM module, SG2(V3.2 and above version)/TP03 can be monitored and controlled by sending and receiving short message. Module support dual band EGSM900MHz/DCS1800MHz, those frequency channel support all the world except North America.

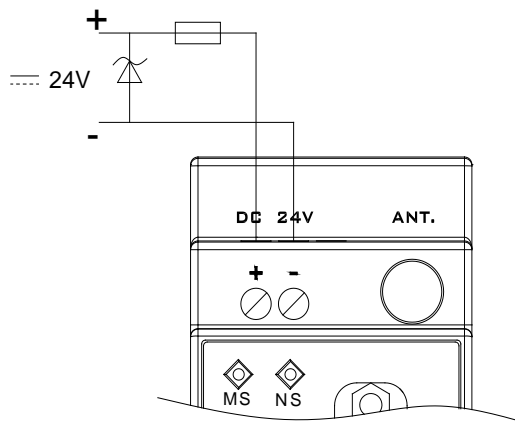
GSM Cell Configuration



- ①: Flexed installation feet
- ②: 24V DC power supply port
- ③: Mode state LED light MS
- ④: Network state LED light NS
- ⑤: Button
- ⑥: SIM card port
- ⑦: 9-hole socket (PL01 connect with SG2)
- ⑧: Antenna (SMA port)
- ⑨: Sucked type antenna (SMA port)

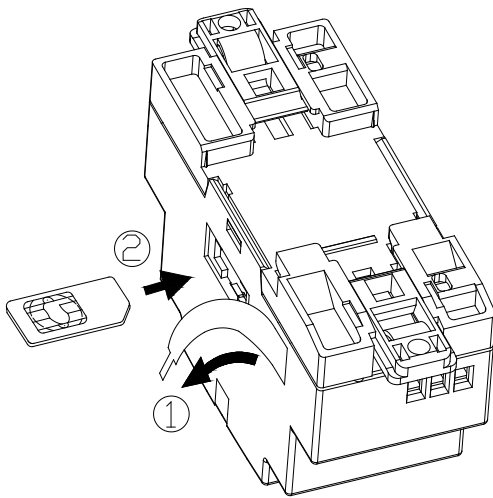
Connect with electrical source

Input 24VDC



- ①-1A quick-blowing fuse, circuit-breaker or circuit protector.
- ②-Surge absorber.

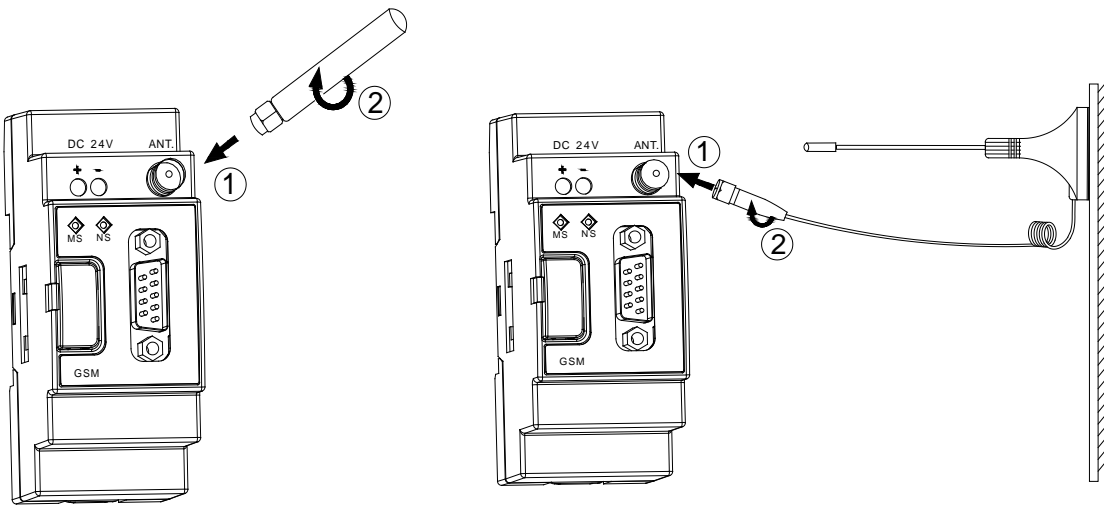
Insert SIM card



- Step 1: uncover the tag paper;
- Step 2: insert SIM card, as the picture above show;
- Step 3: recover the tag paper;

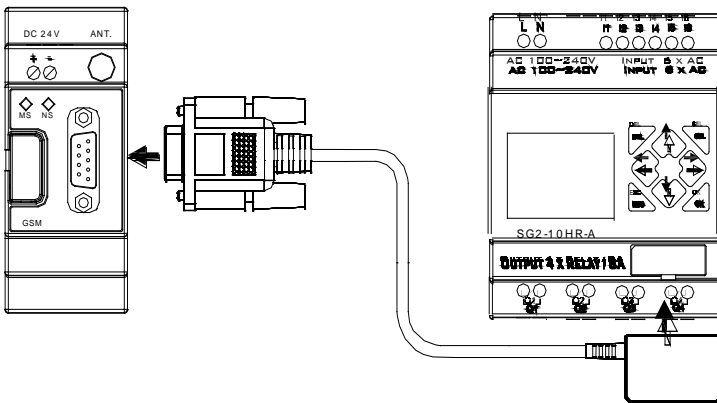
Warning :Before inserting and removing SIM card, must cut off the power of GSM module.

Installation of antenna

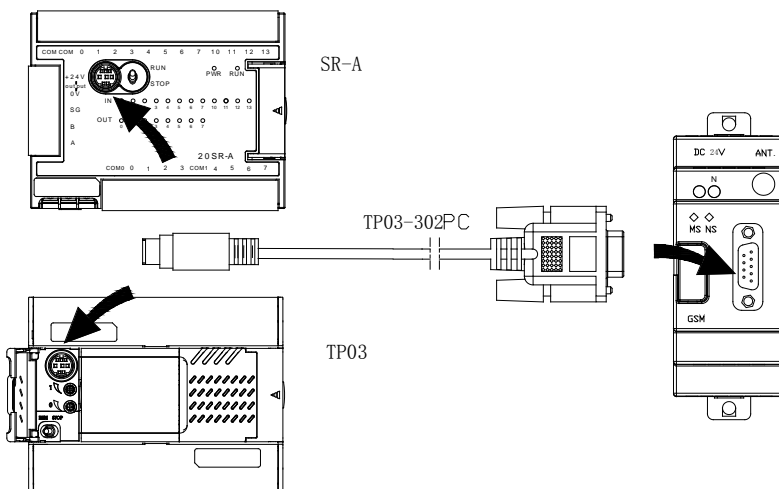


* Sucked type antenna can attracts to any metal form.

Connect to SG2 with the PL01 cable



Connect to TP03 with the TP03-302PC cable



LED state display

GSM module has two number of double color LED used for fast diagnostics, to indicate the state.

MS: Module State LED

State of LED	Description
ON when the moment power on, then OFF	Power on program initialization
ON	Link to PLC normally
Flash (2Hz)	Fail to link to PLC
Flash (1Hz)	System configuration mode
Flash (5Hz)	Hardware error
OFF	No power

NS: Net State LED

State of LED	Description
Flash (5Hz)	Search net signal (about 20s)
Flash (0.5Hz)	GSM net ready, signal weak
Flash (1Hz)	GSM net ready, signal strength
ON	Network error
OFF	No power or module error

※ More information to see “[SG2-GSM Module User Manual](#)”.

Appendix: Keypad Programming

Appendix A: Keypad programming in Ladder mode	247
Appendix B: Keypad programming in Ladder FUNCTION BLOCK.....	251

Appendix A: Keypad programming in Ladder mode

Operation Sample:

	1	2	3	4	5	6	7	8	Column
Line 1	>	L	A	D	D	E	R		
2		F	U	N	.	B	L	O	C
3		P	A	R	A	M	E	T	E
4		R	U	N					

	1	2	3	4	5	6	7	8	Column
Line 1									
2									
3									
4									

Procedure 1 :
Press 'OK'

Enter LADDER Edition

	1	2	3	4	5	6	7	8	Column
Line 1	I	0	1						
2									
3									
4									

Procedure 2 :
Press 'SEL'

(When cursor located at character or digital, press the button to show I01)

	1	2	3	4	5	6	7	8	Column
Line 1	Q	0	1						
2									
3									
4									

Procedure 3 :
Press '↑' 3 times

(Press '↑ ↓', and the digital cursor located will change from I to G).

	1	2	3	4	5	6	7	8	Column
Line 1	q	0	1						
2									
3									
4									

Procedure 4 :
Press 'SEL'

(start /end modifying parameter)

	1	2	3	4	5	6	7	8	Column
Line 1	q	0	1						
2									
3									
4									

Procedure 5 :
Press '→' 2 times

(Press '← →', the cursor located in digital)

	1	2	3	4	5	6	7	8	Column
Line 1	q	0	4						
2									
3									
4									

Procedure 6 :
Press '↑' for 3 times

(Press '↑ ↓', the digital the cursor located will change from 1 to 4)

	1	2	3	4	5	6	7	8	Column
Line 1	q	0	4						

Procedure 7 :
Press '←' 2 times

(Press 'SEL' + '← →' to move the cursor to the position Required revision.	2 3 4
--	-------------

OR

Procedure 7 : Press 'OK' (Move the cursor to character in column 3)	Automatically Link
	1 2-3 4-5 6-7-8 Column
	Line 1 q 0 4 — █
	2
	3 4

OR

Procedure 7 : Press '→' (move the cursor to the link location in column 2)	Automatically Link
	1 2-3 4-5 6-7-8 Column
	Line 1 q 0 4 █
	2
	3 4

Repeat the step1~7, and input M01, I03 Instruction to column 3, 5.

Procedure 8 : Press 'OK' in Column 5 (move the cursor to the character in column 8)	1 2-3 4-5 6-7-8 Column
	Line 1 q 0 4 — M 0 1 — I 0 3 — █
	2
	3
	4

Procedure 9 : Press 'SEL' (when the cursor located at character and digital, press 'SEL' to show '(Q01'	1 2-3 4-5 6-7-8 Column
	Line 1 q 0 4 — M 0 1 — I 0 3 — (Q 0 1
	2
	3
	4

Auto Add "("

Procedure 10 : Press 'OK' Save the input program data, the position of the cursor will not move.	1 2-3 4-5 6-7-8 Column
	Line 1 q 0 4 — M 0 1 — I 0 3 — (Q 0 1
	2
	3
	4

Procedure 11 : Press '→' 3 times (Move the cursor to column 1 and Line 2.)	1 2-3 4-5 6-7-8 Column
	Line 1 q 0 4 — M 0 1 — I 0 3 — (Q 0 1
	2 █
	3
	4

Procedure 12 : Press '→' 3 times	1 2-3 4-5 6-7-8 Column
	Line 1 q 0 4 — M 0 1 — I 0 3 — (Q 0 1
	2 █

(move the cursor to column 2)	3	
Note: never press 'SEL' before hand	4	

Change Wire '-' to 'I'

Procedure 13 : Press 'SEL' (A vertical line emerges)	<table border="1"> <tr> <td></td> <td>1</td> <td>2-3</td> <td>4-5</td> <td>6-7-8</td> <td>Column</td> </tr> <tr> <td>Line 1</td> <td>q</td> <td>0 4</td> <td>T M 0 1</td> <td>- I 0 3</td> <td>(Q 0 1</td> </tr> <tr> <td>2</td> <td></td> <td></td> <td></td> <td></td> <td></td> </tr> <tr> <td>3</td> <td></td> <td></td> <td></td> <td></td> <td></td> </tr> <tr> <td>4</td> <td></td> <td></td> <td></td> <td></td> <td></td> </tr> </table>		1	2-3	4-5	6-7-8	Column	Line 1	q	0 4	T M 0 1	- I 0 3	(Q 0 1	2						3						4					
	1	2-3	4-5	6-7-8	Column																										
Line 1	q	0 4	T M 0 1	- I 0 3	(Q 0 1																										
2																															
3																															
4																															

Procedure 14 : Press 'OK' (Move the cursor to character in column 3.)	<table border="1"> <tr> <td></td> <td>1</td> <td>2-3</td> <td>4-5</td> <td>6-7-8</td> <td>Column</td> </tr> <tr> <td>Line 1</td> <td>q</td> <td>0 4</td> <td>T M 0 1</td> <td>- I 0 3</td> <td>(Q 0 1</td> </tr> <tr> <td>2</td> <td></td> <td></td> <td></td> <td></td> <td></td> </tr> <tr> <td>3</td> <td></td> <td></td> <td></td> <td></td> <td></td> </tr> <tr> <td>4</td> <td></td> <td></td> <td></td> <td></td> <td></td> </tr> </table>		1	2-3	4-5	6-7-8	Column	Line 1	q	0 4	T M 0 1	- I 0 3	(Q 0 1	2						3						4					
	1	2-3	4-5	6-7-8	Column																										
Line 1	q	0 4	T M 0 1	- I 0 3	(Q 0 1																										
2																															
3																															
4																															

Repeat the step 1~7 and key in 'r0 3', '-' at Line 2 and column 3~6.

Procedure 15 : Press 'OK' in column 5 (move the cursor to the character in Column 8)	<table border="1"> <tr> <td></td> <td>1</td> <td>2-3</td> <td>4-5</td> <td>6-7-8</td> <td>Column</td> </tr> <tr> <td>Line 1</td> <td>q</td> <td>0 4</td> <td>T M 0 1</td> <td>- I 0 3</td> <td>(Q 0 1</td> </tr> <tr> <td>2</td> <td></td> <td></td> <td></td> <td></td> <td></td> </tr> <tr> <td>3</td> <td></td> <td></td> <td></td> <td></td> <td></td> </tr> <tr> <td>4</td> <td></td> <td></td> <td></td> <td></td> <td></td> </tr> </table>		1	2-3	4-5	6-7-8	Column	Line 1	q	0 4	T M 0 1	- I 0 3	(Q 0 1	2						3						4					
	1	2-3	4-5	6-7-8	Column																										
Line 1	q	0 4	T M 0 1	- I 0 3	(Q 0 1																										
2																															
3																															
4																															

Procedure 16 : Press 'SEL' (When the cursor located in digital or character, press 'SEL', 'Q01' will emerges)	<table border="1"> <tr> <td></td> <td>1</td> <td>2-3</td> <td>4-5</td> <td>6-7-8</td> <td>Column</td> </tr> <tr> <td>Line 1</td> <td>q</td> <td>0 4</td> <td>T M 0 1</td> <td>- I 0 3</td> <td>(Q 0 1</td> </tr> <tr> <td>2</td> <td></td> <td></td> <td></td> <td></td> <td></td> </tr> <tr> <td>3</td> <td></td> <td></td> <td></td> <td></td> <td></td> </tr> <tr> <td>4</td> <td></td> <td></td> <td></td> <td></td> <td></td> </tr> </table>		1	2-3	4-5	6-7-8	Column	Line 1	q	0 4	T M 0 1	- I 0 3	(Q 0 1	2						3						4					
	1	2-3	4-5	6-7-8	Column																										
Line 1	q	0 4	T M 0 1	- I 0 3	(Q 0 1																										
2																															
3																															
4																															

Auto Add "("

Procedure 17 : Press '↑' for 5 times (Press 'SEL' + '↑↓' (The character Q the cursor locating will change to C.)	<table border="1"> <tr> <td></td> <td>1</td> <td>2-3</td> <td>4-5</td> <td>6-7-8</td> <td>Column</td> </tr> <tr> <td>Line 1</td> <td>q</td> <td>0 4</td> <td>T M 0 1</td> <td>- I 0 3</td> <td>(Q 0 1</td> </tr> <tr> <td>2</td> <td></td> <td></td> <td></td> <td></td> <td></td> </tr> <tr> <td>3</td> <td></td> <td></td> <td></td> <td></td> <td></td> </tr> <tr> <td>4</td> <td></td> <td></td> <td></td> <td></td> <td></td> </tr> </table>		1	2-3	4-5	6-7-8	Column	Line 1	q	0 4	T M 0 1	- I 0 3	(Q 0 1	2						3						4					
	1	2-3	4-5	6-7-8	Column																										
Line 1	q	0 4	T M 0 1	- I 0 3	(Q 0 1																										
2																															
3																															
4																															

Procedure 18 : Press '→' 2 times	<table border="1"> <tr> <td></td> <td>1</td> <td>2-3</td> <td>4-5</td> <td>6-7-8</td> <td>Column</td> </tr> <tr> <td>Line 1</td> <td>q</td> <td>0 4</td> <td>T M 0 1</td> <td>- I 0 3</td> <td>(Q 0 1</td> </tr> <tr> <td>2</td> <td></td> <td></td> <td></td> <td></td> <td></td> </tr> <tr> <td>3</td> <td></td> <td></td> <td></td> <td></td> <td></td> </tr> <tr> <td>4</td> <td></td> <td></td> <td></td> <td></td> <td></td> </tr> </table>		1	2-3	4-5	6-7-8	Column	Line 1	q	0 4	T M 0 1	- I 0 3	(Q 0 1	2						3						4					
	1	2-3	4-5	6-7-8	Column																										
Line 1	q	0 4	T M 0 1	- I 0 3	(Q 0 1																										
2																															
3																															
4																															

Procedure 19 : Press '↑' for 6 times	<table border="1"> <tr> <td></td> <td>1</td> <td>2-3</td> <td>4-5</td> <td>6-7-8</td> <td>Column</td> </tr> <tr> <td>Line 1</td> <td>q</td> <td>0 4</td> <td>T M 0 1</td> <td>- I 0 3</td> <td>(Q 0 1</td> </tr> <tr> <td>2</td> <td></td> <td></td> <td></td> <td></td> <td></td> </tr> <tr> <td>3</td> <td></td> <td></td> <td></td> <td></td> <td></td> </tr> <tr> <td>4</td> <td></td> <td></td> <td></td> <td></td> <td></td> </tr> </table>		1	2-3	4-5	6-7-8	Column	Line 1	q	0 4	T M 0 1	- I 0 3	(Q 0 1	2						3						4					
	1	2-3	4-5	6-7-8	Column																										
Line 1	q	0 4	T M 0 1	- I 0 3	(Q 0 1																										
2																															
3																															
4																															

(The digital 1 the cursor locating will change to 7)	<pre> 3 4 </pre>
--	----------------------------------

<p>Procedure 20 :</p> <p>Press 'OK'</p> <p>(Auto shift to FUNCTION BLOCK and the counter input parameter)</p>	<pre> 1 2-3 4-5 6-7-8 Column Line 1 L o w [1 2 0 0 0 0 0 0] C 0 7 3 4 </pre>	<p>Column Auto Enter Function Block Edition</p>
---	---	---

<p>Procedure 21 :</p> <p>Press 'ESC' back to LADDER edition screen</p>	<pre> 1 2-3 4-5 6-7-8 Column Line 1 q 0 4 T M 0 1 — I 0 3 — (Q 0 1 2 r 0 3 ————— (C 0 7 3 4 </pre>
--	---

Delete the Program Element

	<pre> 1 2-3 4-5 6-7-8 Column Line 1 q 0 4 T M 0 1 — I 0 3 — (Q 0 1 2 r 0 3 ————— (C 0 7 3 4 </pre>
--	---

<p>Procedure :</p> <p>Press 'DEL'</p> <p>(to delete the element C07 the cursor locating)</p>	<pre> 1 2-3 4-5 6-7-8 Column Line 1 q 0 4 T M 0 1 — I 0 3 — (Q 0 1 2 r 0 3 ————— 3 4 </pre>
--	---

Display the present Line the cursor locating and operation state of SG2.

<p>Procedure :</p> <p>Press 'SEL+ESC' (simultaneously)</p> <p>(The Line 4 displays where the cursor locating and operation state of SG2)</p>	<pre> 1 2-3 4-5 6-7-8 Column Line 1 q 0 4 T M 0 1 — I 0 3 — (Q 0 1 2 r 0 3 ————— (C 0 7 3 4 S T O P L I N E 0 0 2 </pre>
--	--

Delete the whole Line

	<pre> 1 2-3 4-5 6-7-8 Column Line 1 q 0 4 T M 0 1 — I 0 3 — (Q 0 1 2 r 0 3 ————— (C 0 7 3 4 </pre>
--	---

<p>Procedure :</p> <p>Press 'SEL+DEL' (Simultaneously)</p>	<pre> 1 2-3 4-5 6-7-8 Column Line 1 q 0 4 T M 0 1 — I 0 3 — (Q 0 1 2 r 0 3 ————— (C 0 7 3 C L E A R L n 0 0 2 </pre>
--	--

('ESC' Cancel , 'OK' Execute)	4 E S C ? O K ?
-------------------------------	-----------------

Insert a whole line.

	<table border="1"> <tr> <td></td> <td>1</td> <td>2-3</td> <td>4-5</td> <td>6-7-8</td> <td>column</td> </tr> <tr> <td>line 1</td> <td>q</td> <td>0 4</td> <td>T M 0 1</td> <td>— I 0 3 —</td> <td>(Q 0 1</td> </tr> <tr> <td>2</td> <td></td> <td></td> <td>⊥ r 0 3</td> <td>—————</td> <td>(C 0 7</td> </tr> <tr> <td>3</td> <td></td> <td></td> <td></td> <td></td> <td></td> </tr> <tr> <td>4</td> <td></td> <td></td> <td></td> <td></td> <td></td> </tr> </table>		1	2-3	4-5	6-7-8	column	line 1	q	0 4	T M 0 1	— I 0 3 —	(Q 0 1	2			⊥ r 0 3	—————	(C 0 7	3						4					
	1	2-3	4-5	6-7-8	column																										
line 1	q	0 4	T M 0 1	— I 0 3 —	(Q 0 1																										
2			⊥ r 0 3	—————	(C 0 7																										
3																															
4																															

Step: Press "SEL+OK" (at the same time)	<table border="1"> <tr> <td></td> <td>1</td> <td>2-3</td> <td>4-5</td> <td>6-7-8</td> <td>column</td> </tr> <tr> <td>Line 1</td> <td>q</td> <td>0 4</td> <td>— M 0 1</td> <td>— I 0 3 —</td> <td>(Q 0 1</td> </tr> <tr> <td>2</td> <td></td> <td></td> <td>⊥ r 0 3</td> <td>—————</td> <td>(C 0 7</td> </tr> <tr> <td>3</td> <td></td> <td></td> <td></td> <td></td> <td></td> </tr> <tr> <td>4</td> <td></td> <td></td> <td></td> <td></td> <td></td> </tr> </table>		1	2-3	4-5	6-7-8	column	Line 1	q	0 4	— M 0 1	— I 0 3 —	(Q 0 1	2			⊥ r 0 3	—————	(C 0 7	3						4					
	1	2-3	4-5	6-7-8	column																										
Line 1	q	0 4	— M 0 1	— I 0 3 —	(Q 0 1																										
2			⊥ r 0 3	—————	(C 0 7																										
3																															
4																															

Turn page (move upward/ downward 4 lines program):

	<table border="1"> <tr> <td></td> <td>1</td> <td>2-3</td> <td>4-5</td> <td>6-7-8</td> <td>column</td> </tr> <tr> <td>line 1</td> <td>q</td> <td>0 4</td> <td>T M 0 1</td> <td>— I 0 3 —</td> <td>(Q 0 1</td> </tr> <tr> <td>2</td> <td></td> <td></td> <td>⊥ r 0 3</td> <td>—————</td> <td>(C 0 7</td> </tr> <tr> <td>3</td> <td></td> <td></td> <td></td> <td></td> <td></td> </tr> <tr> <td>4</td> <td></td> <td></td> <td></td> <td></td> <td></td> </tr> <tr> <td>5</td> <td></td> <td></td> <td></td> <td></td> <td></td> </tr> </table>		1	2-3	4-5	6-7-8	column	line 1	q	0 4	T M 0 1	— I 0 3 —	(Q 0 1	2			⊥ r 0 3	—————	(C 0 7	3						4						5					
	1	2-3	4-5	6-7-8	column																																
line 1	q	0 4	T M 0 1	— I 0 3 —	(Q 0 1																																
2			⊥ r 0 3	—————	(C 0 7																																
3																																					
4																																					
5																																					

Step: Press 'SEL+↑/↓' (at the same time)	<table border="1"> <tr> <td></td> <td>1</td> <td>2-3</td> <td>4-5</td> <td>6-7-8</td> <td>column</td> </tr> <tr> <td>line 1</td> <td>q</td> <td>0 4</td> <td>T M 0 1</td> <td>— I 0 3 —</td> <td>(Q 0 1</td> </tr> <tr> <td>2</td> <td></td> <td></td> <td>⊥ r 0 3</td> <td>—————</td> <td>(C 0 7</td> </tr> <tr> <td>3</td> <td></td> <td></td> <td></td> <td></td> <td></td> </tr> <tr> <td>4</td> <td></td> <td></td> <td></td> <td></td> <td></td> </tr> <tr> <td>5</td> <td></td> <td></td> <td></td> <td></td> <td></td> </tr> </table>		1	2-3	4-5	6-7-8	column	line 1	q	0 4	T M 0 1	— I 0 3 —	(Q 0 1	2			⊥ r 0 3	—————	(C 0 7	3						4						5					
	1	2-3	4-5	6-7-8	column																																
line 1	q	0 4	T M 0 1	— I 0 3 —	(Q 0 1																																
2			⊥ r 0 3	—————	(C 0 7																																
3																																					
4																																					
5																																					

Appendix B: Keypad programming in Ladder FUNCTION BLOCK

	<table border="1"> <tr> <td></td> <td>1</td> <td>2-3</td> <td>4-5</td> <td>6-7-8</td> <td>Column</td> </tr> <tr> <td>Line 1</td> <td>L</td> <td>A D D E R</td> <td></td> <td></td> <td></td> </tr> <tr> <td>2</td> <td>></td> <td>F U N . B L O C K</td> <td></td> <td></td> <td></td> </tr> <tr> <td>3</td> <td></td> <td>P A R A M E T E R</td> <td></td> <td></td> <td></td> </tr> <tr> <td>4</td> <td></td> <td>R U N</td> <td></td> <td></td> <td></td> </tr> </table>		1	2-3	4-5	6-7-8	Column	Line 1	L	A D D E R				2	>	F U N . B L O C K				3		P A R A M E T E R				4		R U N			
	1	2-3	4-5	6-7-8	Column																										
Line 1	L	A D D E R																													
2	>	F U N . B L O C K																													
3		P A R A M E T E R																													
4		R U N																													

Present action area
The present value will appear when SG2 is under 'RUN' mode.

Procedure 1: Press 'OK' (Enter FUNCTION BLOCK edition)	<table border="1"> <tr> <td></td> <td>1</td> <td>2-3</td> <td>4-5</td> <td>6-7-8</td> <td>Column</td> </tr> <tr> <td>Line 1</td> <td></td> <td></td> <td>1</td> <td></td> <td></td> </tr> <tr> <td>2</td> <td></td> <td></td> <td>⌈</td> <td></td> <td></td> </tr> <tr> <td>3</td> <td></td> <td></td> <td>0 0 0 0 S e c</td> <td></td> <td>⌋ T 0 1</td> </tr> <tr> <td>4</td> <td></td> <td></td> <td>⌋</td> <td></td> <td></td> </tr> </table>		1	2-3	4-5	6-7-8	Column	Line 1			1			2			⌈			3			0 0 0 0 S e c		⌋ T 0 1	4			⌋		
	1	2-3	4-5	6-7-8	Column																										
Line 1			1																												
2			⌈																												
3			0 0 0 0 S e c		⌋ T 0 1																										
4			⌋																												

Preset action value area

If you want to edit T02 Press 'SEL+↑'(simultaneously)	<table border="1"> <tr> <td></td> <td>1</td> <td>2-3</td> <td>4-5</td> <td>6-7-8</td> <td>Column</td> </tr> <tr> <td>Line 1</td> <td></td> <td></td> <td>4</td> <td></td> <td></td> </tr> <tr> <td>2</td> <td></td> <td>1</td> <td>⌈</td> <td></td> <td></td> </tr> <tr> <td>3</td> <td></td> <td></td> <td>2 2 . 2 2 S e c</td> <td></td> <td>⌋ T 0 2</td> </tr> </table>		1	2-3	4-5	6-7-8	Column	Line 1			4			2		1	⌈			3			2 2 . 2 2 S e c		⌋ T 0 2
	1	2-3	4-5	6-7-8	Column																				
Line 1			4																						
2		1	⌈																						
3			2 2 . 2 2 S e c		⌋ T 0 2																				

	4 N 0 1 ↓
--	---------------

Step 2: modify ①present target value ②preset the action relay

Preset the target value

<p>Procedure 2-1: Press '←' (move the cursor to the preset action area)</p>	<table border="1"> <tr> <td style="width: 10%;"></td> <td style="width: 15%;">1</td> <td style="width: 15%;">2-3</td> <td style="width: 15%;">4-5</td> <td style="width: 15%;">6-7-8</td> <td style="width: 10%;">Column</td> </tr> <tr> <td>Line 1</td> <td></td> <td style="text-align: center;">1</td> <td></td> <td></td> <td></td> </tr> <tr> <td>2</td> <td style="text-align: center;">1</td> <td style="text-align: center;"> </td> <td></td> <td></td> <td></td> </tr> <tr> <td>3</td> <td></td> <td style="text-align: center;">0 0 . 0</td> <td style="text-align: center;">0</td> <td style="text-align: center;">S e c</td> <td style="text-align: center;">} T 0 1</td> </tr> <tr> <td>4</td> <td></td> <td style="text-align: center;"> </td> <td></td> <td></td> <td></td> </tr> </table>		1	2-3	4-5	6-7-8	Column	Line 1		1				2	1					3		0 0 . 0	0	S e c	} T 0 1	4					
	1	2-3	4-5	6-7-8	Column																										
Line 1		1																													
2	1																														
3		0 0 . 0	0	S e c	} T 0 1																										
4																															

<p>Procedure 2-2: Press 'SEL' (begin input the target value)</p>	<table border="1"> <tr> <td style="width: 10%;"></td> <td style="width: 15%;">1</td> <td style="width: 15%;">2-3</td> <td style="width: 15%;">4-5</td> <td style="width: 15%;">6-7-8</td> <td style="width: 10%;">Column</td> </tr> <tr> <td>Line 1</td> <td></td> <td style="text-align: center;">1</td> <td></td> <td></td> <td></td> </tr> <tr> <td>2</td> <td style="text-align: center;">1</td> <td style="text-align: center;"> </td> <td></td> <td></td> <td></td> </tr> <tr> <td>3</td> <td></td> <td style="text-align: center;">0 0 . 0</td> <td style="text-align: center;"><u>0</u></td> <td style="text-align: center;">S e c</td> <td style="text-align: center;">} T 0 1</td> </tr> <tr> <td>4</td> <td></td> <td style="text-align: center;"> </td> <td></td> <td></td> <td></td> </tr> </table>		1	2-3	4-5	6-7-8	Column	Line 1		1				2	1					3		0 0 . 0	<u>0</u>	S e c	} T 0 1	4					
	1	2-3	4-5	6-7-8	Column																										
Line 1		1																													
2	1																														
3		0 0 . 0	<u>0</u>	S e c	} T 0 1																										
4																															

<p>Procedure 2-3: Press '↑' for 3 times (Press 'SEL' and followed by '↑,↓' The digital '0' is changed to '3')</p>	<table border="1"> <tr> <td style="width: 10%;"></td> <td style="width: 15%;">1</td> <td style="width: 15%;">2-3</td> <td style="width: 15%;">4-5</td> <td style="width: 15%;">6-7-8</td> <td style="width: 10%;">Column</td> </tr> <tr> <td>Line 1</td> <td></td> <td style="text-align: center;">1</td> <td></td> <td></td> <td></td> </tr> <tr> <td>2</td> <td style="text-align: center;">1</td> <td style="text-align: center;"> </td> <td></td> <td></td> <td></td> </tr> <tr> <td>3</td> <td></td> <td style="text-align: center;">0 0 . 0</td> <td style="text-align: center;"><u>3</u></td> <td style="text-align: center;">S e c</td> <td style="text-align: center;">} T 0 1</td> </tr> <tr> <td>4</td> <td></td> <td style="text-align: center;"> </td> <td></td> <td></td> <td></td> </tr> </table>		1	2-3	4-5	6-7-8	Column	Line 1		1				2	1					3		0 0 . 0	<u>3</u>	S e c	} T 0 1	4					
	1	2-3	4-5	6-7-8	Column																										
Line 1		1																													
2	1																														
3		0 0 . 0	<u>3</u>	S e c	} T 0 1																										
4																															

<p>Procedure 2-4: Press 'OK' (Save the input data)</p>	<table border="1"> <tr> <td style="width: 10%;"></td> <td style="width: 15%;">1</td> <td style="width: 15%;">2-3</td> <td style="width: 15%;">4-5</td> <td style="width: 15%;">6-7-8</td> <td style="width: 10%;">Column</td> </tr> <tr> <td>Line 1</td> <td></td> <td style="text-align: center;">1</td> <td></td> <td></td> <td></td> </tr> <tr> <td>2</td> <td style="text-align: center;">1</td> <td style="text-align: center;"> </td> <td></td> <td></td> <td></td> </tr> <tr> <td>3</td> <td></td> <td style="text-align: center;">0 0 . 0</td> <td style="text-align: center;">3</td> <td style="text-align: center;">S e c</td> <td style="text-align: center;">} T 0 1</td> </tr> <tr> <td>4</td> <td></td> <td style="text-align: center;"> </td> <td></td> <td></td> <td></td> </tr> </table>		1	2-3	4-5	6-7-8	Column	Line 1		1				2	1					3		0 0 . 0	3	S e c	} T 0 1	4					
	1	2-3	4-5	6-7-8	Column																										
Line 1		1																													
2	1																														
3		0 0 . 0	3	S e c	} T 0 1																										
4																															

<p>Procedure 2-5: Press '←'</p>	<table border="1"> <tr> <td style="width: 10%;"></td> <td style="width: 15%;">1</td> <td style="width: 15%;">2-3</td> <td style="width: 15%;">4-5</td> <td style="width: 15%;">6-7-8</td> <td style="width: 10%;">Column</td> </tr> <tr> <td>Line 1</td> <td></td> <td style="text-align: center;">1</td> <td></td> <td></td> <td></td> </tr> <tr> <td>2</td> <td style="text-align: center;">1</td> <td style="text-align: center;"> </td> <td></td> <td></td> <td></td> </tr> <tr> <td>3</td> <td></td> <td style="text-align: center;">0 0 .</td> <td style="text-align: center;">0</td> <td style="text-align: center;">3 S e c</td> <td style="text-align: center;">} T 0 1</td> </tr> <tr> <td>4</td> <td></td> <td style="text-align: center;"> </td> <td></td> <td></td> <td></td> </tr> </table>		1	2-3	4-5	6-7-8	Column	Line 1		1				2	1					3		0 0 .	0	3 S e c	} T 0 1	4					
	1	2-3	4-5	6-7-8	Column																										
Line 1		1																													
2	1																														
3		0 0 .	0	3 S e c	} T 0 1																										
4																															

Repeat Step 2-2 ~ step 2-4 for 3 times, to enter the following screen:

<p>Procedure 2-6:</p>	<table border="1"> <tr> <td style="width: 10%;"></td> <td style="width: 15%;">1</td> <td style="width: 15%;">2-3</td> <td style="width: 15%;">4-5</td> <td style="width: 15%;">6-7-8</td> <td style="width: 10%;">Column</td> </tr> <tr> <td>Line 1</td> <td></td> <td style="text-align: center;">1</td> <td></td> <td></td> <td></td> </tr> <tr> <td>2</td> <td style="text-align: center;">1</td> <td style="text-align: center;"> </td> <td></td> <td></td> <td></td> </tr> <tr> <td>3</td> <td></td> <td style="text-align: center;">3</td> <td style="text-align: center;">3 . 3 3</td> <td style="text-align: center;">S e c</td> <td style="text-align: center;">} T 0 1</td> </tr> <tr> <td>4</td> <td></td> <td style="text-align: center;"> </td> <td></td> <td></td> <td></td> </tr> </table>		1	2-3	4-5	6-7-8	Column	Line 1		1				2	1					3		3	3 . 3 3	S e c	} T 0 1	4					
	1	2-3	4-5	6-7-8	Column																										
Line 1		1																													
2	1																														
3		3	3 . 3 3	S e c	} T 0 1																										
4																															

As the present value of the timer, counter, analog input (A01-A08) and analog gain value (V01-V08) is set as the preset value of them. Next to the step 2-2, to execute the following operation:

<p>Step2-3A: Press 'SEL'</p>	<table border="1"> <tr> <td style="width: 10%;"></td> <td style="width: 15%;">1</td> <td style="width: 15%;">2-3</td> <td style="width: 15%;">4-5</td> <td style="width: 15%;">6-7-8</td> <td style="width: 10%;">column</td> </tr> <tr> <td>line 1</td> <td></td> <td style="text-align: center;">1</td> <td></td> <td></td> <td></td> </tr> <tr> <td>2</td> <td style="text-align: center;">1</td> <td style="text-align: center;"> </td> <td></td> <td></td> <td></td> </tr> </table>		1	2-3	4-5	6-7-8	column	line 1		1				2	1				
	1	2-3	4-5	6-7-8	column														
line 1		1																	
2	1																		

	3		V <u>0</u> 1	S e c		T 0 1	
	4		└			└	

Repeat the step 2-3A, following screen will be shown in turn:

Step2-3B: Press 'SEL'	line	1	2	3	4	1	2	3	4	5	6	7	8	column
		1		1										
		1		A <u>0</u> 1	S e c		T 0 1							
		1		└			└							

Step 2-3C: press 'SEL'	line	1	2	3	4	1	2	3	4	5	6	7	8	column
		1		1										
		1		T <u>0</u> 1	S e c		T 0 1							
		1		└			└							

Step 2-3D: Press 'SEL'	line	1	2	3	4	1	2	3	4	5	6	7	8	column
		1		1										
		1		C <u>0</u> 1	S e c		T 0 1							
		1		└			└							

Step 2-3E: Press 'SEL'	line	1	2	3	4	1	2	3	4	5	6	7	8	column
		1		1										
		1		A T <u>0</u> 1	S e c		T 0 1							
		1		└			└							

Step 2-3F: Press 'SEL'	line	1	2	3	4	1	2	3	4	5	6	7	8	column
		1		1										
		1		A Q <u>0</u> 1	S e c		T 0 1							
		1		└			└							

Step 2-3G: Press 'SEL'	line	1	2	3	4	1	2	3	4	5	6	7	8	column
		1		1										
		1		D R <u>0</u> 1	S e c		T 0 1							
		1		└			└							

Step 2-3H: Press 'SEL'	line	1	2	3	4	1	2	3	4	5	6	7	8	column
		1		1										
		1		A S <u>0</u> 1	S e c		T 0 1							
		1		└			└							

Step 2-3I: Press 'SEL'	line	1	2	3	4	1	2	3	4	5	6	7	8	column
		1		1										
		1		M D <u>0</u> 1	S e c		T 0 1							
		1		└			└							

	4	┌	└
--	---	---	---

Step 2-3J: Press 'SEL'		- 1	- 2 - 3	- 4 - 5	- 6 - 7 - 8	- column	
	line 1		┌	1	└		
	2	1	┌				
	3		┌	P I <u>0</u> 1	S e c	└	T 0 1
	4		└				

Step 2-3K: Press 'SEL'		- 1	- 2 - 3	- 4 - 5	- 6 - 7 - 8	- column	
	line 1		┌	1	└		
	2	1	┌				
	3		┌	M X <u>0</u> 1	S e c	└	T 0 1
	4		└				

Step 2-3L: Press 'SEL'		- 1	- 2 - 3	- 4 - 5	- 6 - 7 - 8	- column	
	line 1		┌	1	└		
	2	1	┌				
	3		┌	A R <u>0</u> 1	S e c	└	T 0 1
	4		└				

Next to step 2-3B, the following screen will be shown.

step 2-4B: Press '→', press '↑'		- 1	- 2 - 3	- 4 - 5	- 6 - 7 - 8	- column	
	line 1		┌	1	└		
	2	1	┌				
	3		┌	A 0 <u>2</u>	S e c	└	T 0 1
	4		└				

Repeat step 2-4B (press '↓' is also available), the preset value of A01-A08 will be periodically changed. And so on. 'Analog*gain + offset' value (V01-V08) and the other function blocks (time, counter...) present value is set as preset value, to repeat the step to select T01-T1F, C01-C1F, V01-V08.

step 2-5B: press 'OK' Save the present data.		- 1	- 2 - 3	- 4 - 5	- 6 - 7 - 8	- column	
	line 1		┌	1	└		
	2	1	┌				
	3		┌	A 0 <u>2</u>	S e c	└	T 0 1
	4		└				

Procedure 2-7: Press '↑'		- 1	- 2 - 3	- 4 - 5	- 6 - 7 - 8	- Column	
	Line 1		┌	1	└		
	2	<u>1</u>	┌				
	3		┌	3 3 . 3 3	S e c	└	T 0 1
	4		└				

Procedure 2-8: Press 'SEL' (begin to edit data)		- 1	- 2 - 3	- 4 - 5	- 6 - 7 - 8	- Column
	Line 1		┌	1	└	
	2	<u>1</u>	┌			
	3		┌	3 3 . 3 3	S e c	└

	4 <u>L</u> o w ↓
--	------------------

Procedure 2-16A: Press 'SEL' (Begin to modify)	<table border="1"> <tr> <td></td> <td>1</td> <td>2</td> <td>3</td> <td>4</td> <td>5</td> <td>6</td> <td>7</td> <td>8</td> <td>Column</td> </tr> <tr> <td>Line 1</td> <td></td> <td></td> <td></td> <td>4</td> <td></td> <td></td> <td></td> <td></td> <td></td> </tr> <tr> <td>2</td> <td></td> <td>2</td> <td></td> <td></td> <td></td> <td></td> <td></td> <td></td> <td></td> </tr> <tr> <td>3</td> <td></td> <td></td> <td>3</td> <td>3</td> <td>.</td> <td>3</td> <td>3</td> <td>S e c</td> <td>T 0 1</td> </tr> <tr> <td>4</td> <td></td> <td><u>I</u></td> <td>0</td> <td>1</td> <td></td> <td></td> <td></td> <td></td> <td></td> </tr> </table>		1	2	3	4	5	6	7	8	Column	Line 1				4						2		2								3			3	3	.	3	3	S e c	T 0 1	4		<u>I</u>	0	1					
	1	2	3	4	5	6	7	8	Column																																										
Line 1				4																																															
2		2																																																	
3			3	3	.	3	3	S e c	T 0 1																																										
4		<u>I</u>	0	1																																															

Repeat the step 2-16A, the following screen will be shown in turn:

Procedure 2-16B: Press 'SEL'	<table border="1"> <tr> <td></td> <td>1</td> <td>2</td> <td>3</td> <td>4</td> <td>5</td> <td>6</td> <td>7</td> <td>8</td> <td>Column</td> </tr> <tr> <td>Line 1</td> <td></td> <td></td> <td></td> <td>4</td> <td></td> <td></td> <td></td> <td></td> <td></td> </tr> <tr> <td>2</td> <td></td> <td>2</td> <td></td> <td></td> <td></td> <td></td> <td></td> <td></td> <td></td> </tr> <tr> <td>3</td> <td></td> <td></td> <td>3</td> <td>3</td> <td>.</td> <td>3</td> <td>3</td> <td>S e c</td> <td>T 0 1</td> </tr> <tr> <td>4</td> <td></td> <td><u>i</u></td> <td>0</td> <td>1</td> <td></td> <td></td> <td></td> <td></td> <td></td> </tr> </table>		1	2	3	4	5	6	7	8	Column	Line 1				4						2		2								3			3	3	.	3	3	S e c	T 0 1	4		<u>i</u>	0	1					
	1	2	3	4	5	6	7	8	Column																																										
Line 1				4																																															
2		2																																																	
3			3	3	.	3	3	S e c	T 0 1																																										
4		<u>i</u>	0	1																																															

Procedure 2-16C: Press 'SEL'	<table border="1"> <tr> <td></td> <td>1</td> <td>2</td> <td>3</td> <td>4</td> <td>5</td> <td>6</td> <td>7</td> <td>8</td> <td>Column</td> </tr> <tr> <td>Line 1</td> <td></td> <td></td> <td></td> <td>4</td> <td></td> <td></td> <td></td> <td></td> <td></td> </tr> <tr> <td>2</td> <td></td> <td>2</td> <td></td> <td></td> <td></td> <td></td> <td></td> <td></td> <td></td> </tr> <tr> <td>3</td> <td></td> <td></td> <td>3</td> <td>3</td> <td>.</td> <td>3</td> <td>3</td> <td>S e c</td> <td>T 0 1</td> </tr> <tr> <td>4</td> <td></td> <td><u>L</u></td> <td>o</td> <td>w</td> <td></td> <td></td> <td></td> <td></td> <td></td> </tr> </table>		1	2	3	4	5	6	7	8	Column	Line 1				4						2		2								3			3	3	.	3	3	S e c	T 0 1	4		<u>L</u>	o	w					
	1	2	3	4	5	6	7	8	Column																																										
Line 1				4																																															
2		2																																																	
3			3	3	.	3	3	S e c	T 0 1																																										
4		<u>L</u>	o	w																																															

Next to step 2-16A, then '↑', the following screen will be shown.

Procedure 2-17: Press '↑' for 5 times (Press 'SEL' + '↑/↓' to change I to M)	<table border="1"> <tr> <td></td> <td>1</td> <td>2</td> <td>3</td> <td>4</td> <td>5</td> <td>6</td> <td>7</td> <td>8</td> <td>Column</td> </tr> <tr> <td>Line 1</td> <td></td> <td></td> <td></td> <td>4</td> <td></td> <td></td> <td></td> <td></td> <td></td> </tr> <tr> <td>2</td> <td></td> <td>2</td> <td></td> <td></td> <td></td> <td></td> <td></td> <td></td> <td></td> </tr> <tr> <td>3</td> <td></td> <td></td> <td>3</td> <td>3</td> <td>.</td> <td>3</td> <td>3</td> <td>S e c</td> <td>T 0 1</td> </tr> <tr> <td>4</td> <td></td> <td><u>M</u></td> <td>0</td> <td>1</td> <td></td> <td></td> <td></td> <td></td> <td></td> </tr> </table>		1	2	3	4	5	6	7	8	Column	Line 1				4						2		2								3			3	3	.	3	3	S e c	T 0 1	4		<u>M</u>	0	1					
	1	2	3	4	5	6	7	8	Column																																										
Line 1				4																																															
2		2																																																	
3			3	3	.	3	3	S e c	T 0 1																																										
4		<u>M</u>	0	1																																															

Procedure 2-18: Press '→' 2 times (Press 'SEL' + '← →' to move the cursor to digital location)	<table border="1"> <tr> <td></td> <td>1</td> <td>2</td> <td>3</td> <td>4</td> <td>5</td> <td>6</td> <td>7</td> <td>8</td> <td>Column</td> </tr> <tr> <td>Line 1</td> <td></td> <td></td> <td></td> <td>4</td> <td></td> <td></td> <td></td> <td></td> <td></td> </tr> <tr> <td>2</td> <td></td> <td>2</td> <td></td> <td></td> <td></td> <td></td> <td></td> <td></td> <td></td> </tr> <tr> <td>3</td> <td></td> <td></td> <td>3</td> <td>3</td> <td>.</td> <td>3</td> <td>3</td> <td>S e c</td> <td>T 0 1</td> </tr> <tr> <td>4</td> <td></td> <td>M</td> <td>0</td> <td><u>1</u></td> <td></td> <td></td> <td></td> <td></td> <td></td> </tr> </table>		1	2	3	4	5	6	7	8	Column	Line 1				4						2		2								3			3	3	.	3	3	S e c	T 0 1	4		M	0	<u>1</u>					
	1	2	3	4	5	6	7	8	Column																																										
Line 1				4																																															
2		2																																																	
3			3	3	.	3	3	S e c	T 0 1																																										
4		M	0	<u>1</u>																																															

Procedure 2-19: Press '↑' for 3 times (Press 'SEL' + '↑ ↓' to change '1' to '4')	<table border="1"> <tr> <td></td> <td>1</td> <td>2</td> <td>3</td> <td>4</td> <td>5</td> <td>6</td> <td>7</td> <td>8</td> <td>Column</td> </tr> <tr> <td>Line 1</td> <td></td> <td></td> <td></td> <td>4</td> <td></td> <td></td> <td></td> <td></td> <td></td> </tr> <tr> <td>2</td> <td></td> <td>2</td> <td></td> <td></td> <td></td> <td></td> <td></td> <td></td> <td></td> </tr> <tr> <td>3</td> <td></td> <td></td> <td>3</td> <td>3</td> <td>.</td> <td>3</td> <td>3</td> <td>S e c</td> <td>T 0 1</td> </tr> <tr> <td>4</td> <td></td> <td>M</td> <td>0</td> <td><u>4</u></td> <td></td> <td></td> <td></td> <td></td> <td></td> </tr> </table>		1	2	3	4	5	6	7	8	Column	Line 1				4						2		2								3			3	3	.	3	3	S e c	T 0 1	4		M	0	<u>4</u>					
	1	2	3	4	5	6	7	8	Column																																										
Line 1				4																																															
2		2																																																	
3			3	3	.	3	3	S e c	T 0 1																																										
4		M	0	<u>4</u>																																															

Procedure 2-20: Press 'OK' (save the input data)	<table border="1"> <tr> <td></td> <td>1</td> <td>2</td> <td>3</td> <td>4</td> <td>5</td> <td>6</td> <td>7</td> <td>8</td> <td>Column</td> </tr> <tr> <td>Line 1</td> <td></td> <td></td> <td></td> <td>4</td> <td></td> <td></td> <td></td> <td></td> <td></td> </tr> <tr> <td>2</td> <td></td> <td>2</td> <td></td> <td></td> <td></td> <td></td> <td></td> <td></td> <td></td> </tr> <tr> <td>3</td> <td></td> <td></td> <td>3</td> <td>3</td> <td>.</td> <td>3</td> <td>3</td> <td>S e c</td> <td>T 0 1</td> </tr> </table>		1	2	3	4	5	6	7	8	Column	Line 1				4						2		2								3			3	3	.	3	3	S e c	T 0 1
	1	2	3	4	5	6	7	8	Column																																
Line 1				4																																					
2		2																																							
3			3	3	.	3	3	S e c	T 0 1																																

	4 M 0 4 ↵
--	---------------

<p>Procedure 2-21: Press '↑' (Move the cursor to preset action value area to repeat the step 2-1)</p>	<table border="1"> <tr> <td style="width: 10%;"></td> <td style="width: 15%;">1</td> <td style="width: 15%;">2 3</td> <td style="width: 15%;">4 5</td> <td style="width: 15%;">6 7 8</td> <td style="width: 10%;">Column</td> </tr> <tr> <td>Line 1</td> <td></td> <td style="text-align: center;">4</td> <td></td> <td></td> <td></td> </tr> <tr> <td>2</td> <td></td> <td style="text-align: center;">2</td> <td></td> <td></td> <td></td> </tr> <tr> <td>3</td> <td></td> <td style="text-align: center;">3</td> <td style="text-align: center;">3 . 3 3</td> <td style="text-align: center;">S e c</td> <td style="text-align: center;">T 0 1</td> </tr> <tr> <td>4</td> <td>M 0 4</td> <td style="text-align: center;"> </td> <td></td> <td></td> <td></td> </tr> </table>		1	2 3	4 5	6 7 8	Column	Line 1		4				2		2				3		3	3 . 3 3	S e c	T 0 1	4	M 0 4				
	1	2 3	4 5	6 7 8	Column																										
Line 1		4																													
2		2																													
3		3	3 . 3 3	S e c	T 0 1																										
4	M 0 4																														

<p>Procedure 2-22: Press '↑' (Move the cursor to position '2' to repeat the 2-8)</p>	<table border="1"> <tr> <td style="width: 10%;"></td> <td style="width: 15%;">1</td> <td style="width: 15%;">2 3</td> <td style="width: 15%;">4 5</td> <td style="width: 15%;">6 7 8</td> <td style="width: 10%;">Column</td> </tr> <tr> <td>Line 1</td> <td></td> <td style="text-align: center;">4</td> <td></td> <td></td> <td></td> </tr> <tr> <td>2</td> <td></td> <td style="text-align: center;">2</td> <td></td> <td></td> <td></td> </tr> <tr> <td>3</td> <td></td> <td style="text-align: center;">3</td> <td style="text-align: center;">3 . 3 3</td> <td style="text-align: center;">S e c</td> <td style="text-align: center;">T 0 1</td> </tr> <tr> <td>4</td> <td>M 0 4</td> <td style="text-align: center;"> </td> <td></td> <td></td> <td></td> </tr> </table>		1	2 3	4 5	6 7 8	Column	Line 1		4				2		2				3		3	3 . 3 3	S e c	T 0 1	4	M 0 4				
	1	2 3	4 5	6 7 8	Column																										
Line 1		4																													
2		2																													
3		3	3 . 3 3	S e c	T 0 1																										
4	M 0 4																														

The detail operation of modify the analog comparator Ax, Ay:

	<table border="1"> <tr> <td style="width: 10%;"></td> <td style="width: 15%;">1</td> <td style="width: 15%;">2 3</td> <td style="width: 15%;">4 5</td> <td style="width: 15%;">6 7 8</td> <td style="width: 10%;">column</td> </tr> <tr> <td>Line 1</td> <td></td> <td style="text-align: center;">1</td> <td></td> <td></td> <td></td> </tr> <tr> <td>2</td> <td></td> <td style="text-align: center;"> </td> <td style="text-align: center;">A 0 1</td> <td style="text-align: center;">V</td> <td style="text-align: center;"> </td> </tr> <tr> <td>3</td> <td></td> <td style="text-align: center;"> </td> <td style="text-align: center;">A 0 2</td> <td style="text-align: center;">V</td> <td style="text-align: center;">G 0 1</td> </tr> <tr> <td>4</td> <td></td> <td style="text-align: center;"> </td> <td style="text-align: center;">0 0 . 0 0</td> <td style="text-align: center;">V</td> <td style="text-align: center;"> </td> </tr> </table>		1	2 3	4 5	6 7 8	column	Line 1		1				2			A 0 1	V		3			A 0 2	V	G 0 1	4			0 0 . 0 0	V	
	1	2 3	4 5	6 7 8	column																										
Line 1		1																													
2			A 0 1	V																											
3			A 0 2	V	G 0 1																										
4			0 0 . 0 0	V																											

<p>step 2-23: Press '←', press 'SEL' (press '↑↓', Select A01-A08)</p>	<table border="1"> <tr> <td style="width: 10%;"></td> <td style="width: 15%;">1</td> <td style="width: 15%;">2 3</td> <td style="width: 15%;">4 5</td> <td style="width: 15%;">6 7 8</td> <td style="width: 10%;">column</td> </tr> <tr> <td>line 1</td> <td></td> <td style="text-align: center;">1</td> <td></td> <td></td> <td></td> </tr> <tr> <td>2</td> <td></td> <td style="text-align: center;"> </td> <td style="text-align: center;">A 0 1</td> <td style="text-align: center;">V</td> <td style="text-align: center;"> </td> </tr> <tr> <td>3</td> <td></td> <td style="text-align: center;"> </td> <td style="text-align: center;">A 0 2</td> <td style="text-align: center;">V</td> <td style="text-align: center;">G 0 1</td> </tr> <tr> <td>4</td> <td></td> <td style="text-align: center;"> </td> <td style="text-align: center;">0 0 . 0 0</td> <td style="text-align: center;">V</td> <td style="text-align: center;"> </td> </tr> </table>		1	2 3	4 5	6 7 8	column	line 1		1				2			A 0 1	V		3			A 0 2	V	G 0 1	4			0 0 . 0 0	V	
	1	2 3	4 5	6 7 8	column																										
line 1		1																													
2			A 0 1	V																											
3			A 0 2	V	G 0 1																										
4			0 0 . 0 0	V																											

<p>Step 2-24: Press '←', Press 'SEL' (press 'SEL' Select A02 – T01 – C01–AT01–AQ01–DR01–AS01–MD01–PI01–MX01–AR01–00.00–V01–A01)</p>	<table border="1"> <tr> <td style="width: 10%;"></td> <td style="width: 15%;">1</td> <td style="width: 15%;">2 3</td> <td style="width: 15%;">4 5</td> <td style="width: 15%;">6 7 8</td> <td style="width: 10%;">column</td> </tr> <tr> <td>line 1</td> <td></td> <td style="text-align: center;">1</td> <td></td> <td></td> <td></td> </tr> <tr> <td>2</td> <td></td> <td style="text-align: center;"> </td> <td style="text-align: center;">A 0 1</td> <td style="text-align: center;">V</td> <td style="text-align: center;"> </td> </tr> <tr> <td>3</td> <td></td> <td style="text-align: center;"> </td> <td style="text-align: center;">T 0 1</td> <td style="text-align: center;">V</td> <td style="text-align: center;">G 0 1</td> </tr> <tr> <td>4</td> <td></td> <td style="text-align: center;"> </td> <td style="text-align: center;">0 0 . 0 0</td> <td style="text-align: center;">V</td> <td style="text-align: center;"> </td> </tr> </table>		1	2 3	4 5	6 7 8	column	line 1		1				2			A 0 1	V		3			T 0 1	V	G 0 1	4			0 0 . 0 0	V	
	1	2 3	4 5	6 7 8	column																										
line 1		1																													
2			A 0 1	V																											
3			T 0 1	V	G 0 1																										
4			0 0 . 0 0	V																											

<p>Step 2-25: Press '→', press '↑' (Select T01~T1F, C01~C1F, A01~A08, V01~V08...)</p>	<table border="1"> <tr> <td style="width: 10%;"></td> <td style="width: 15%;">1</td> <td style="width: 15%;">2 3</td> <td style="width: 15%;">4 5</td> <td style="width: 15%;">6 7 8</td> <td style="width: 10%;">column</td> </tr> <tr> <td>line 1</td> <td></td> <td style="text-align: center;">1</td> <td></td> <td></td> <td></td> </tr> <tr> <td>2</td> <td></td> <td style="text-align: center;"> </td> <td style="text-align: center;">A 0 1</td> <td style="text-align: center;">V</td> <td style="text-align: center;"> </td> </tr> <tr> <td>3</td> <td></td> <td style="text-align: center;"> </td> <td style="text-align: center;">T 0 2</td> <td style="text-align: center;">V</td> <td style="text-align: center;">G 0 1</td> </tr> <tr> <td>4</td> <td></td> <td style="text-align: center;"> </td> <td style="text-align: center;">0 0 . 0 0</td> <td style="text-align: center;">V</td> <td style="text-align: center;"> </td> </tr> </table>		1	2 3	4 5	6 7 8	column	line 1		1				2			A 0 1	V		3			T 0 2	V	G 0 1	4			0 0 . 0 0	V	
	1	2 3	4 5	6 7 8	column																										
line 1		1																													
2			A 0 1	V																											
3			T 0 2	V	G 0 1																										
4			0 0 . 0 0	V																											

<p>Step 2-26: Press 'OK' Save the present data</p>	<table border="1"> <tr> <td style="width: 10%;"></td> <td style="width: 15%;">1</td> <td style="width: 15%;">2 3</td> <td style="width: 15%;">4 5</td> <td style="width: 15%;">6 7 8</td> <td style="width: 10%;">column</td> </tr> <tr> <td>line 1</td> <td></td> <td style="text-align: center;">1</td> <td></td> <td></td> <td></td> </tr> <tr> <td>2</td> <td></td> <td style="text-align: center;"> </td> <td style="text-align: center;">A 0 1</td> <td style="text-align: center;">V</td> <td style="text-align: center;"> </td> </tr> <tr> <td>3</td> <td></td> <td style="text-align: center;"> </td> <td style="text-align: center;">T 0 2</td> <td style="text-align: center;">V</td> <td style="text-align: center;">G 0 1</td> </tr> <tr> <td>4</td> <td></td> <td style="text-align: center;"> </td> <td style="text-align: center;">0 0 . 0 0</td> <td style="text-align: center;">V</td> <td style="text-align: center;"> </td> </tr> </table>		1	2 3	4 5	6 7 8	column	line 1		1				2			A 0 1	V		3			T 0 2	V	G 0 1	4			0 0 . 0 0	V	
	1	2 3	4 5	6 7 8	column																										
line 1		1																													
2			A 0 1	V																											
3			T 0 2	V	G 0 1																										
4			0 0 . 0 0	V																											

Continue to input Function Block

Method1: Next Function Block

	1	2	3	4	5	6	7	8	Column	
Line 1			4							
2		2	}							
3				3	3	.	3	3	S e c	T 0 1
4	M	0		4						

Press 'SEL+↑' (Simultaneously)	1	2	3	4	5	6	7	8	Column	
Line 1			1							
2		1	}							
3				0	0	.	0	0	S e c	T 0 2
4										

Last Function Block

	1	2	3	4	5	6	7	8	Column	
Line 1			4							
2		2	}							
3				3	3	.	3	3	S e c	T 0 1
4	M	0		4						

Press 'SEL+↓' (Simultaneously)	1	2	3	4	5	6	7	8	Column	
v 1			1							
2		1	}							
3				0	0	.	0	0	S e c	T 1 F
4										

Method 2: Next Function Block

	1	2	3	4	5	6	7	8	Column	
Line 1			4							
2		2	}							
3				3	3	.	3	3	S e c	T 0 1
4	M	0		4						

Press '→' 1 times	1	2	3	4	5	6	7	8	Column	
Line 1			4							
2		2	}							
3				3	3	.	3	3	S e c	T 0 1
4	M	0		4						

Press 'SEL'	1	2	3	4	5	6	7	8	Column	
Line 1			4							
2		2	}							
3				3	3	.	3	3	S e c	T <u>0</u> 1
4	M	0		4						

Press '↓' or '↑' 1 times	<table border="1"> <tr> <td></td> <td>-1</td> <td>-2-3</td> <td>-4-5</td> <td>-6-7-8</td> <td>Column</td> </tr> <tr> <td>v 1</td> <td></td> <td>4</td> <td></td> <td></td> <td></td> </tr> <tr> <td>2</td> <td>2</td> <td></td> <td></td> <td></td> <td></td> </tr> <tr> <td>3</td> <td></td> <td>3 3 . 3 3 S e c</td> <td></td> <td>T 1 1</td> <td></td> </tr> <tr> <td>4</td> <td>M 0 4</td> <td>↓</td> <td></td> <td></td> <td></td> </tr> </table>		-1	-2-3	-4-5	-6-7-8	Column	v 1		4				2	2					3		3 3 . 3 3 S e c		T 1 1		4	M 0 4	↓			
	-1	-2-3	-4-5	-6-7-8	Column																										
v 1		4																													
2	2																														
3		3 3 . 3 3 S e c		T 1 1																											
4	M 0 4	↓																													

Press '→' 1 times	<table border="1"> <tr> <td></td> <td>-1</td> <td>-2-3</td> <td>-4-5</td> <td>-6-7-8</td> <td>Column</td> </tr> <tr> <td>v 1</td> <td></td> <td>4</td> <td></td> <td></td> <td></td> </tr> <tr> <td>2</td> <td>2</td> <td></td> <td></td> <td></td> <td></td> </tr> <tr> <td>3</td> <td></td> <td>3 3 . 3 3 S e c</td> <td></td> <td>T 1 1</td> <td></td> </tr> <tr> <td>4</td> <td>M 0 4</td> <td>↓</td> <td></td> <td></td> <td></td> </tr> </table>		-1	-2-3	-4-5	-6-7-8	Column	v 1		4				2	2					3		3 3 . 3 3 S e c		T 1 1		4	M 0 4	↓			
	-1	-2-3	-4-5	-6-7-8	Column																										
v 1		4																													
2	2																														
3		3 3 . 3 3 S e c		T 1 1																											
4	M 0 4	↓																													

Press '↑' 4 times or Press '↓' 11 times	<table border="1"> <tr> <td></td> <td>-1</td> <td>-2-3</td> <td>-4-5</td> <td>-6-7-8</td> <td>Column</td> </tr> <tr> <td>v 1</td> <td></td> <td>4</td> <td></td> <td></td> <td></td> </tr> <tr> <td>2</td> <td>2</td> <td></td> <td></td> <td></td> <td></td> </tr> <tr> <td>3</td> <td></td> <td>3 3 . 3 3 S e c</td> <td></td> <td>T 1 6</td> <td></td> </tr> <tr> <td>4</td> <td>M 0 4</td> <td>↓</td> <td></td> <td></td> <td></td> </tr> </table>		-1	-2-3	-4-5	-6-7-8	Column	v 1		4				2	2					3		3 3 . 3 3 S e c		T 1 6		4	M 0 4	↓			
	-1	-2-3	-4-5	-6-7-8	Column																										
v 1		4																													
2	2																														
3		3 3 . 3 3 S e c		T 1 6																											
4	M 0 4	↓																													

Press 'OK'	<table border="1"> <tr> <td></td> <td>-1</td> <td>-2-3</td> <td>-4-5</td> <td>-6-7-8</td> <td>Column</td> </tr> <tr> <td>v 1</td> <td></td> <td>1</td> <td></td> <td></td> <td></td> </tr> <tr> <td>2</td> <td>2</td> <td></td> <td></td> <td></td> <td></td> </tr> <tr> <td>3</td> <td></td> <td>2 0 . 2 0 S e c</td> <td></td> <td>T 1 6</td> <td></td> </tr> <tr> <td>4</td> <td></td> <td>↓</td> <td></td> <td></td> <td></td> </tr> </table>		-1	-2-3	-4-5	-6-7-8	Column	v 1		1				2	2					3		2 0 . 2 0 S e c		T 1 6		4		↓			
	-1	-2-3	-4-5	-6-7-8	Column																										
v 1		1																													
2	2																														
3		2 0 . 2 0 S e c		T 1 6																											
4		↓																													

Clear Function Block


Press 'SEL+DEL' (Simultaneously) (‘ESC’: Cancel ; ‘OK’: Execute)	<table border="1"> <tr> <td></td> <td>-1</td> <td>-2-3</td> <td>-4-5</td> <td>-6-7-8</td> <td>Column</td> </tr> <tr> <td>Line 1</td> <td></td> <td>1</td> <td></td> <td></td> <td></td> </tr> <tr> <td>2</td> <td>2</td> <td></td> <td></td> <td></td> <td></td> </tr> <tr> <td>3</td> <td></td> <td>C L E A R B L O C K !</td> <td></td> <td></td> <td></td> </tr> <tr> <td>4</td> <td></td> <td>E S C ? O K ?</td> <td></td> <td></td> <td></td> </tr> </table>		-1	-2-3	-4-5	-6-7-8	Column	Line 1		1				2	2					3		C L E A R B L O C K !				4		E S C ? O K ?			
	-1	-2-3	-4-5	-6-7-8	Column																										
Line 1		1																													
2	2																														
3		C L E A R B L O C K !																													
4		E S C ? O K ?																													

Back to Main Menu:

Press 'ESC'	<table border="1"> <tr> <td></td> <td>-1</td> <td>-2-3</td> <td>-4-5</td> <td>-6-7-8</td> <td>Column</td> </tr> <tr> <td>Line 1</td> <td></td> <td>L A D D E R</td> <td></td> <td></td> <td></td> </tr> <tr> <td>2</td> <td>></td> <td>F U N . B L O C K</td> <td></td> <td></td> <td></td> </tr> <tr> <td>3</td> <td></td> <td>P A R A M E T E R</td> <td></td> <td></td> <td></td> </tr> <tr> <td>4</td> <td></td> <td>R U N</td> <td></td> <td></td> <td></td> </tr> </table>		-1	-2-3	-4-5	-6-7-8	Column	Line 1		L A D D E R				2	>	F U N . B L O C K				3		P A R A M E T E R				4		R U N			
	-1	-2-3	-4-5	-6-7-8	Column																										
Line 1		L A D D E R																													
2	>	F U N . B L O C K																													
3		P A R A M E T E R																													
4		R U N																													

Change Function Block Category:

	<table border="1"> <tr> <td></td> <td>-1</td> <td>-2-3</td> <td>-4-5</td> <td>-6-7-8</td> <td>Column</td> </tr> <tr> <td>Line 1</td> <td></td> <td>4</td> <td></td> <td></td> <td></td> </tr> <tr> <td>2</td> <td>1</td> <td></td> <td></td> <td></td> <td></td> </tr> <tr> <td>3</td> <td></td> <td>3 3 . 3 3 S e c</td> <td></td> <td>T 0 1</td> <td></td> </tr> <tr> <td>4</td> <td>M 0 4</td> <td>↓</td> <td></td> <td></td> <td></td> </tr> </table>		-1	-2-3	-4-5	-6-7-8	Column	Line 1		4				2	1					3		3 3 . 3 3 S e c		T 0 1		4	M 0 4	↓			
	-1	-2-3	-4-5	-6-7-8	Column																										
Line 1		4																													
2	1																														
3		3 3 . 3 3 S e c		T 0 1																											
4	M 0 4	↓																													



Method 1:

Move the cursor to change to T, C, R, G, H, L, P, S, AS, MD, PI, MX, AR, MU

Step 1: Press 'SEL'		1	2-3	4-5	6-7-8	Column
	Line	1	4			
	2	1				
	3		3 3 . 3 3 S e c			T 0 1
	4	M 0 4				

Step 2: Press 'SEL'		1	2-3	4-5	6-7-8	Column
	Line	1	1			
	2	L o w				
	3		0 0 0 0 0 0			C 0 1
	4	L o w				

Step 3: Press 'SEL'		1	2-3	4-5	6-7-8	Column
	Line	1	S u — S u			
	2	1				
	3		0 0 : 0 0			R 0 1
	4		0 0 : 0 0			

Step4: Press 'SEL'		1	2-3	4-5	6-7-8	Column
	Line	1	1			
	2		A 0 1 V			
	3		A 0 2 V			G 0 1
	4		0 0 . 0 0 V			

Step5: Press 'SEL'		1	2-3	4-5	6-7-8	Column
	Line	1	1			
	2					
	3					H 0 1
	4					

Step6: Press 'SEL'		1	2-3	4-5	6-7-8	Column
	Line	1	1			
	2	1	I 0 1 — I 0 1			
	3		↓ ↓			L 0 1
	4		W 0 9 — W 0 9			

Step 7: Press 'SEL'		1	2-3	4-5	6-7-8	Column
	Line	1	1			
	2	L o w				Q 0 1
	3	L o w	0 0 0 0 0 0			P 0 1
	4	L o w	0 0 0 0 0 1			

	1	2-3	4-5	6-7-8	Column
Step8: Press 'SEL'	Line 1	1			
	2	1			
	3	L o w	Q 0 1 — Q 0 1	S 0 1	
	4				

	1	2-3	4-5	6-7-8	Column
Step 9: Press 'SEL'	Line 1				
	2		0 0 0 0 0	N o p	
	3		0 0 0 0 0	A <u>S</u> 0 1	
	4		0 0 0 0 0		

	1	2-3	4-5	6-7-8	Column
Step 10: Press 'SEL'	Line 1				
	2		0 0 0 0 1	N o p	
	3		0 0 0 0 1	M <u>D</u> 0 1	
	4		0 0 0 0 1		

	1	2-3	4-5	6-7-8	Column
Step 11-A: Press 'SEL'	Line 1				
	2		0 0 0 0 0	N o p	
	3		0 0 0 0 0	P <u>I</u> 0 1	
	4		0 0 0 . 0 1		1

	1	2-3	4-5	6-7-8	Column
Step 11-B: Press 'SEL + →'	Line 1				
	2		0 0 0 0 1	N o p	
	3		0 0 0 0 . 1	P <u>I</u> 0 1	
	4		0 0 0 . 0 1		2

	1	2-3	4-5	6-7-8	Column
Step 12: Press 'SEL'	Line 1		0 0 0 0 0		
	2	L o w	0 0 0 0 0		
	3	L o w	0 0 0 0 0	M <u>X</u> 0 1	
	4		0 0 0 0 0		

	1	2-3	4-5	6-7-8	Column
Step 13-A: Press 'SEL'	Line 1				
	2	L o w	0 0 0 0 0	N o p	
	3	L o w	0 0 0 0 0	A <u>R</u> 0 1	
	4		0 1 0 0 0		1

	1	2-3	4-5	6-7-8	Column
Step 13-B: Press 'SEL + →'	Line 1		0 0 0 0 0		
	2	L o w	0 0 0 1 0	N o p	
	3	L o w	0 1 . 0 0	A <u>R</u> 0 1	
	4		0 0 0 0 0		2

	1	2-3	4-5	6-7-8	Column
Step 14: Press 'SEL'	Line 1	1			
	2		0 1		
	3	0 0 0 1		M U 0 1	
	4	D R 0 1			

	1	2-3	4-5	6-7-8	Column
Step 15: Press 'OK'	Line 1	1			
	2		0 1		
	3	0 0 0 1		M U 0 1	
	4	D R 0 1			

Method 2:

	1	2-3	4-5	6-7-8	Column
Step 1: Press 'SEL'	Line 1	4			
	2	2			
	3	3 3 . 3 3 S e c		T 0 1	
	4	M 0 4			

Press '↓'



	1	2-3	4-5	6-7-8	Column
Step 2:	Line 1	1			
	2	L o w			
	3		0 0 0 0 0 0	C 0 1	
	4	L o w			

Press '↓'



Press '↑'



	1	2-3	4-5	6-7-8	Column
Step 3:	Line 1	S u — S u			
	2	1			
	3		0 0 : 0 0	R 0 1	
	4		0 0 : 0 0		

Press '↓'



Press '↑'



	1	2-3	4-5	6-7-8	Column
Step 4:	Line 1	1			
	2		A 0 1 V		
	3		A 0 2 V		
	4		0 0 . 0 0 V	G 0 1	

Press '↓'



Press '↑'



	1	2-3	4-5	6-7-8	Column
Step 5:	Line 1	1			

	2				<u>H</u> 0 1	
	3					
	4					

Press '↓' ↑
 ↓ Press '↑'

Step6:

	1	2-3	4-5	6-7-8	Column
Line	1		1		
	2		1 0 1 — 1 0 1		
	3		↓ ↓		
	4		W 0 9 — W 0 9		<u>L</u> 0 1

Press '↓' ↑
 ↓ Press '↑'

Step 7:

	1	2-3	4-5	6-7-8	Column
Line	1		1		
	2		L o w		Q 0 1
	3		L o w		0 0 0 0 0
	4		L o w		0 0 0 0 0 1
					<u>P</u> 0 1

Press '↓' ↑
 ↓ Press '↑'

Step8:

	1	2-3	4-5	6-7-8	Column
Line	1		1		
	2		1		
	3		L o w		Q 0 1 — Q 0 1
	4				<u>S</u> 0 1

Press '↓' ↑
 ↓ Press '↑'

Step 9:

	1	2-3	4-5	6-7-8	Column
Line	1				
	2		0 0 0 0 0		N o p
	3		0 0 0 0 0		A <u>S</u> 0 1
	4		0 0 0 0 0		

Press '↓' ↑
 ↓ Press '↑'

Step 10:

	1	2-3	4-5	6-7-8	Column
Line	1				
	2		0 0 0 0 1		N o p
	3		0 0 0 0 1		M D 0 1
	4		0 0 0 0 1		

Press '↓' ↑
 ↓ Press '↑'

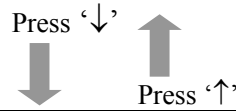
Step 11-A:

	1	2-3	4-5	6-7-8	Column
Line	1		γ		γ

	2	0 0 0 0 0	N o p
	3	0 0 0 0 0	P <u>I</u> 0 1
	4	0 0 0 . 0 1	1

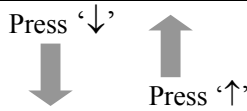
Step 11-B:
Press 'SEL + →'

Line	1	2-3	4-5	6-7-8	Column
1					
2		0 0 0 0 1		N o p	
3		0 0 0 0 . 1		P <u>I</u> 0 1	
4		0 0 0 . 0 1			2



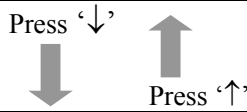
Step 12:

Line	1	2-3	4-5	6-7-8	Column
1		0 0 0 0 0			
2	L o w	0 0 0 0 0			
3	L o w	0 0 0 0 0		M <u>X</u> 0 1	
4		0 0 0 0 0			



Step 13-A:

Line	1	2-3	4-5	6-7-8	Column
1		0 0 0 0 0			
2	L o w	0 0 0 0 0		N o p	
3	L o w	0 0 0 0 0		A <u>R</u> 0 1	
4		0 1 0 0 0			1



Step 13-B:
Press 'SEL + →'

Line	1	2-3	4-5	6-7-8	Column
1		0 0 0 0 0			
2	L o w	0 0 0 1 0		N o p	
3	L o w	0 1 . 0 0		A <u>R</u> 0 1	
4		0 0 0 0 0			2

Step 14:

Line	1	2-3	4-5	6-7-8	Column
1		1			
2			0 1		
3		0 0 0 1		M <u>U</u> 0 1	
4		D R 0 1			



Jump from T01 to T09

Step 15:
Press '→'

Line	1	2-3	4-5	6-7-8	Column
1		4			
2		2			

	<table border="1" style="width: 100%; border-collapse: collapse;"> <tr> <td style="width: 10%; text-align: center;">3</td> <td style="width: 10%;"></td> <td style="width: 10%; text-align: center;">3</td> <td style="width: 10%; text-align: center;">3</td> <td style="width: 10%; text-align: center;">.</td> <td style="width: 10%; text-align: center;">3</td> <td style="width: 10%; text-align: center;">3</td> <td style="width: 10%; text-align: center;">S</td> <td style="width: 10%; text-align: center;">e</td> <td style="width: 10%; text-align: center;">c</td> <td style="width: 10%; text-align: center;">T</td> <td style="width: 10%; text-align: center;">0</td> <td style="width: 10%; text-align: center;">1</td> </tr> <tr> <td style="text-align: center;">4</td> <td style="text-align: center;">M</td> <td style="text-align: center;">0</td> <td style="text-align: center;">4</td> <td style="text-align: center;">↓</td> <td colspan="7"></td> <td style="text-align: center;">↓</td> </tr> </table>	3		3	3	.	3	3	S	e	c	T	0	1	4	M	0	4	↓								↓
3		3	3	.	3	3	S	e	c	T	0	1															
4	M	0	4	↓								↓															

<p>Step 16: Press '↑' 8 times or Press '↓' 7 times</p>	<table border="1" style="width: 100%; border-collapse: collapse;"> <tr> <td style="width: 10%;"></td> <td style="width: 10%; text-align: center;">1</td> <td style="width: 10%; text-align: center;">2</td> <td style="width: 10%; text-align: center;">3</td> <td style="width: 10%; text-align: center;">4</td> <td style="width: 10%; text-align: center;">5</td> <td style="width: 10%; text-align: center;">6</td> <td style="width: 10%; text-align: center;">7</td> <td style="width: 10%; text-align: center;">8</td> <td style="width: 10%; text-align: right;">Column</td> </tr> <tr> <td style="text-align: right;">Line</td> <td style="text-align: center;">1</td> <td colspan="7" rowspan="4" style="border: 1px solid black; padding: 5px;"> <table style="width: 100%; border-collapse: collapse;"> <tr> <td style="width: 10%;"></td> <td style="width: 10%;"></td> <td style="width: 10%; text-align: center;">4</td> <td colspan="5"></td> <td style="width: 10%;"></td> </tr> <tr> <td style="text-align: center;">2</td> <td style="text-align: center;">2</td> <td style="text-align: center;">↓</td> <td colspan="7"></td> <td style="text-align: center;">↓</td> </tr> <tr> <td style="text-align: center;">3</td> <td colspan="2"></td> <td style="text-align: center;">3</td> <td style="text-align: center;">3</td> <td style="text-align: center;">.</td> <td style="text-align: center;">3</td> <td style="text-align: center;">3</td> <td style="text-align: center;">S</td> <td style="text-align: center;">e</td> <td style="text-align: center;">c</td> <td style="text-align: center;">T</td> <td style="text-align: center;">0</td> <td style="text-align: center;">9</td> </tr> <tr> <td style="text-align: center;">4</td> <td style="text-align: center;">M</td> <td style="text-align: center;">0</td> <td style="text-align: center;">4</td> <td style="text-align: center;">↓</td> <td colspan="7"></td> <td style="text-align: center;">↓</td> </tr> </table> </td> <td style="text-align: center;">9</td> </tr> </table>		1	2	3	4	5	6	7	8	Column	Line	1	<table style="width: 100%; border-collapse: collapse;"> <tr> <td style="width: 10%;"></td> <td style="width: 10%;"></td> <td style="width: 10%; text-align: center;">4</td> <td colspan="5"></td> <td style="width: 10%;"></td> </tr> <tr> <td style="text-align: center;">2</td> <td style="text-align: center;">2</td> <td style="text-align: center;">↓</td> <td colspan="7"></td> <td style="text-align: center;">↓</td> </tr> <tr> <td style="text-align: center;">3</td> <td colspan="2"></td> <td style="text-align: center;">3</td> <td style="text-align: center;">3</td> <td style="text-align: center;">.</td> <td style="text-align: center;">3</td> <td style="text-align: center;">3</td> <td style="text-align: center;">S</td> <td style="text-align: center;">e</td> <td style="text-align: center;">c</td> <td style="text-align: center;">T</td> <td style="text-align: center;">0</td> <td style="text-align: center;">9</td> </tr> <tr> <td style="text-align: center;">4</td> <td style="text-align: center;">M</td> <td style="text-align: center;">0</td> <td style="text-align: center;">4</td> <td style="text-align: center;">↓</td> <td colspan="7"></td> <td style="text-align: center;">↓</td> </tr> </table>									4							2	2	↓								↓	3			3	3	.	3	3	S	e	c	T	0	9	4	M	0	4	↓								↓	9
	1	2	3	4	5	6	7	8	Column																																																											
Line	1	<table style="width: 100%; border-collapse: collapse;"> <tr> <td style="width: 10%;"></td> <td style="width: 10%;"></td> <td style="width: 10%; text-align: center;">4</td> <td colspan="5"></td> <td style="width: 10%;"></td> </tr> <tr> <td style="text-align: center;">2</td> <td style="text-align: center;">2</td> <td style="text-align: center;">↓</td> <td colspan="7"></td> <td style="text-align: center;">↓</td> </tr> <tr> <td style="text-align: center;">3</td> <td colspan="2"></td> <td style="text-align: center;">3</td> <td style="text-align: center;">3</td> <td style="text-align: center;">.</td> <td style="text-align: center;">3</td> <td style="text-align: center;">3</td> <td style="text-align: center;">S</td> <td style="text-align: center;">e</td> <td style="text-align: center;">c</td> <td style="text-align: center;">T</td> <td style="text-align: center;">0</td> <td style="text-align: center;">9</td> </tr> <tr> <td style="text-align: center;">4</td> <td style="text-align: center;">M</td> <td style="text-align: center;">0</td> <td style="text-align: center;">4</td> <td style="text-align: center;">↓</td> <td colspan="7"></td> <td style="text-align: center;">↓</td> </tr> </table>									4											2	2	↓								↓	3			3	3	.	3	3	S	e	c	T	0	9	4	M	0	4	↓								↓	9								
									4																																																											
2	2								↓								↓																																																			
3									3	3	.	3	3	S	e	c	T	0	9																																																	
4	M	0	4	↓								↓																																																								

<p>Step 17: Press 'OK'</p>	<table border="1" style="width: 100%; border-collapse: collapse;"> <tr> <td style="width: 10%;"></td> <td style="width: 10%; text-align: center;">1</td> <td style="width: 10%; text-align: center;">2</td> <td style="width: 10%; text-align: center;">3</td> <td style="width: 10%; text-align: center;">4</td> <td style="width: 10%; text-align: center;">5</td> <td style="width: 10%; text-align: center;">6</td> <td style="width: 10%; text-align: center;">7</td> <td style="width: 10%; text-align: center;">8</td> <td style="width: 10%; text-align: right;">Column</td> </tr> <tr> <td style="text-align: right;">Line</td> <td style="text-align: center;">1</td> <td colspan="7" rowspan="4" style="border: 1px solid black; padding: 5px;"> <table style="width: 100%; border-collapse: collapse;"> <tr> <td style="width: 10%;"></td> <td style="width: 10%;"></td> <td style="width: 10%; text-align: center;">4</td> <td colspan="5"></td> <td style="width: 10%;"></td> </tr> <tr> <td style="text-align: center;">2</td> <td style="text-align: center;">2</td> <td style="text-align: center;">↓</td> <td colspan="7"></td> <td style="text-align: center;">↓</td> </tr> <tr> <td style="text-align: center;">3</td> <td colspan="2"></td> <td style="text-align: center;">3</td> <td style="text-align: center;">3</td> <td style="text-align: center;">.</td> <td style="text-align: center;">3</td> <td style="text-align: center;">3</td> <td style="text-align: center;">S</td> <td style="text-align: center;">e</td> <td style="text-align: center;">c</td> <td style="text-align: center;">T</td> <td style="text-align: center;">0</td> <td style="text-align: center;">9</td> </tr> <tr> <td style="text-align: center;">4</td> <td style="text-align: center;">M</td> <td style="text-align: center;">0</td> <td style="text-align: center;">4</td> <td style="text-align: center;">↓</td> <td colspan="7"></td> <td style="text-align: center;">↓</td> </tr> </table> </td> <td style="text-align: center;">9</td> </tr> </table>		1	2	3	4	5	6	7	8	Column	Line	1	<table style="width: 100%; border-collapse: collapse;"> <tr> <td style="width: 10%;"></td> <td style="width: 10%;"></td> <td style="width: 10%; text-align: center;">4</td> <td colspan="5"></td> <td style="width: 10%;"></td> </tr> <tr> <td style="text-align: center;">2</td> <td style="text-align: center;">2</td> <td style="text-align: center;">↓</td> <td colspan="7"></td> <td style="text-align: center;">↓</td> </tr> <tr> <td style="text-align: center;">3</td> <td colspan="2"></td> <td style="text-align: center;">3</td> <td style="text-align: center;">3</td> <td style="text-align: center;">.</td> <td style="text-align: center;">3</td> <td style="text-align: center;">3</td> <td style="text-align: center;">S</td> <td style="text-align: center;">e</td> <td style="text-align: center;">c</td> <td style="text-align: center;">T</td> <td style="text-align: center;">0</td> <td style="text-align: center;">9</td> </tr> <tr> <td style="text-align: center;">4</td> <td style="text-align: center;">M</td> <td style="text-align: center;">0</td> <td style="text-align: center;">4</td> <td style="text-align: center;">↓</td> <td colspan="7"></td> <td style="text-align: center;">↓</td> </tr> </table>									4							2	2	↓								↓	3			3	3	.	3	3	S	e	c	T	0	9	4	M	0	4	↓								↓	9
	1	2	3	4	5	6	7	8	Column																																																											
Line	1	<table style="width: 100%; border-collapse: collapse;"> <tr> <td style="width: 10%;"></td> <td style="width: 10%;"></td> <td style="width: 10%; text-align: center;">4</td> <td colspan="5"></td> <td style="width: 10%;"></td> </tr> <tr> <td style="text-align: center;">2</td> <td style="text-align: center;">2</td> <td style="text-align: center;">↓</td> <td colspan="7"></td> <td style="text-align: center;">↓</td> </tr> <tr> <td style="text-align: center;">3</td> <td colspan="2"></td> <td style="text-align: center;">3</td> <td style="text-align: center;">3</td> <td style="text-align: center;">.</td> <td style="text-align: center;">3</td> <td style="text-align: center;">3</td> <td style="text-align: center;">S</td> <td style="text-align: center;">e</td> <td style="text-align: center;">c</td> <td style="text-align: center;">T</td> <td style="text-align: center;">0</td> <td style="text-align: center;">9</td> </tr> <tr> <td style="text-align: center;">4</td> <td style="text-align: center;">M</td> <td style="text-align: center;">0</td> <td style="text-align: center;">4</td> <td style="text-align: center;">↓</td> <td colspan="7"></td> <td style="text-align: center;">↓</td> </tr> </table>									4											2	2	↓								↓	3			3	3	.	3	3	S	e	c	T	0	9	4	M	0	4	↓								↓	9								
									4																																																											
2	2								↓								↓																																																			
3									3	3	.	3	3	S	e	c	T	0	9																																																	
4	M	0	4	↓								↓																																																								